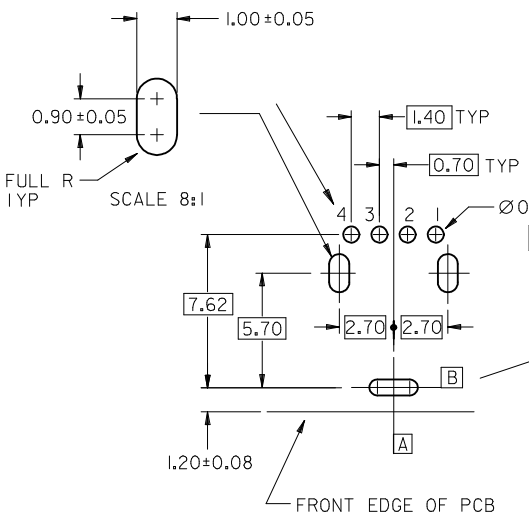
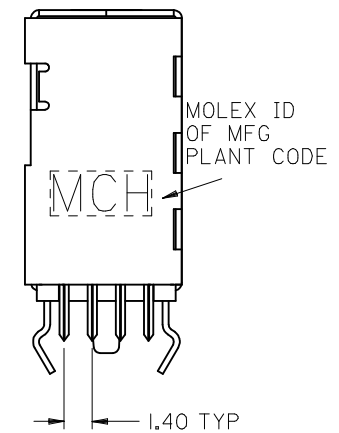
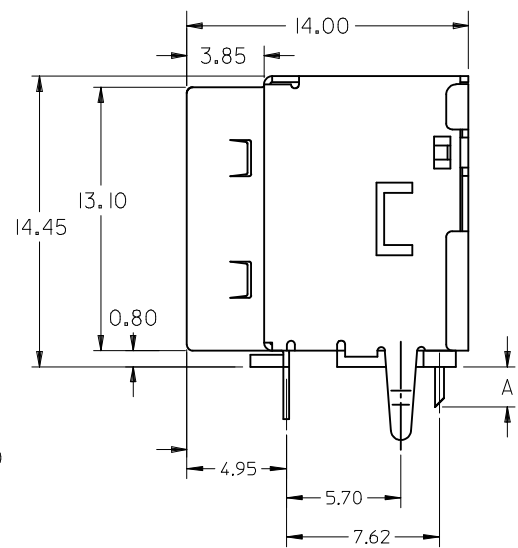
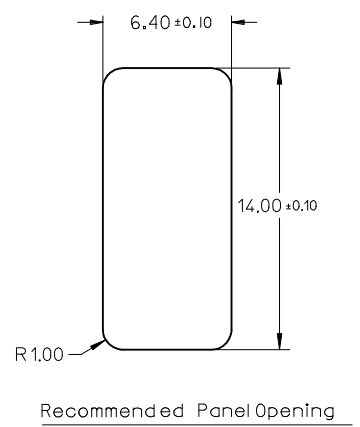
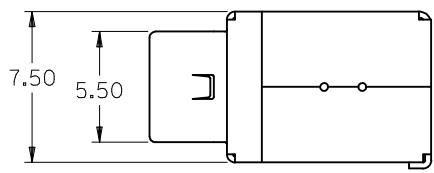
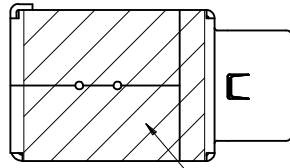


DIMENSION*A*	P/N	PLATING	TERMINAL CONTACT PLATING	TERMINAL SOLDER PLATING	METAL SHELL PLATING
2.00 ^{+0.35} _{-0.15}	89485-8000	SEE NOTES(a)+(d)	GOLD FLASH	75 MICRO INCH BRIGHT TIN	100 MICRO INCH BRIGHT TIN
	89485-8001	SEE NOTES(b)+(d)	30 MICRO INCH GOLD		
▽ 2.50 ^{+0.35} _{-0.10}	89485-8002	SEE NOTES(a)+(d)	GOLD FLASH	75 MICRO INCH MATTE TIN	100 MICRO INCH MATTE TIN
	89485-8003	SEE NOTES(b)+(d)	30 MICRO INCH GOLD		
	89485-8012	SEE NOTES(c)+(e)	GOLD FLASH		

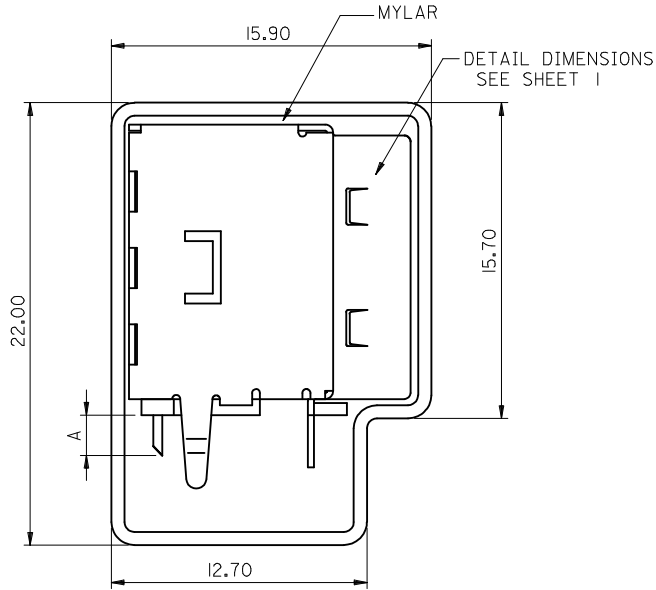
NOTE:
 1.MATERIAL:
 HOUSING:HIGH TEMPERATURE NYLON,GLASS FIBRE FILLED,UL94-V0,COLOR:BLACK
 TERMINAL:PHOSPHOR BRONZE
 METAL SHELL:DEEP DRAWN STEEL
 2.PLATING:
 TERMINAL:
 (a)GLOD FIASH ON THE CONTACT AREA,AND 75MICROINCH MINIMUM PURE TIN ON SOLDER TAIL, UNDER 50MICROINCH MINIMUM Ni PLATE.
 (b)30MICROINCH MINIMUM GOLD(Au) ON THE CONTACT AREA, AND 75MICROINCH MINIMUM PURE TIN ON SOLDER TAIL,UNDER 50MICROINCH MINIMUM Ni UNDER PLATE.
 (c)GOLD FIASH ON THE CONTACT AREA,AND 75MICROINCH MINIMUM MATTE TIN ON SOLDER TAIL,UNDER 50MICROINCH MINIMUM Ni PLATE.
 METAL SHELL:
 (d)100MICROINCH MINIMUM BRIGHT TIN ON THE METAL SHELL,AND 50MICROINCH MINIMUM Ni AND 100MICROINCH MINIMUM Cu PLATE.
 (e)100MICROINCH MINIMUM MATTE TIN ON THE METAL SHELL,AND 50MICROINCH MINIMUM Ni AND 100MICROINCH MINIMUM Cu PLATE.
 3.RECOMMENDED PCB THICKNESS:1.60 ±0.05mm
 4.PRODUCT SPECIFICATION:REFER TO PS-89485
 5. TRAY PACKAGING SPECIFICATION REFER TO:PK-89485-002
 TUBE PACKAGING SPECIFICATION REFER TO:PK-89485-001
 TUBE PACKAGING P/N,PLEASE REFER TO:SHEET2.3



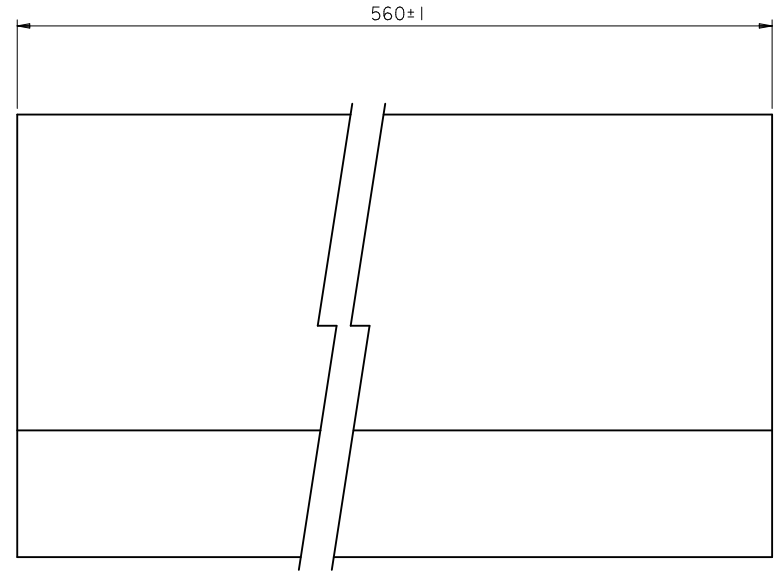
REVISED EC NO: SH2016-0035 DR:WZRZHANG 2015/07/29 CH:KDFZHANG 2015/07/29 APPR:AYIN 2015/08/24	QUALITY SYMBOLS	GENERAL TOLERANCES (UNLESS SPECIFIED)	DIMENSION STYLE	SCALE	DESIGN UNITS	THIRD ANGLE PROJECTION
	$F_A=0$ $F_C=0$ $F_D=0$	mm INCH 4 PLACES ± --- ± --- 3 PLACES ± --- ± --- 2 PLACES ± 0.25 ± .010 1 PLACE ± 0.25 ± .010 0 PLACE ± ±	MM ONLY	1:1	METRIC	
	DRAWN BY: DAVID HU CHECKED BY: RZHANG APPROVED BY:	MATERIAL NO. SEE TABLE	DATE	TITLE	SINGLE PORT UP-RIGHT USB CONNECTOR	
	DRAFT WHERE APPLICABLE MUST REMAIN WITHIN DIMENSIONS	SIZE: A3 THIS DRAWING CONTAINS INFORMATION THAT IS PROPRIETARY TO MOLEX INCORPORATED AND SHOULD NOT BE USED WITHOUT WRITTEN PERMISSION	DATE	DOCUMENT NO. SD-89485-003	SHEET NO. 1 OF 3	



MYLAR AREA



NOTE:
 1.DETAIL DIMENSIONS , PLEASE REFER TO SHEET 1 OF SD-89485-003
 2.THE TUBE PACKAGE INCLUDE TWO PLUGS ON RIGHT AND LEFT SIDES.
 3.TUBE PACKAGING SPECIFICATION REFER TO: PK-89485-001



PART NUMBER LEGEND:

P/N FOR TUBE PACKING AND MYLAR ADDITION			
MATERIAL NUMBER	DIMENSION "A"	PLATING SPECIFICATION	
WITH MYLAR	2.00 ^{+0.35} _{-0.15}	89485- 8100	GOLD FLASH PLATING ON CONTACT AREA
		89485- 8101	30 MICRO INCH GOLD PLATING ON CONTACT AREA
	2.50 ^{+0.35} _{-0.10}	89485- 8102	GOLD FLASH PLATING ON CONTACT AREA
		89485- 8103	30 MICRO INCH GOLD PLATING ON CONTACT AREA

SEE SHEET 1	EC NO: SH2016-0035	2015/07/29	DESCRIPTION
	DRWR:RZHANG	2015/07/29	
	CHKR:RZHANG		
	APPR:AYIN	2015/08/24	

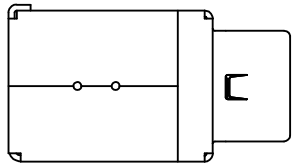
QUALITY SYMBOLS	GENERAL TOLERANCES (UNLESS SPECIFIED)	
	mm	INCH
$F_A=0$	4 PLACES ± ---	± ---
$F_C=0$	3 PLACES ± ---	± ---
$F_P=0$	2 PLACES ± 0.25	± .010
	1 PLACE ± 0.25	± .010
	0 PLACE ±	±

ANGULAR ± 3 °
 DRAFT WHERE APPLICABLE MUST REMAIN WITHIN DIMENSIONS

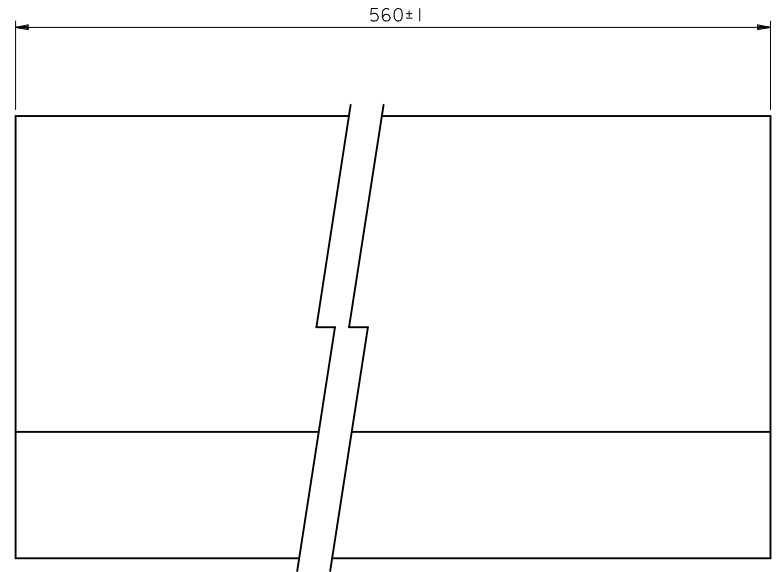
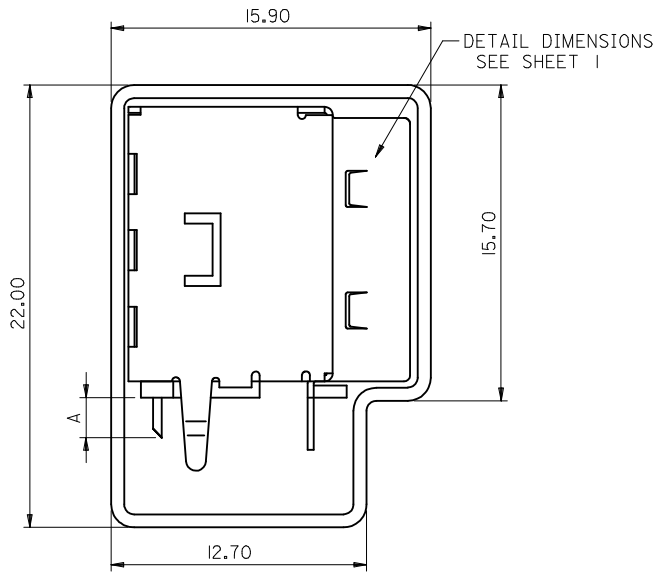
DIMENSION STYLE		SCALE	DESIGN UNITS	THIRD ANGLE PROJECTION
MM ONLY		1:1	METRIC	
DRAWN BY	DATE	TITLE		
DAVID HU		SINGLE PORT UP-RIGHT USB CONNECTOR		
CHECKED BY	DATE			
RZHANG				
APPROVED BY	DATE			

MATERIAL NO.	DOCUMENT NO.	SHEET NO.
SEE SHEET 1	SD-89485-003	2 OF 3
THIS DRAWING CONTAINS INFORMATION THAT IS PROPRIETARY TO MOLEX INCORPORATED AND SHOULD NOT BE USED WITHOUT WRITTEN PERMISSION		

10 9 8 7 6 5 4 3 2 1



NOTE:
 1.DETAIL DIMENSIONS , PLEASE REFER TO SHEET 1 OF SD-89485-003
 2.THE TUBE PACKAGE INCLUDE TWO PLUGS ON RIGHT AND LEFT SIDES.
 3.TUBE PACKAGING SPECIFICATION REFER TO: PK-89485-001



PART NUMBER LEGEND:

P/N FOR TUBE PACKING		
MATERIAL NUMBER	DIMENSION *A	PLATING SPECIFICATION
WITHOUT MYLAR	2.00 ^{+0.35} / _{-0.15}	89485-8200 GOLD FLASH PLATING ON CONTACT AREA
		89485-8201 30 MICRO INCH GOLD PLATING ON CONTACT AREA
	2.50 ^{+0.35} / _{-0.10}	89485-8202 GOLD FLASH PLATING ON CONTACT AREA
		89485-8203 30 MICRO INCH GOLD PLATING ON CONTACT AREA

SEE SHEET 1	EC NO: SH2016-0035	2015/07/29
	DRWR:RZHANG	2015/07/29
	CHKD:RZHANG	2015/07/29
	APPR:AYIN	2015/08/24

REV	DESCRIPTION
▽F=0	QUALITY SYMBOLS
▽E=0	
▽B=0	

GENERAL TOLERANCES (UNLESS SPECIFIED)	
	mm INCH
4 PLACES	± --- ± ---
3 PLACES	± --- ± ---
2 PLACES	± 0.25 ± .010
1 PLACE	± 0.25 ± .010
0 PLACE	± ±
ANGULAR ± 3 °	
DRAFT WHERE APPLICABLE MUST REMAIN WITHIN DIMENSIONS	

DIMENSION STYLE	
MM ONLY	
DRAWN BY	DATE
CHECKED BY	DATE
APPROVED BY	DATE
MATERIAL NO.	
SEE SHEET 1	

SCALE	DESIGN UNITS
1:1	METRIC
TITLE	
SINGLE PORT UP-RIGHT USB CONNECTOR	
molex	
DOCUMENT NO.	SHEET NO.
SD-89485-003	3 OF 3

THIRD ANGLE PROJECTION
THIS DRAWING CONTAINS INFORMATION THAT IS PROPRIETARY TO MOLEX INCORPORATED AND SHOULD NOT BE USED WITHOUT WRITTEN PERMISSION

9 8 7 6 5 4 3 2 1