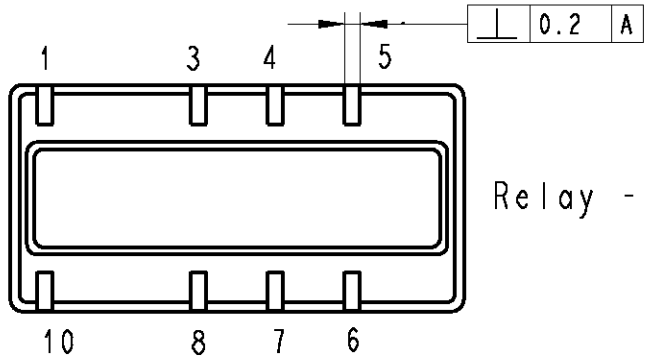
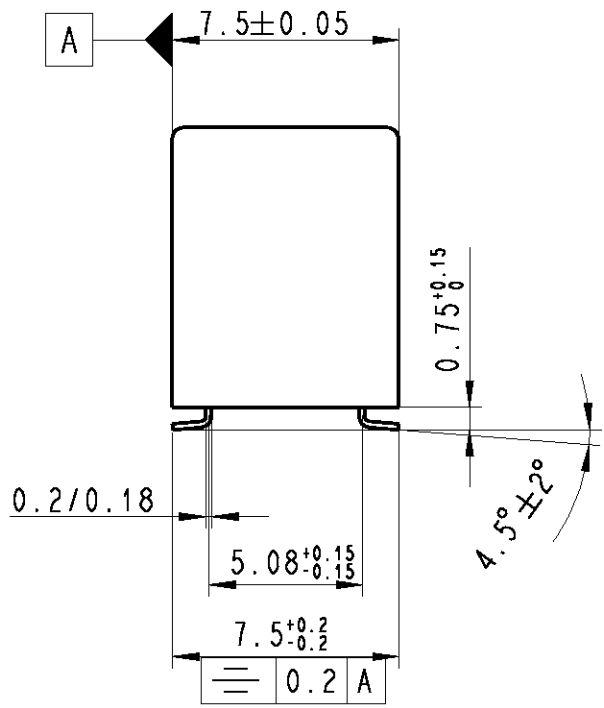
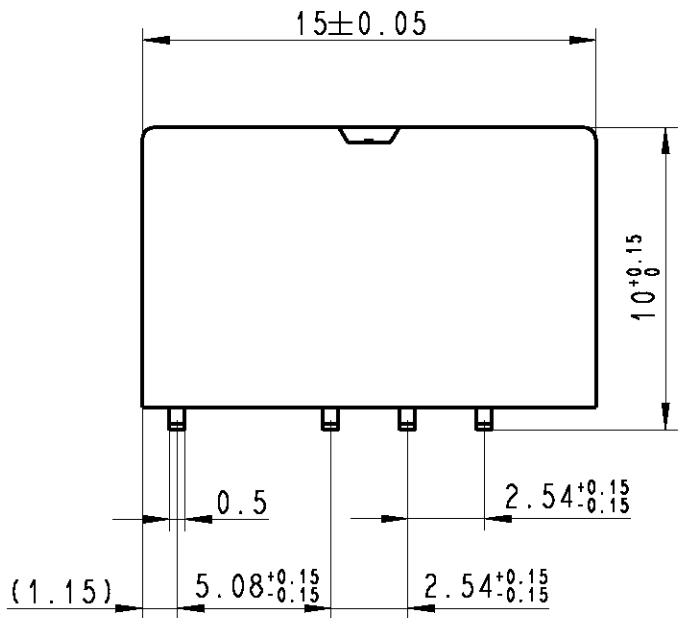


| LOC | DIST | REVISIONS | | | | | |
|-----|------|-----------|-----|---------------------------|---------|-----|------|
| | | P | LTR | DESCRIPTION | DATE | DWN | APVD |
| HJ | - | | A5 | REVISED PER ECO-11-005150 | 13APR11 | RK | HMR |
| | | | | | | | |
| | | | | | | | |



Relay - bottom view



AXICOM **US**
FU2 **DxxxxN**
zzV= **YYWW**

Coplanarity < 0.10mm
 xxxx = Relay type
 zz = nominal voltage
 YYWW = Date code

DRAWING ALIAS D03791-DOK51

THIS DRAWING IS UNPUBLISHED. ALL RIGHTS RESERVED. © COPYRIGHT BY -

| | | | | | |
|------------------------------------------------------------------------------------------------------------------------------------------------------------|--------------------------------------------------------------------------|------------------------------------------------------|-----------------|------------------------------------------|---|
| DIMENSIONS: mm TOLERANCES UNLESS OTHERWISE SPECIFIED: DIN 7168-m 0 PLC ±- 1 PLC ±- 2 PLC ±- 3 PLC ±- 4 PLC ±- ANGLES ±- | DWN CW 9196 310c11997 CHK EG 9192 310c11997 APVD HD 9121 310c11997 | MATERIAL | - | FINISH | - |
| | PRODUCT SPEC - APPLICATION SPEC - WEIGHT - | | | NAME FU2-Relay SMT N (Narrow) Dimensions | |
| CUSTOMER DRAWING | | SIZE A4 CAGE CODE 00779 DRAWING NO C-1462036-1 | RESTRICTED TO - | | |
| SCALE 4:1 | | SHEET 1 OF 1 | | REV A5 | |