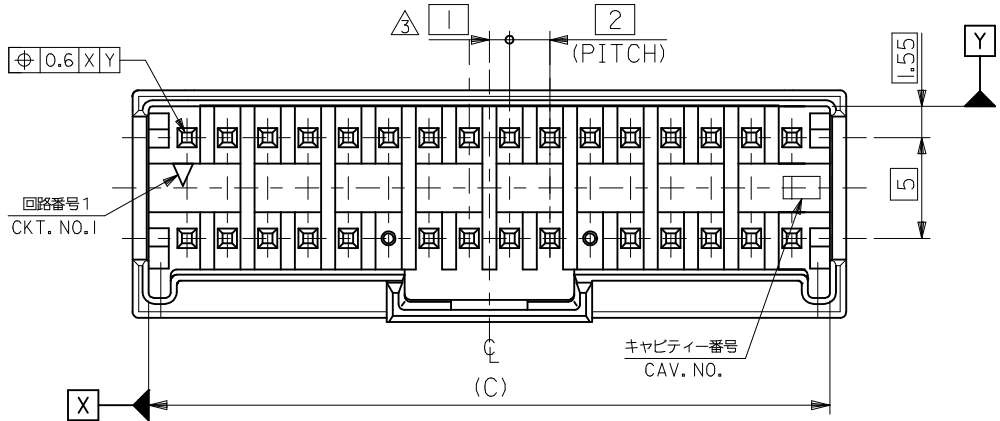


10 9 8 7 6 5 4 3 2 1

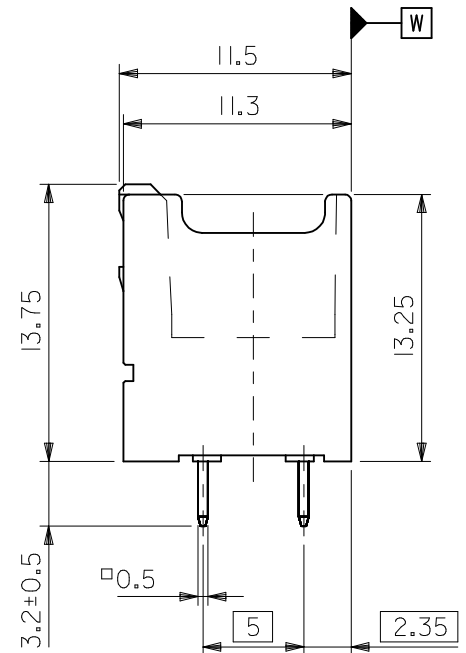
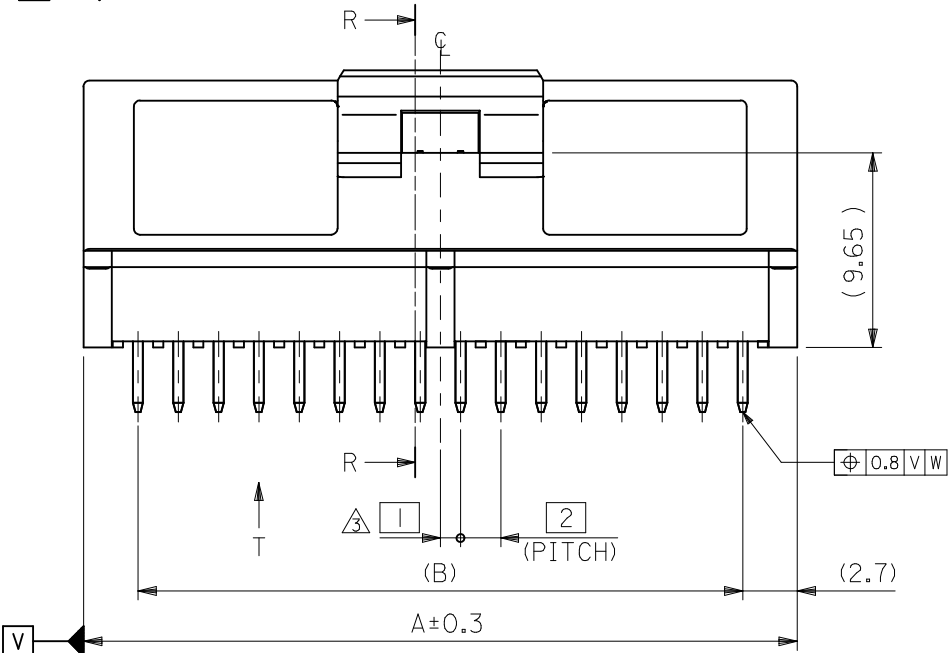


注記
NOTES

- 材料 MATERIAL
ピン : 黄銅, ニッケル下地鍍メッキ
PIN : BRASS, Sn OVER NI PLATED
ハウジング : PBT (ガラス入り: 15%), UL94V-0
HOUSING : PBT (G.F.: 15%), UL94V-0
- 嵌合相手 : 500915シリーズ
MATE WITH : 500915 SERIES
(全極数/2) = 偶数の場合に適用。
APPLY FOR (CIRCUIT/2)=EVEN
- 製品番号 : 500637-321*
MATERIAL No. 500637-321*

ナチュラル NATURAL	0
黒 BLACK	1
赤 RED	2
青 BLUE	4

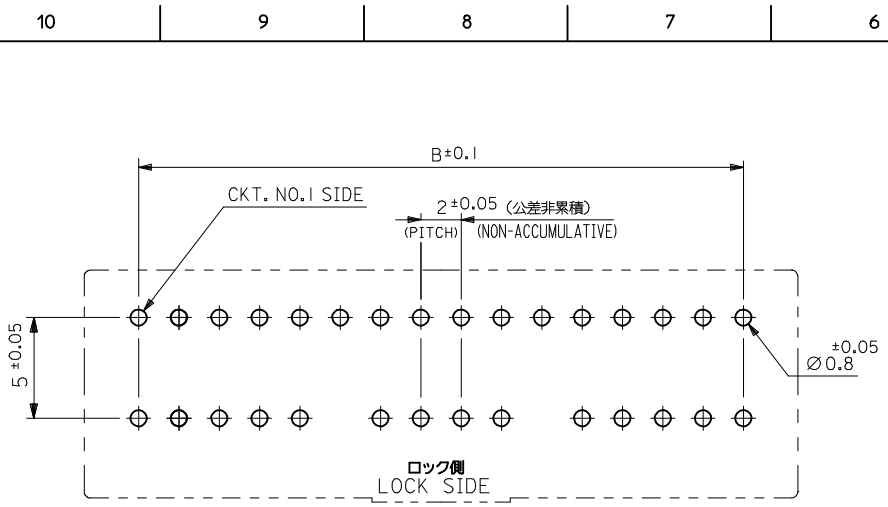
色 COLOR



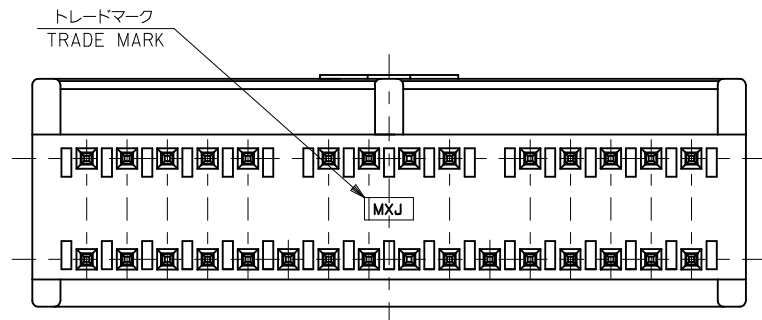
33.8	30	35.4	500637-321*	32
C	(B)	A	製品番号 MATERIAL NO.	極数 CKT.

REVISED EC NO: J2016-0382 DRWK:YAMADA02 2015/08/07 CHKD:KASAKAWA 2015/10/29 APPR:NUKITA 2015/11/02	GENERAL TOLERANCES (UNLESS SPECIFIED)			DIMENSION STYLE MM ONLY		SCALE ---	DESIGN UNITS METRIC	MODEL NO. 500637-***1*	
	0.25 UNDER	UNDER	±0.03	DRAWN BY M. NABEI	DATE '06/05/17	TITLE 2.0MM W/B DUAL HIGH-BOX CONN DIP PLUG HSG ASSY			
	0.25 OVER	0.5 UNDER	±0.05	CHECKED BY K. TOYODA	DATE '06/05/17				
	0.5 OVER	1.0 UNDER	±0.1	APPROVED BY N. UKITA	DATE '06/05/17				
1.0 OVER	10 UNDER	±0.2	MATERIAL NO.		DOCUMENT NO.		SHEET NO.		
10 OVER	30 UNDER	±0.25	SEE CHART		SD-500637-001		1 OF 2		
30 OVER		±0.3	THIS DRAWING CONTAINS INFORMATION THAT IS PROPRIETARY TO MOLEX INCORPORATED AND SHOULD NOT BE USED WITHOUT WRITTEN PERMISSION						
ANGULAR	±3 °								
DRAFT WHERE APPLICABLE MUST REMAIN WITHIN DIMENSIONS									

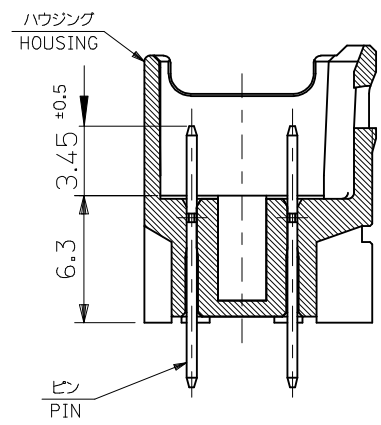
9 8 7 6 5 4 3 2 1



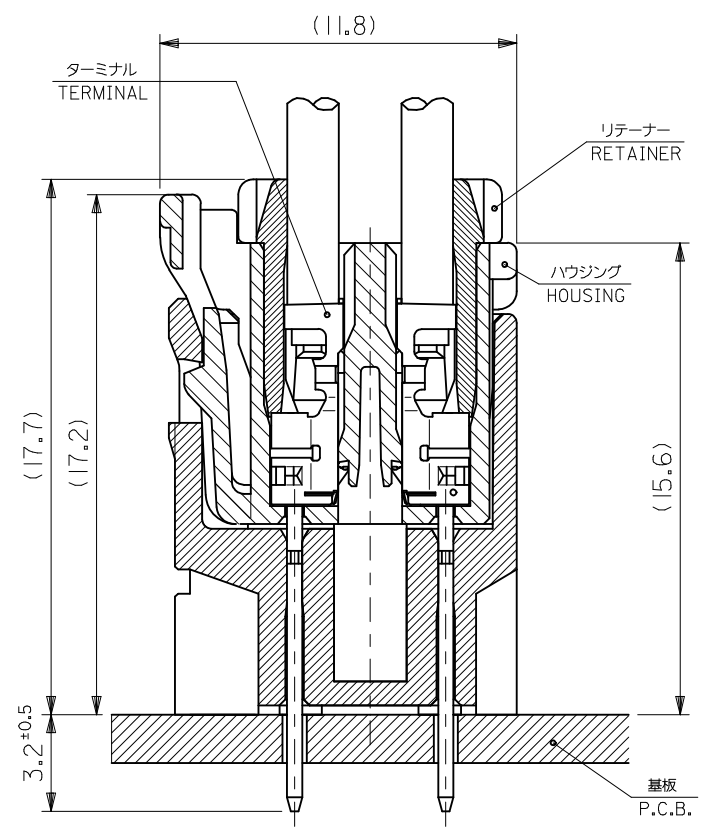
基板取付穴推奨寸法 (マウント面)
 RECOMMENDED P.C. BOARD
 HOLE DIMENSION
 (MOUNTING SIDE)
 (t=1.6)



VIEW "T"



SECT. R-R



嵌合断面図 (参考)
 MATED DRAWING (REF.)

REVISED EC NO: J2016-0382 DRW: KYAMADA02 2015/08/07 CHK: KASAKAWA 2015/10/29 APPR: NUKITA 2015/11/02	GENERAL TOLERANCES (UNLESS SPECIFIED)		DIMENSION STYLE		SCALE	500637-**1*	MODEL NO.	
			MM ONLY		---	DESIGN UNITS	THIRD ANGLE PROJECTION	
	0.25 UNDER	UNDER	±0.03	DRAWN BY	DATE	METRIC		
	0.25 OVER	0.5 UNDER	±0.05	M. NABEI	'06/05/17		TITLE	
	0.5 OVER	1.0 UNDER	±0.1	K. TOYODA	'06/05/17		2.0MM W/B DUAL HIGH-BOX CONN DIP PLUG HSG ASSY	
1.0 OVER	10 UNDER	±0.2	APPROVED BY	DATE				
10 OVER	30 UNDER	±0.25	N. UKITA	'06/05/17				
30 OVER		±0.3	MATERIAL NO.					
ANGULAR	±3 °		SEE CHART			DOCUMENT NO.	SHEET NO.	
DRAFT WHERE APPLICABLE MUST REMAIN WITHIN DIMENSIONS			SIZE	THIS DRAWING CONTAINS INFORMATION THAT IS PROPRIETARY TO MOLEX INCORPORATED AND SHOULD NOT BE USED WITHOUT WRITTEN PERMISSION				
			A3				SD-500637-001	2 OF 2