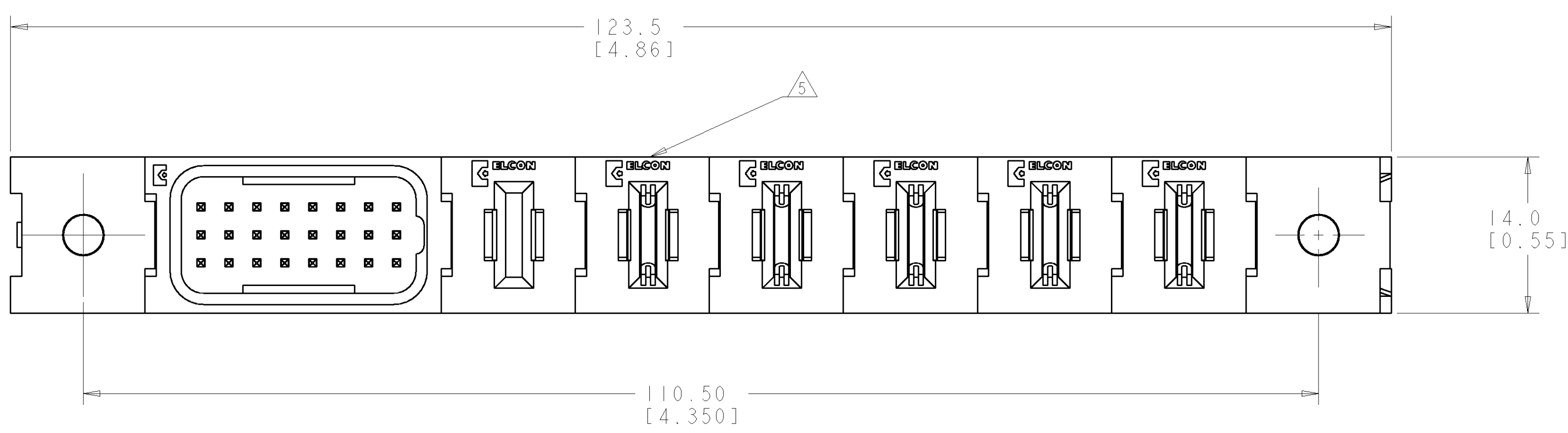


LOC	DIST	REVISIONS					
GP	00	P	LTR	DESCRIPTION	DATE	DWN	APVD
		A		RELEASED	29AUG2006	RG	SF
		B		REV PER ECO-06-021611	12SEP2006	RG	SF
		C		REV PER ECO-07-004497	02MAR2007	RG	SF



1. PART NUMBER CHANGES AND OR DESIGN CHANGES AFFECTING ITEM INTERCHANGEABILITY REQUIRE PRIOR TYCO APPROVAL AND AUTHORIZATION BY REVISION TO THIS DRAWING.

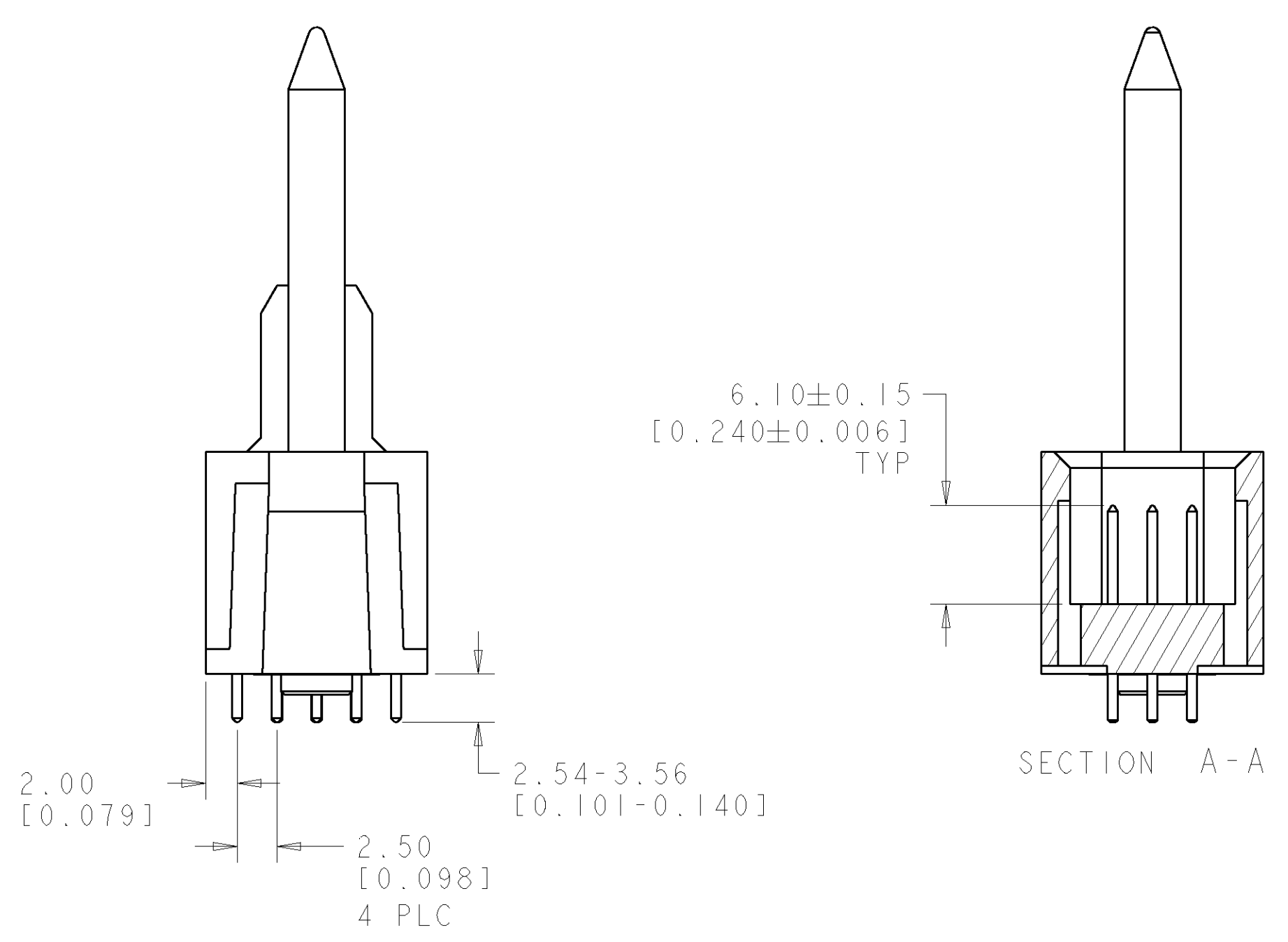
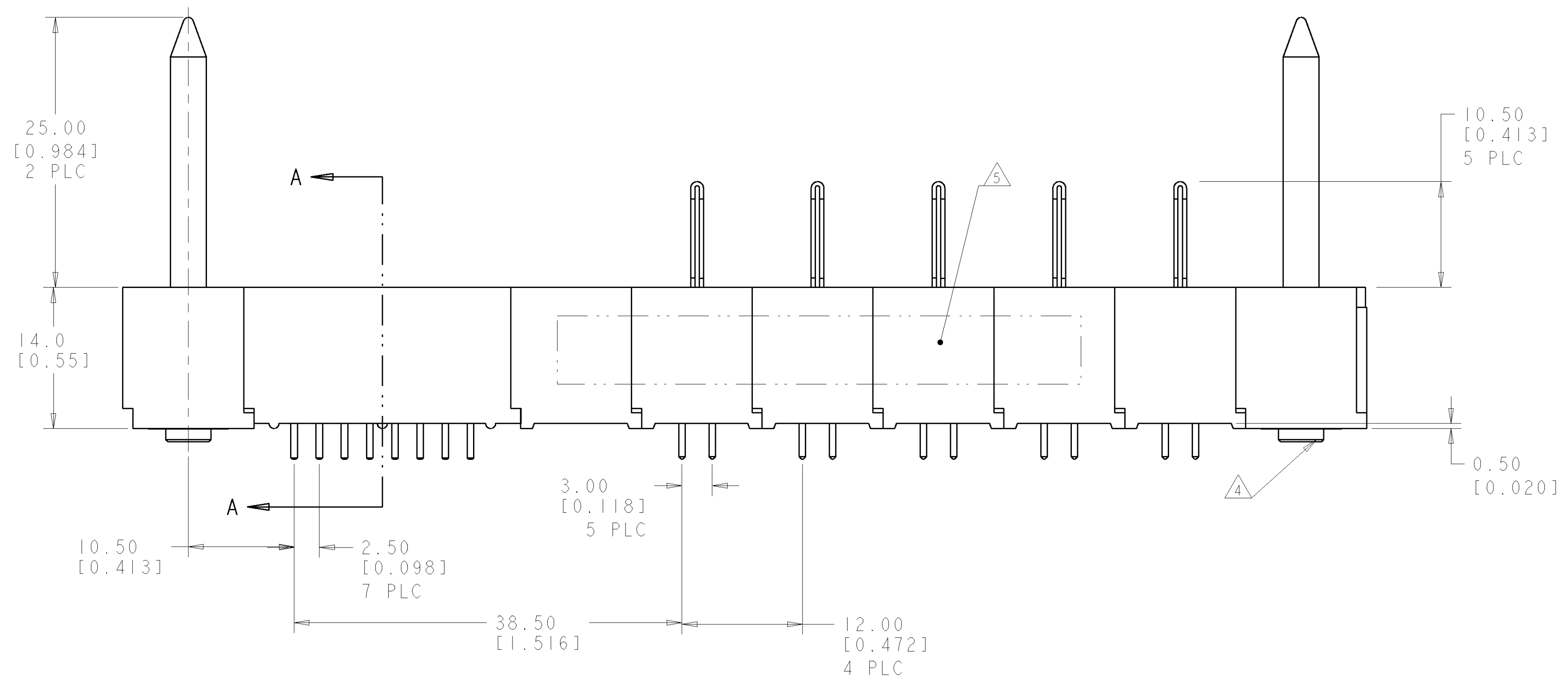
△ MATERIAL:
 INSULATORS - THERMOPLASTIC, GLASS REINFORCED, COLOR: BLACK
 UL94V-0 FLAMMABILITY RATED.
 POWER CONTACTS - PHOSPHOR BRONZE ALLOY,
 COPPER ALLOY
 SOLDER SIGNAL PIN - BRASS ALLOY
 CROWN BAND-BERYLLIUM COPPER ALLOY
 GUIDE PIN-BRASS COPPER ALLOY

△ FINISH:
 CONTACTS - GOLD PLATE .000030" INCH MIN. THK., OVER NICKEL
 .000050" INCH MIN. THK
 SOLDER TAILS, TIN .000100" INCH MIN. THK. OVER NICKEL
 .000050" MIN THK.
 GUIDE PIN - SILVER PLATE .000200" MIN THK. OVER
 NICKEL .000040" MIN THK.

△ ACTIVE GUIDE PINS ACCEPT #4-40 SCREWS, (USER SUPPLIED)

△ ITEMS PROVIDED TO THIS SPECIFICATION TO BE PERMANENTLY IDENTIFIED PER THE FOLLOWING IDENTIFIER LABEL

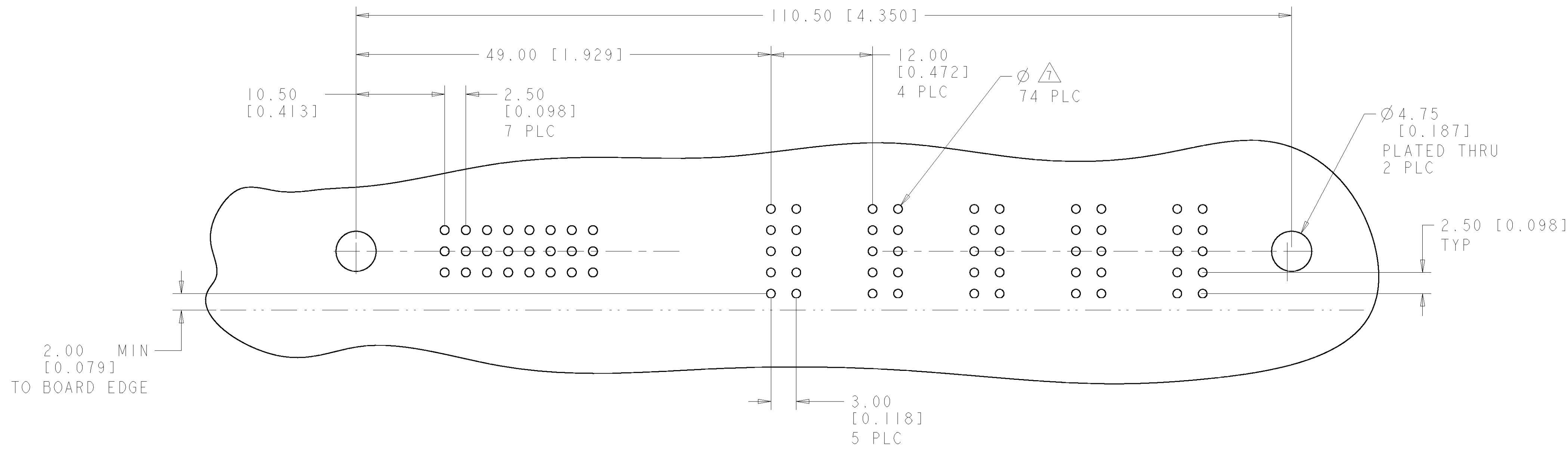
YEAR WEEK
 TYCO PART NO. DATE CODE (e.g. 0106)
 XXXXXXXX-X XXXX



ELCON FLATPAQ

DIMENSIONS: mm [INCHES]		TOLERANCES UNLESS OTHERWISE SPECIFIED:		DWN R. GRZYBOWSKI 17AUG06		AS SHOWN 1926220-1	
0 PLC	±	0.3 (0.013)	APVD S. FLICKINGER 17AUG06	ECHK S. FLICKINGER 17AUG06		DESCRIPTION PART NUMBER	
1 PLC	±	0.15 (0.005)	PRODUCT SPEC		Tyco Electronics		Harrisburg, PA 17105-3608
2 PLC	±	0.15 (0.005)	APPLICATION SPEC		NAME		
3 PLC	±	0.15 (0.005)	WEIGHT		SIZE CAGE CODE DRAWING NO		RESTRICTED TO
4 PLC	±	0.001	CUSTOMER DRAWING		A 100779 C=1926220		REV C
ANGLES	±	5	SCALE 2:1		SHEET 1 OF 3		

LOC	DIST	REVISIONS			
P	LTR	DESCRIPTION	DATE	DRN	APVD
-	-	SEE SHEET 1	-	-	-



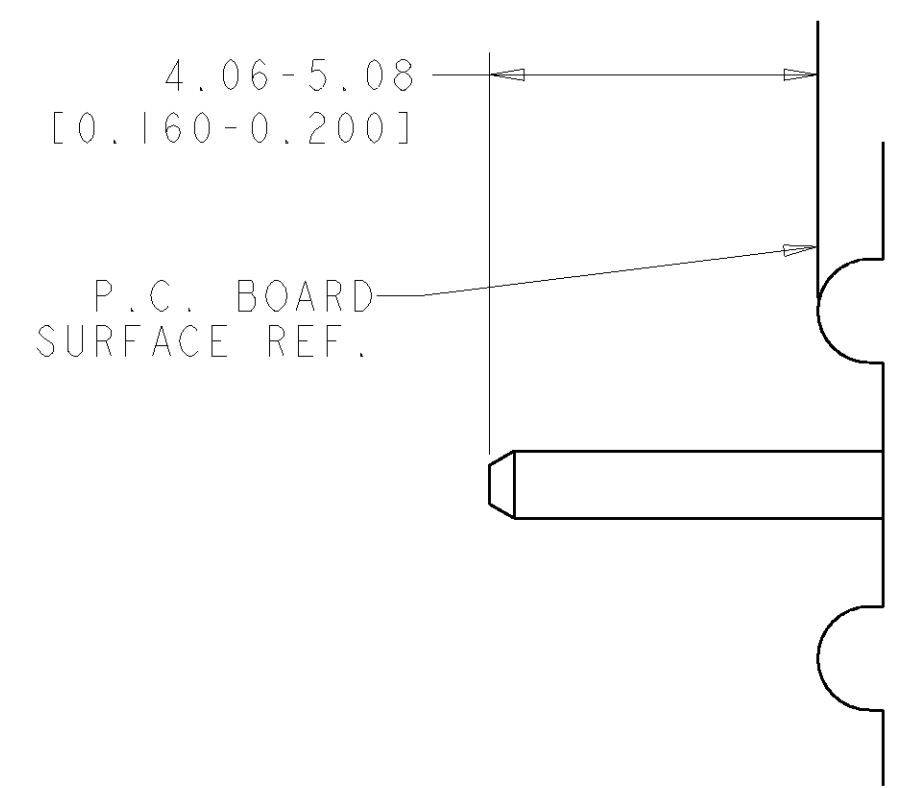
PRINTED CIRCUIT LAYOUT
 COMPONENT SIDE

CONNECTOR	CATALOG MODULE #	QTY	SIZE NO.	CONTACT QTY	MATING PIN	MAX. CURRENT (PER CONTACT)	CONTACT SPACING	VOLTAGE RATING
PIN	FP117	5	8	5	1.25 X 7.00 [.049 X .276]	35 amps	7.50 [.2953]	250 VOLTS
	FP300	1	22	24	.64 [.025] SQ.	3 AMPS	2.50 [.0984]	125 VOLTS
	FP517	2	ACTIVATED STRAIGHT GUIDE PIN					

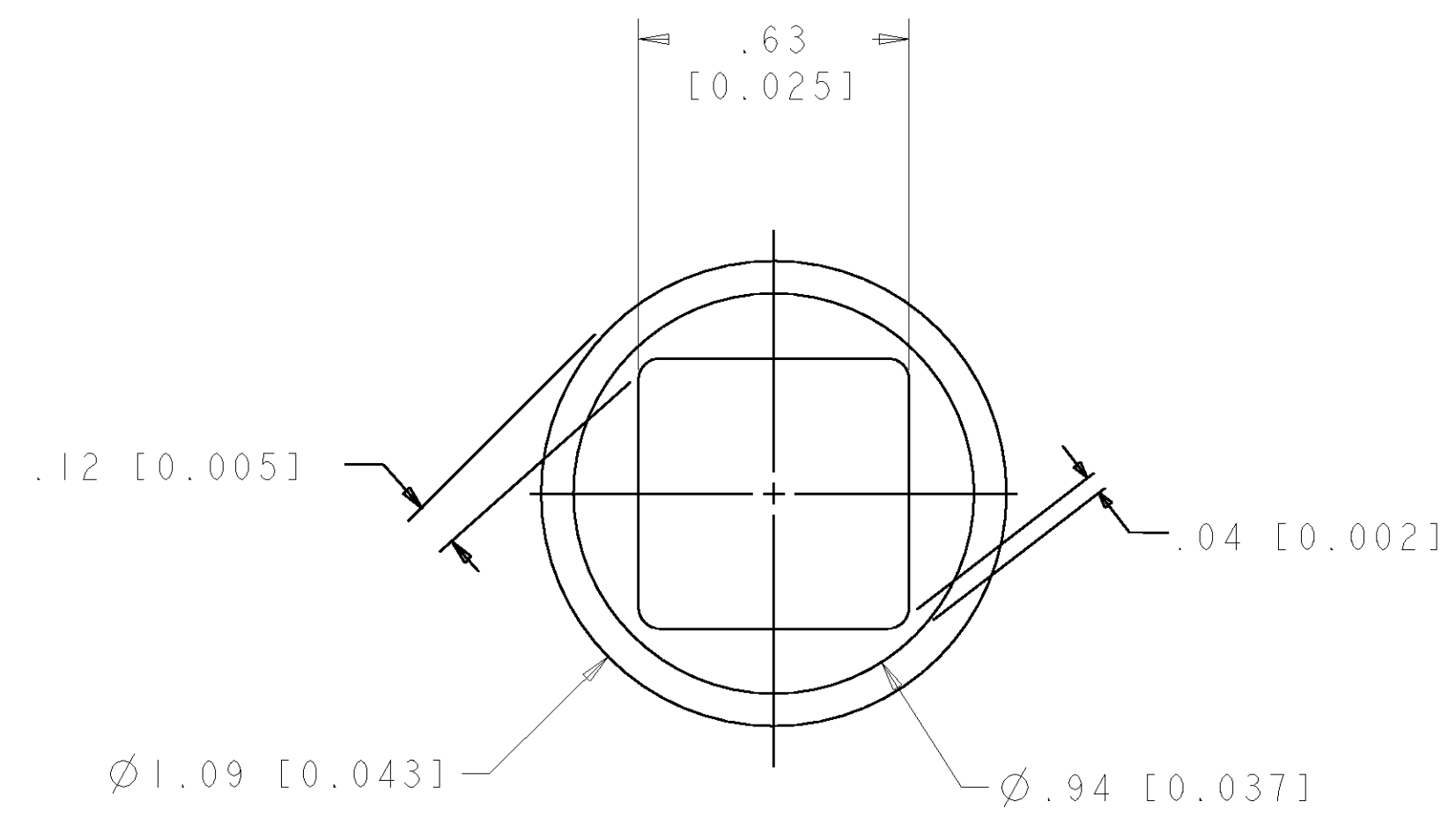
ELCON FLATPAQ

<small>THE DIMENSIONS OF THIS DRAWING ARE BASED ON THE DIMENSIONS OF THE COMPONENTS AS SHOWN IN THE DRAWING. IF THE DIMENSIONS OF THE COMPONENTS CHANGE, THE DIMENSIONS OF THE DRAWING SHOULD BE CONTACTED FOR THE CORRECT POSITION.</small>		DRN: B. GRZYBOWSKI CHK: S. FLICKINGER APVD: S. FLICKINGER	I1AUG06 I1AUG06 I1AUG06	tyco Electronics Tyco Electronics Harrisburg, PA 17105-3608
DIMENSIONS: mm [INCHES]	TOLERANCES UNLESS OTHERWISE SPECIFIED: 0 PLC ± 1 PLC ±0.3 (0.013) 2 PLC ±0.15 (0.005) 3 PLC ±0.013 4 PLC ±0.001 ANGLES ±.5	PRODUCT SPEC APPLICATION SPEC	NAME: STRAIGHT PIN CONNECTOR, SOLDER TAILS, FLATPAQ SIZE: CAGE CODE: DRAWING NO: A100779C=1926220 WEIGHT: - CUSTOMER DRAWING	RESTRICTED TO: - SCALE: 2:1 SHEET 2 OF 3 REV C

LOC	DIST	REVISIONS					
		P.	LTR	DESCRIPTION	DATE	DWN	APVD
GP	00	-	-	SEE SHEET 1	-	-	-



6. SOLDER PIN DETAIL
SCALE 10 : 1



⚠ SOLDER TERMINATION AREA
 SCALE 40:1
 RECOMMENDED PRINTED CIRCUIT SOLDER HOLE
 FINISHED HOLE: Ø1.02 [0.040] ±.008 [.0003]
 DRILLED HOLE: Ø1.15 [0.0453] ±.013 [.0005]
 COPPER PLATE: .025 [.0010] MIN
 TIN PLATE: .008 [.0003] MIN. (PER SURFACE)

<small>THIS DRAWING IS UNPUBLISHED. RELEASED FOR PUBLICATION BY TYCO ELECTRONICS CORPORATION. ALL RIGHTS RESERVED.</small>		DWN B. GRZYBOWSKI 17AUG06 ENR S. FLICKINGER 17AUG06 APVD S. FLICKINGER 17AUG06	tyco Electronics Tyco Electronics Harrisburg, PA 17105-3608
DIMENSIONS: mm [INCHES]	TOLERANCES UNLESS OTHERWISE SPECIFIED: 0 PLC ±. 1 PLC ±0.3 [0.013] 2 PLC ±0.15 [0.005] 3 PLC ±0.013 4 PLC ±0.001 ANGLES ±.5 FINISH -	PRODUCT SPEC APPLICATION SPEC WEIGHT - CUSTOMER DRAWING	NAME STRAIGHT PIN CONNECTOR, SOLDER TAILS FLATPAQ SIZE CAGE CODE DRAWING NO A100779C-1926220 RESTRICTED TO SCALE 2:1 SHEET 3 OF 3 REV C