

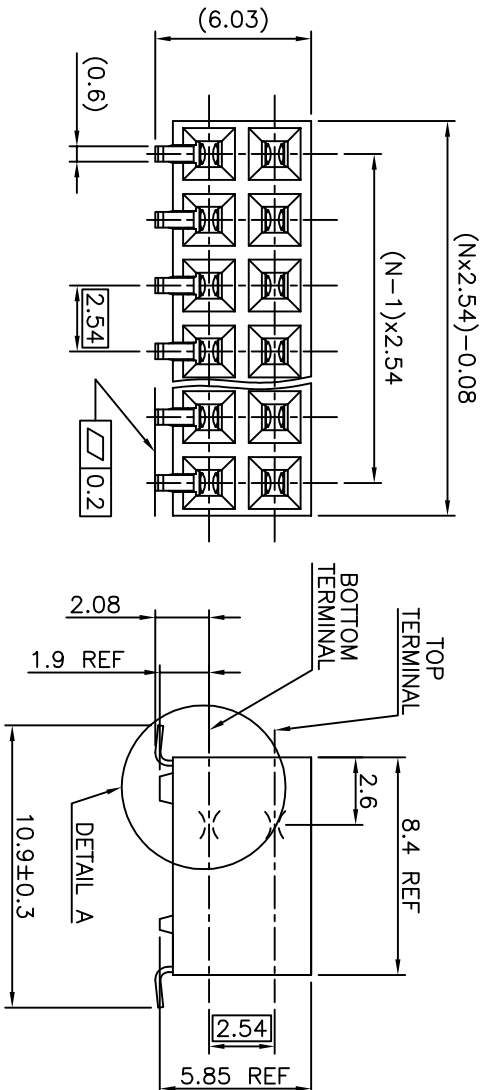
PRODUCT NUMBER  
71609-XXXXLF

ROHS COMPATIBLE, SEE NOTE 6

OPTIONAL LETTER  
A: PRODUCT PACKED IN TAPE & REEL, SEE TA856.  
NUMBER OF POSITIONS PER ROW: 02 TO 40.

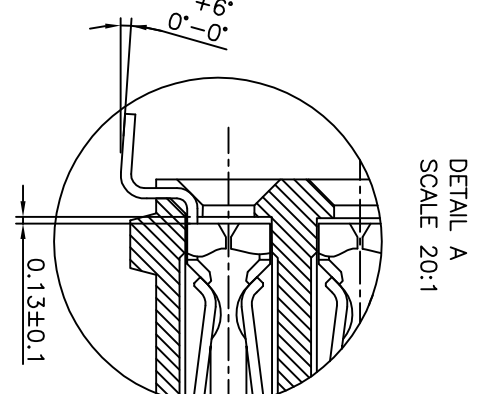
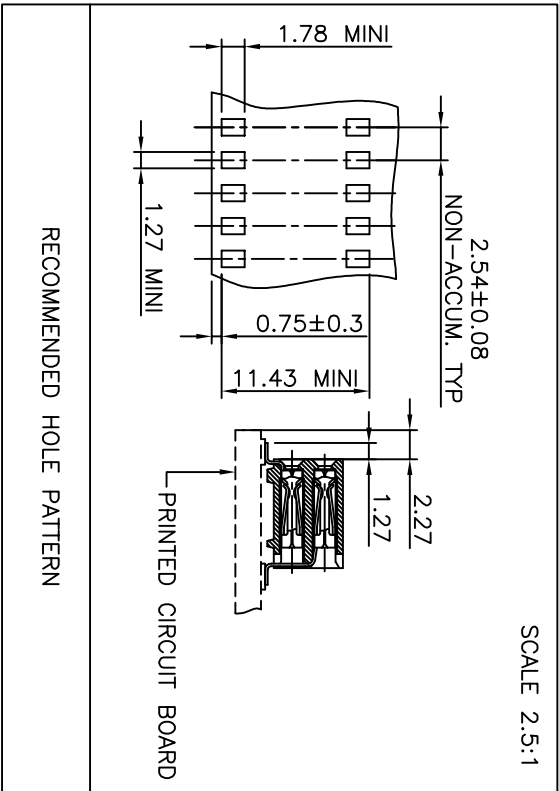
PLATING CODE

- 3 = 0.76µm GOLD ON CONTACT AREA.  
2µm MIN MATTE TIN ON TAIL.
- 4 = 2µm MIN MATTE TIN FULL PLATED
- 8 = 0.38µm GOLD ON CONTACT AREA.  
2µm MIN MATTE TIN ON TAIL.
- 1.27µm Ni MIN UNDERPLATING



NOTES:

- 1 - HOUSING MAT'L: THERMOPLASTIC GLASS FILLED FLAME RETARDANT PER UL 94 V-0 COLOR: GREY.
- 2 - TERMINAL MATERIAL: PHOSPHOR BRONZE.
- 3 - 2 UP TO 4 POSITIONS PRODUCT PACKED IN PLASTIC BOX.
- 4 - 5 UP TO 40 POSITIONS PRODUCT PACKED IN TUBE.
- 5 - TO DETERMINE DIMENSIONS:  
N = NUMBER OF POSITIONS PER ROW  
EXAMPLE: 8 POS: (N x 2.54) - 0.08 = 20.24 mm
- 6 - RECOMMENDED IR PROFIL PER TA 842.
- 7 - ROHS COMPATIBLE PRODUCT SPECIFICATIONS
- 8 - PLATING:
  - "LF" MEANS THE PRODUCT IS LEAD-FREE, 2µm MINIMUM MATTE TIN OVER 1.27µm MINIMUM NICKEL UNDERPLATE.
- 9 - MANUFACTURING PROCESS COMPATIBILITY
  - THE HOUSING WILL WITHSTAND EXPOSURE TO 260°C PEAK TEMPERATURE FOR 30 SECONDS MAX IN A CONVECTION, INFRA-RED OR VAPOR PHASE OR REFLOW OVEN.
- 10 - LABELING:
  - MEETS PACKAGING SPECS AS PER GS-14-920
- 11 - LEGAL STATEMENT: SEE GS-47-0004



SCALE 2.5:1

DETAIL A  
SCALE 20:1

RECOMMENDED HOLE PATTERN

mat'l. code	surface	tolerance	projection	product family
SEE NOTE 1	ISO 1302	ISO 406	ISO 10:1	DUBOX
ltr	ecn no	dr	date	ISO 1108
W	F04-0347	DLE	04.11.08	tolerances unless otherwise specified
X	F06-0204	DLE	06.06.10	angles
Y	B-17361	JCO	14.01.04	linear
AA	B-19123	LWU	14.10.21	40.3
				mm
				scale 10:1
				engr P NIZZI 94.03.21
				chf JF NOTTEAU 99.06.08
				qppd PNZ 97.05.13
				99.06.08
sheet	revision			FCI
index	sheet			type CUSTOMER
				dwg no 71609
				sheet 1 of 1
				size A3
				title B1B RECEPT. HORIZ DR SMT