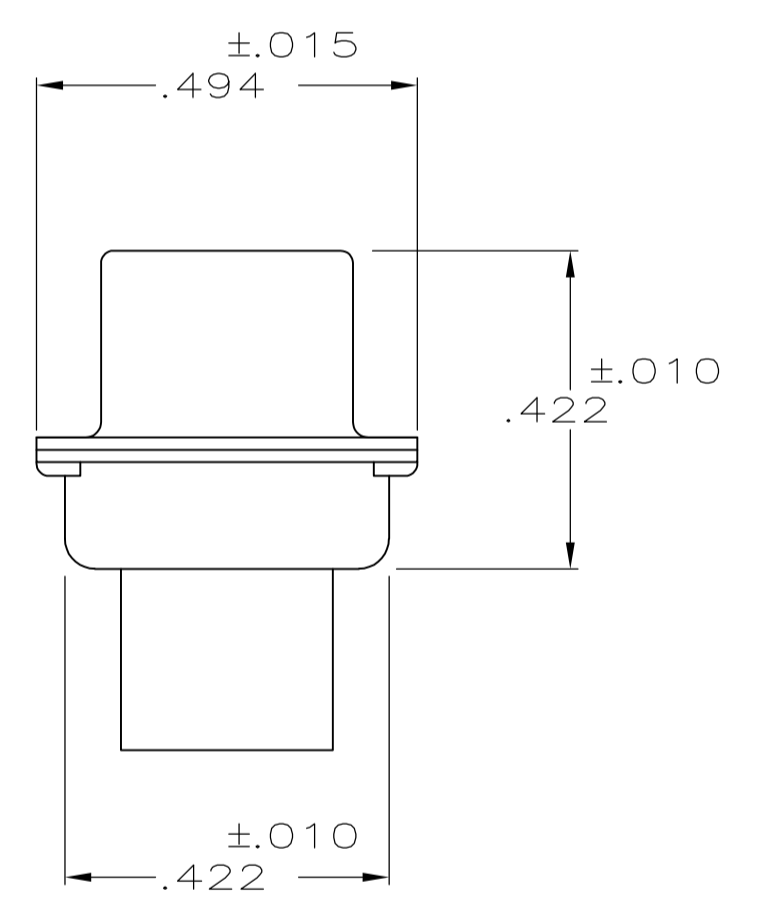
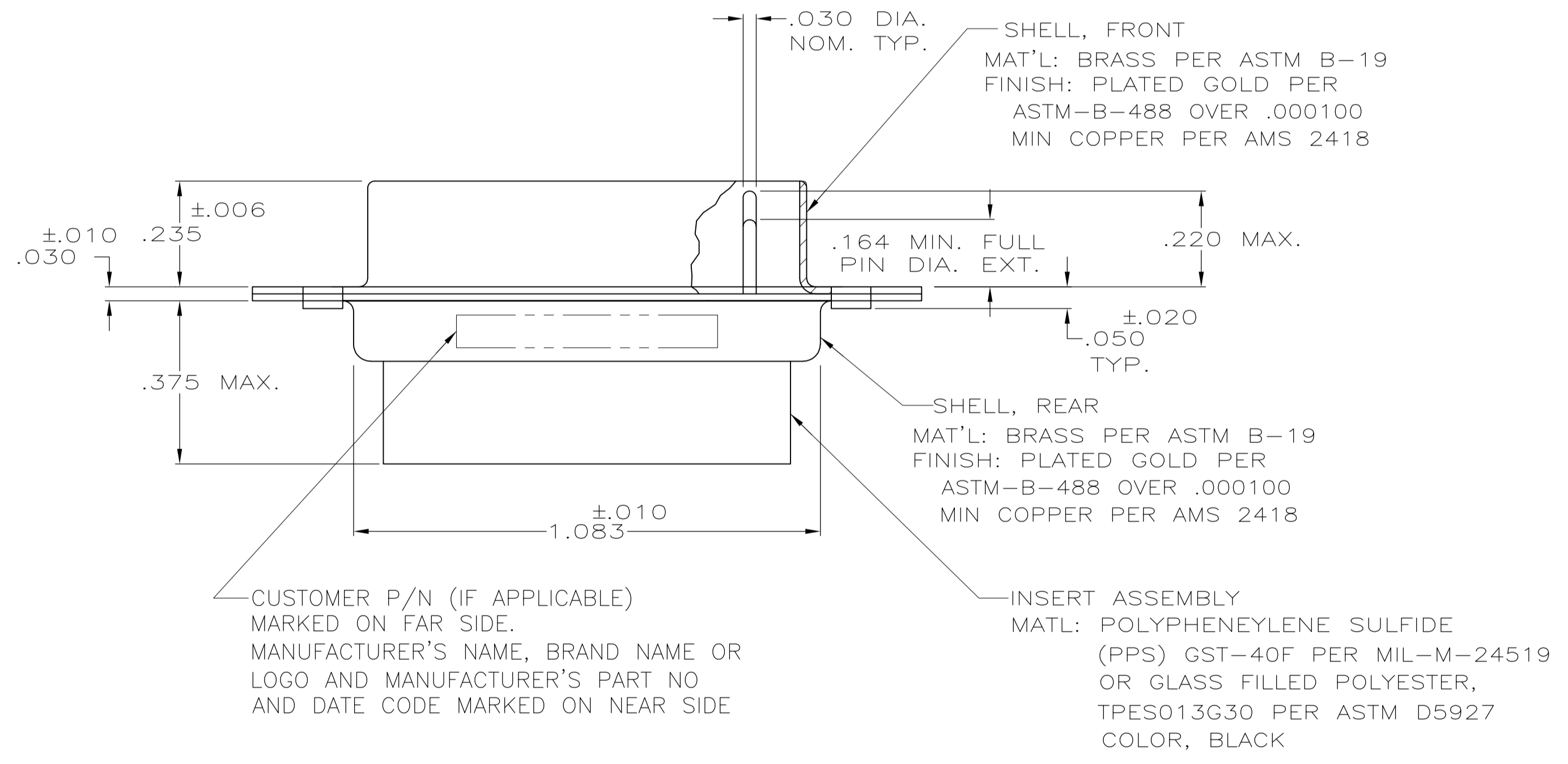
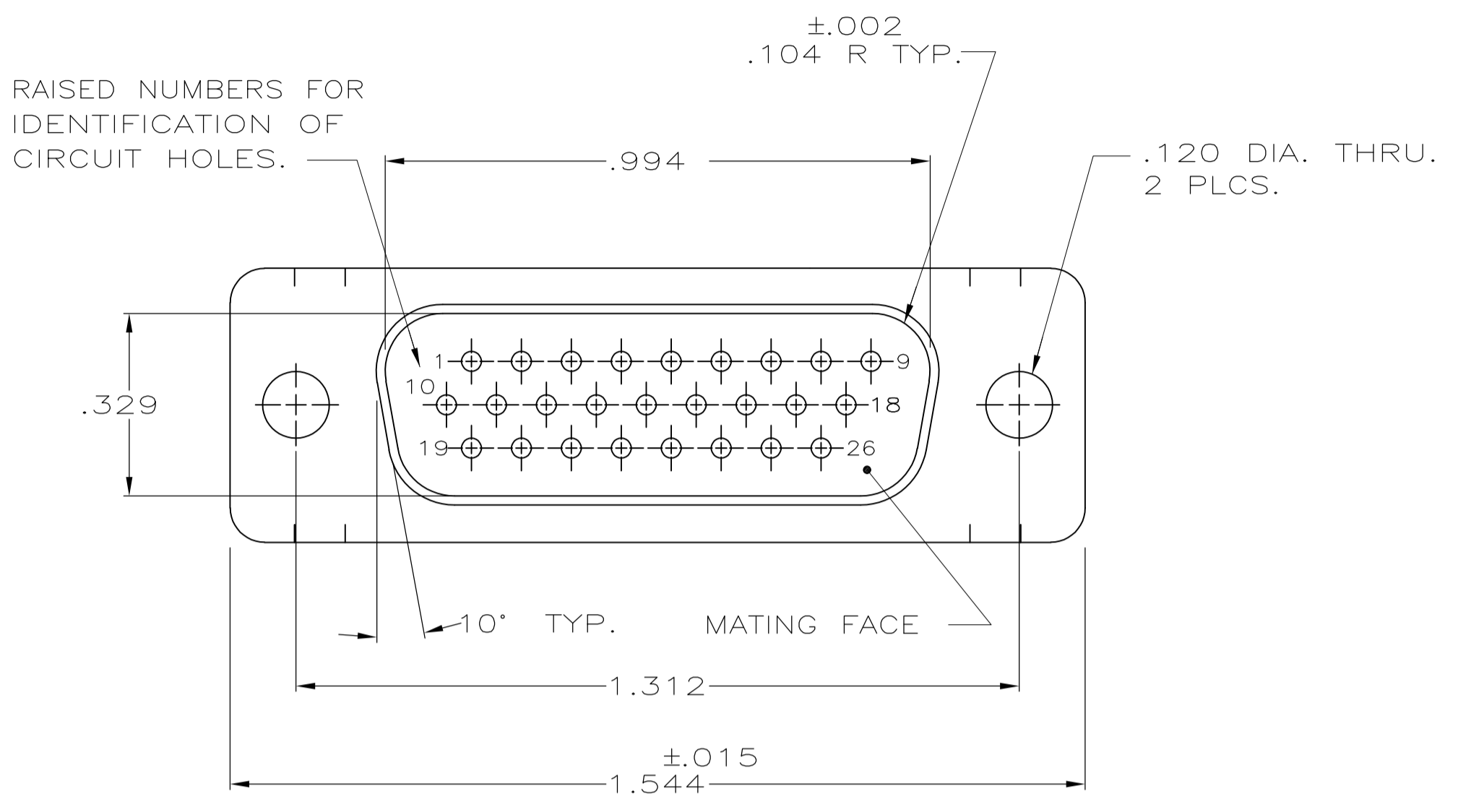


LOC		DIST		REVISIONS			
DF	DO	REV	DESCRIPTION	DATE	DWN	APVD	
F		1	REV PER ECO-10-001162	27JAN10	PY	RL	

- THIS PLUG WILL MATE WITH ANY SIZE 2,26 POSN. RECEPTACLE IN AMPLIMITE SERIES.
- CONNECTOR SUPPLIED WITHOUT CONTACTS; SHOWN FOR ILLUSTRATION ONLY.
- BE-CU RETENTION CLIPS ARE INCLUDED IN INSERTS AND INSTALLED WITH TINES POINTING TOWARDS MATING FACE.
- OVERALL DIMENSIONS DO NOT INCLUDE RAISED CAVITY IDENTIFICATION
- MARKING FAR SIDE REFERS TO WIDE SIDE OF KEYSTONE. NEAR SIDE REFERS TO NARROW SIDE OF KEYSTONE
- 100% INSPECTION REQUIRED PER BOEING 1B01:
  - A. VISUAL
  - B. DWV
  - C. IR
- CUSTOMER REQUIRES SINGLE LOT DATE CODE.



REMARKS	CUSTOMER PART NUMBER	PART NO.
6	1B01-008PHW	1-211650-1
6	1B01-008	211650-1

THIS DRAWING IS A CONTROLLED DOCUMENT.

DIMENSIONS: INCHES	TOLERANCES UNLESS OTHERWISE SPECIFIED:	DIN D. ERDMAN 3-12-84	Tyco Electronics Corporation Harrisburg, PA 17105-3608
		CHK B. YOHN 4-26-84	
	0 PLC ± -	APVD G. SACUNAS 7-5-84	NAME PLUG ASS'Y.,AMPLIMITE, 26 POSN, SIZE 2, SERIES 90 NON-MAGNETIC
	1 PLC ± -	PRODUCT SPEC	
	2 PLC ± -	APPLICATION SPEC	SIZE A1
	3 PLC ± .005	WEIGHT	CAGE CODE 00779
	4 PLC ± -	CUSTOMER DRAWING	DRAWING NO 211650
	ANGLES ± ± 0°30'	SCALE	4:1
MATERIAL SEE CALLOUTS	FINISH SEE CALLOUTS	SHEET	1 OF 1
		REV	F