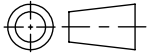
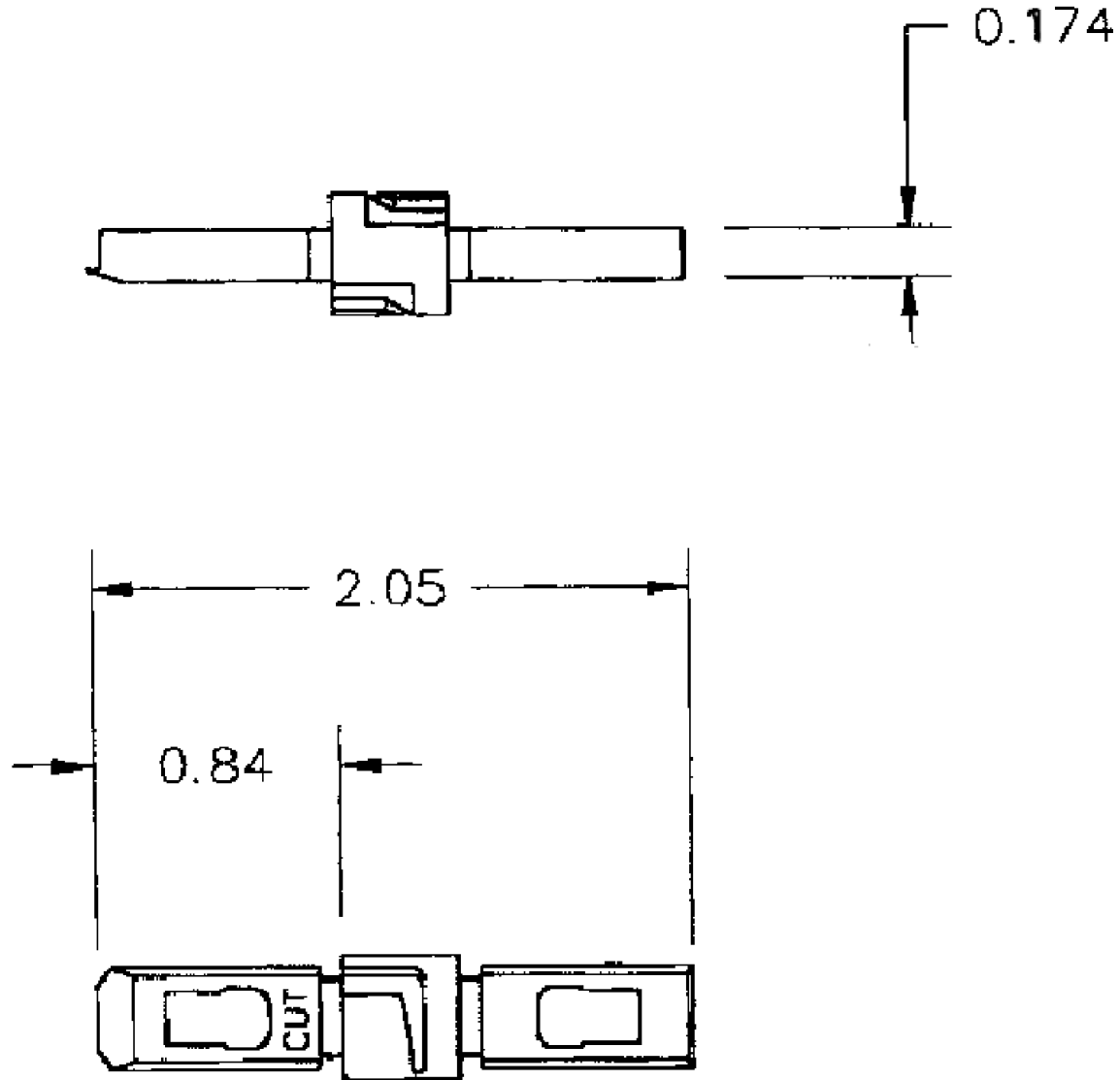


SW2014



Revision level			Revision Record	Changed	Date	Approved	Date
Drawing	State	Part					
00.0	In Work		SEE ECN# 013173	SNH	6/29/2015	KAC	6/25/2015



Material
SAE 4140 STEEL

Units: **inches**
 Dimension without tolerances details to:
 .xxxx = ±.0005
 .xxx = ±.005
 .xx = ±.01
 .x = ±.03
 None = ±.06
 ∠ = ±0.5°
 Dimension Formatted in [mm]

The copyright of this drawing is reserved by HellermannTyton. It is issued on condition that it is not reproduced, copied, or disclosed to a third party, either wholly or in part, without the consent of HellermannTyton.

Drawn	SNH	6/29/2015
Approved	KAC	6/29/2015

HellermannTyton
 North America
 Email: corp@htamericas.com
 Web: www.hellermann.tyton.com

Article/Type-No	IT66B	Scale	1:1
Title	REPLACEMENT 66 BLADE	Project Number	PRP 15-0369
Drawing-No	15-0369-002-CSU	Format	AH
		Sheet	1/1