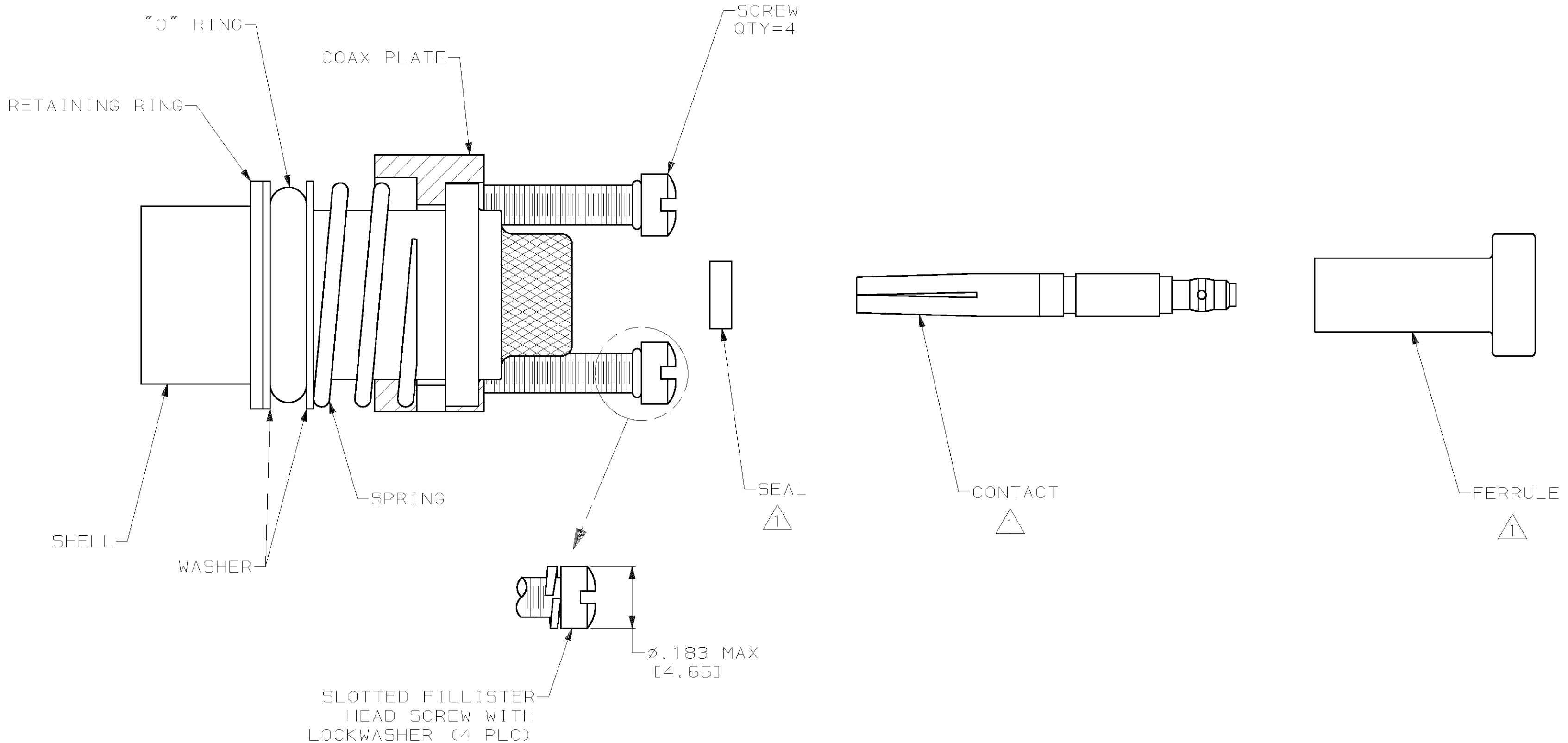


LOC		DIST		REVISIONS				
DF	AO	P	F	ZONE	LTR	DESCRIPTION	DATE	APPD
				C		ADD -4 PER OG3D-0019-99	7-99	CT 56

⚠ PARTS PACKAGED UNASSEMBLED



446709-4 ONLY

DESCRIPTION	PART NUMBER
SIZE ONE COAX KIT FOR RG 142, 142A OR 142B WITH SPECIAL SCREWS	446709-4
SIZE ONE COAX KIT FOR 393	446709-3
SIZE ONE COAX KIT FOR ECS 311201	446709-2
SIZE ONE COAX KIT FOR RG 142, 142A OR 142B	446709-1

DO NOT SCALE PRINT. UNLESS SPECIFIED DIMENSIONS IN INCHES [mm] TOLERANCES ON : 2 PLC DEC ± - 3 PLC DEC ± - ANGLES ± - MATERIAL -	DR M.E.PASTAL 7-26-89	AMP INCORPORATED Harrisburg, Pa. 17105	
	CHK ROBERT HOSSLER 7-27-89		
FINISH -	APPD ROBERT HOSSLER 7-27-89	NAME	
	APPD P.FISHER 7-27-89	SIZE #1 COAX SUBASSEMBLY KIT, SOCKET, 71C1, ARINC600	
PRODUCT SPEC -	APPLICATION SPEC -	SIZE C	CAGE CODE 00779
WEIGHT -	SCALE 4:1	DRAWING NO 446709	
		SHEET 1 of 1	