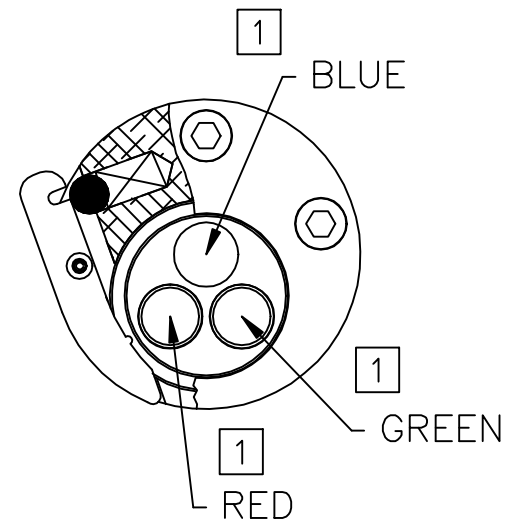
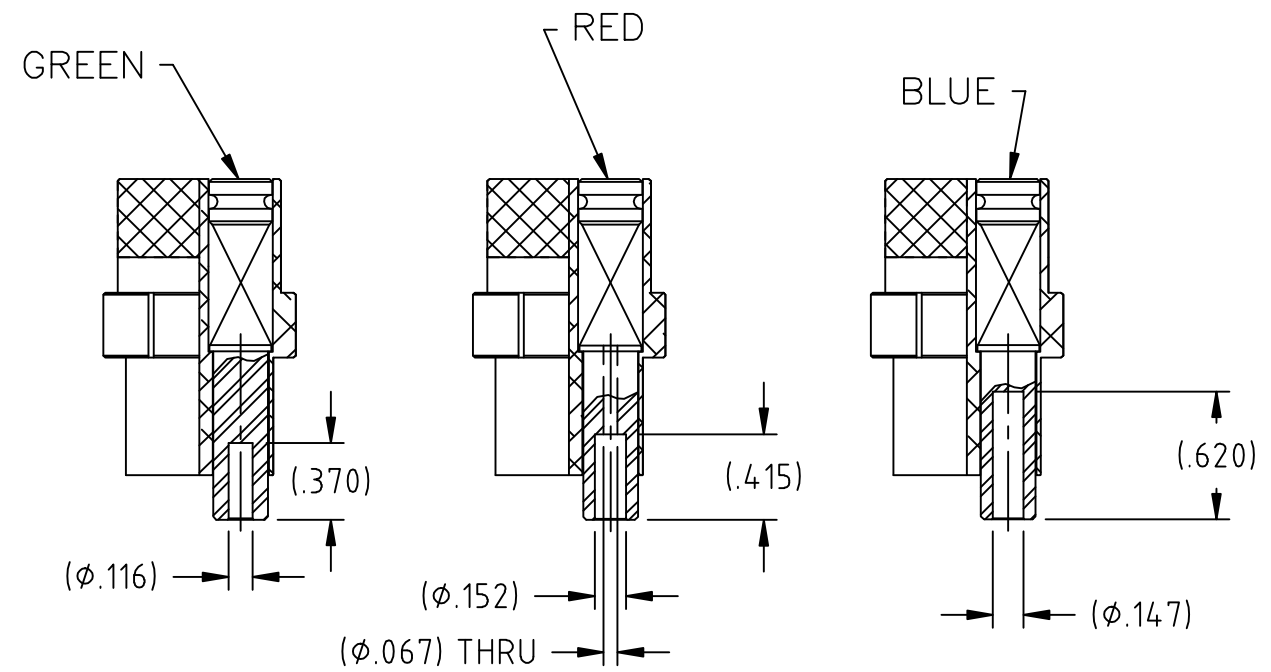
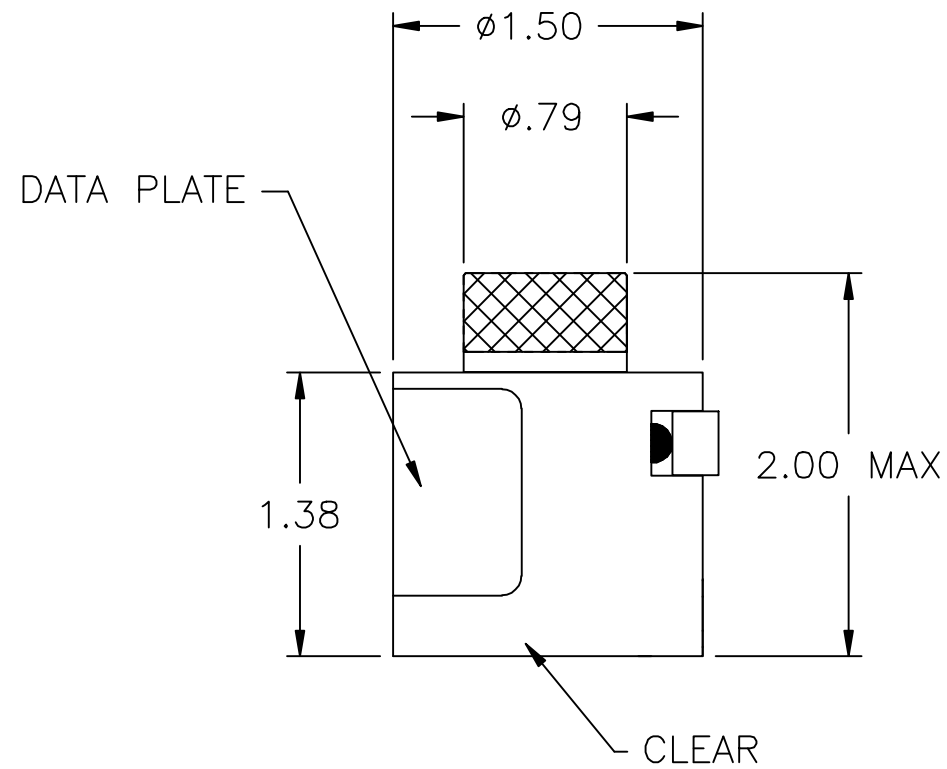


**UNCONTROLLED DOCUMENT  
WILL NOT BE UPDATED**



1  
RANDOM ORDER OF ROTATION IS  
ACCEPTABLE



TYPICAL CONSTRUCTION

CUSTOMER	CONTACTS	COLOR CODE	26	24	22	20	18	16	14	WIRE SIZE	SELECTOR NO.
HUGHES	UP20Y20C000	RED		2	3	3					
	US20Y20C000										
	UP16Y18C000				5	5	5				
	US16Y18C000										
	UP16Y14C000								6	6	
	US16Y14C000										
	RS20N20C000	BLUE		2	3	3					
	RS16N16C001					4	5	5			
	RS22N16C000					4	5	5			
	RS22N22C000	GREEN	3	3	3						

DATA PLATE

THESE DRAWINGS, SPECIFICATIONS OR OTHER DATA ARE AND REMAIN, THE PROPERTY OF ASTRO TOOL CORP. AND MUST BE RETURNED UPON REQUEST. THEY CONTAIN INFORMATION OWNED AND/OR DEVELOPED BY ASTRO AT ITS OWN PRIVATE EXPENSE AND MAY NOT BE USED, DUPLICATED OR DISCLOSED TO OTHERS, IN WHOLE OR IN PART FOR DESIGN, MANUFACTURE OR PROCUREMENT WITHOUT THE WRITTEN PERMISSION OF ASTRO TOOL CORP. EACH AND EVERY TIME.

SCALE: N.T.S.  
DWN BY: DY0  
DATE: 05-17-10  
APPROVED:

UNLESS OTHERWISE SPECIFIED:  
DECIMALS:  
.XXX ± .005  
.XX ± .010  
.X ± .030  
ANGLES: ± 1°

**ASTRO TOOL CORP.**  
21615 S.W. TUALATIN VALLEY HWY., BEAVERTON OR 97006  
CAGE 58164

DESCRIPTION: ENVELOPE DRAWING: 650041  
TURRET ASSEMBLY

PART NO. B 650041-ENV

REV.	DESCRIPTION	BY	DATE	APR.
A	NEW RELEASE.	DY0	05-17-10	MMK

NOTES: 1. THIS IS AN AUTOCAD DRAWING DO NOT CHANGE MANUALLY.