

THIS DRAWING IS UNPUBLISHED.

RELEASED FOR PUBLICATION

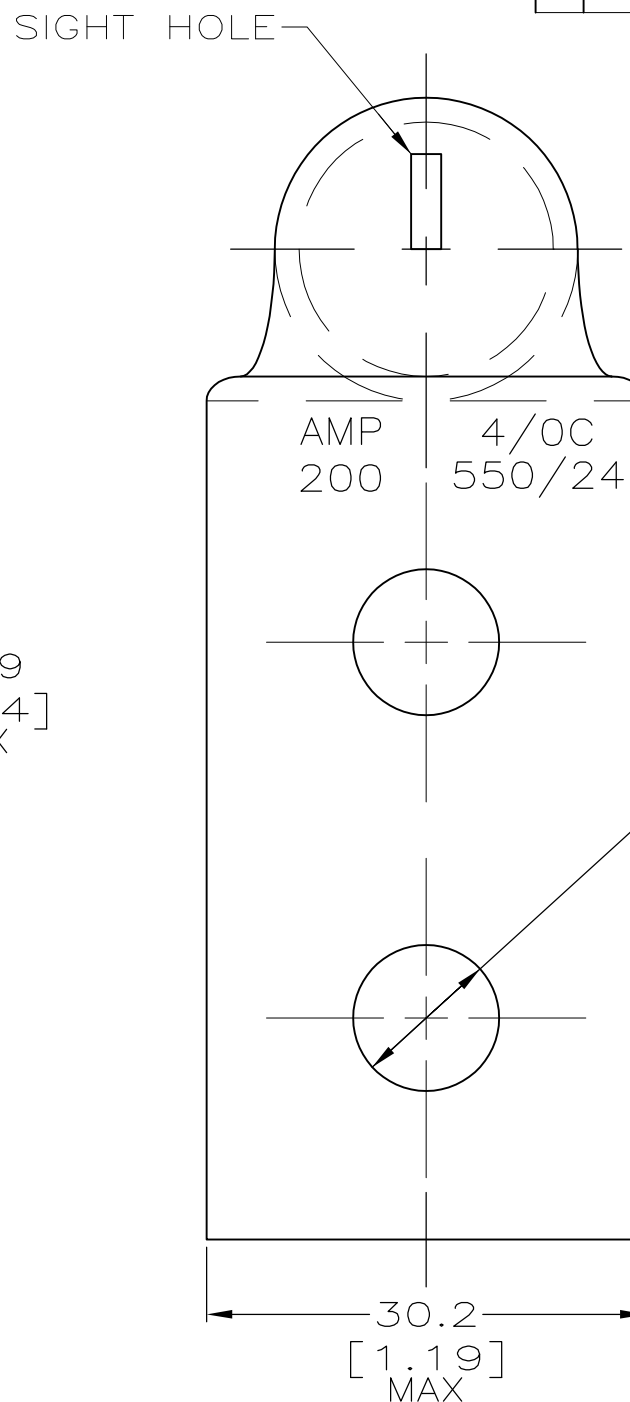
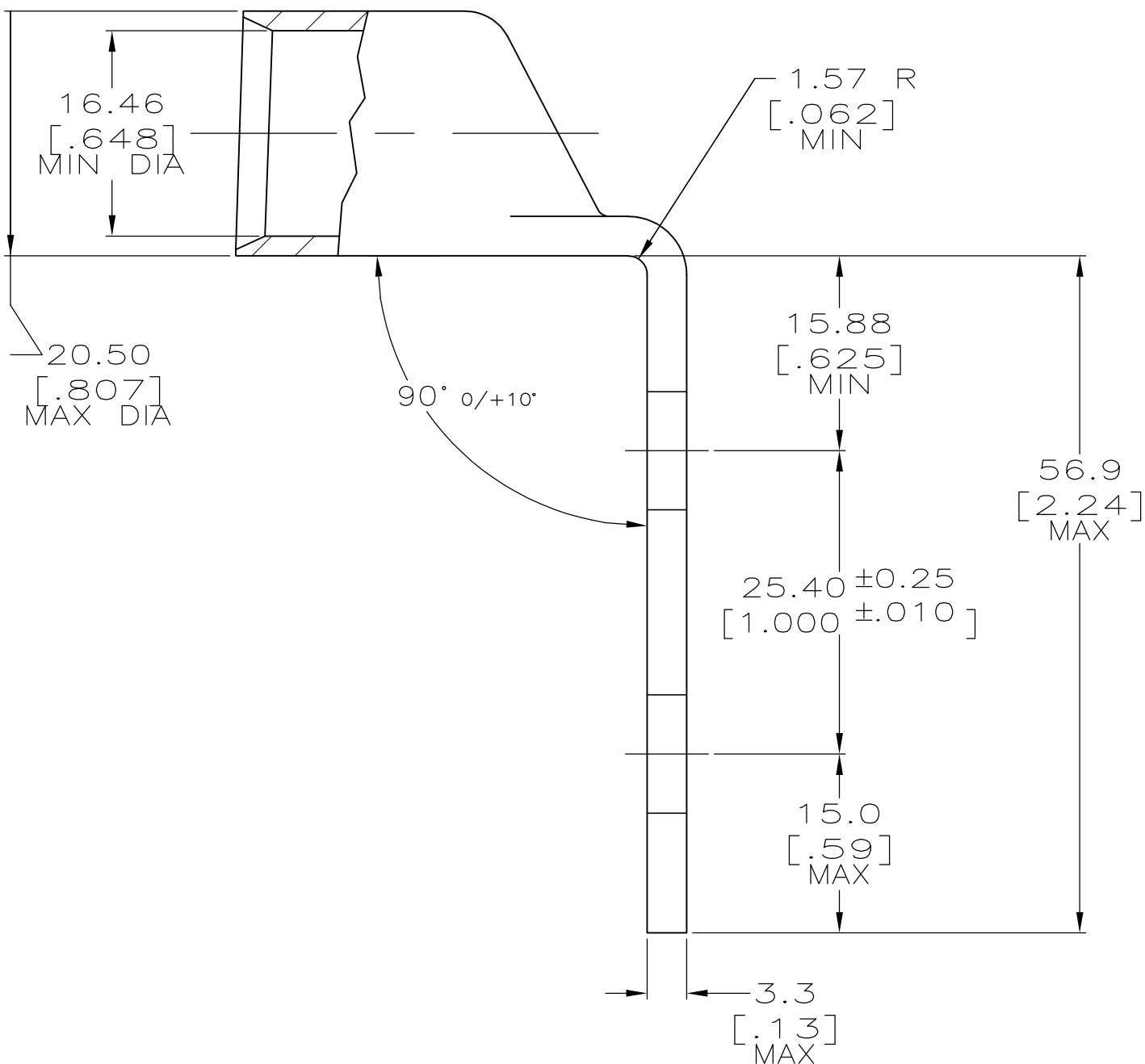
ALL RIGHTS RESERVED.

© COPYRIGHT - By -

LOC G DIST 86

REVISIONS

P	LTR	DESCRIPTION	DATE	DWN	APVD
B1		ECR-12-007790	26APR2012	PK	HK



54634-2

TE P/N

THIS DRAWING IS A CONTROLLED DOCUMENT.		DWN DK SCHRUM 04MAR96	STE TE Connectivity		
DIMENSIONS: INCHES		CHK WJ VOCKROTH 11MAR96			
TOLERANCES UNLESS OTHERWISE SPECIFIED:		APVD JL MECKLEY 11MAR96	NAME		
0 PLC ± -		PRODUCT SPEC 108-30200	TERMINAL, BENT 90, AMPOWER, WIRE SIZE: 4/0 AWG		
1 PLC ± -		APPLICATION SPEC	SIZE	CAGE CODE	DRAWING NO
2 PLC ± -		—	A3	00779	C-54634
3 PLC ± -		WEIGHT .142 lbs	RESTRICTED TO		
4 PLC ± -		CUSTOMER DRAWING	—		
ANGLES ± -		SCALE 2:1	SHEET 1 OF 1		REV B1
MATERIAL COPPER	FINISH TIN PLATE				