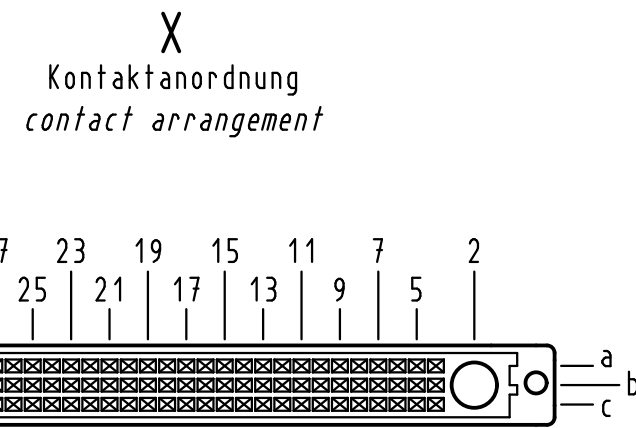
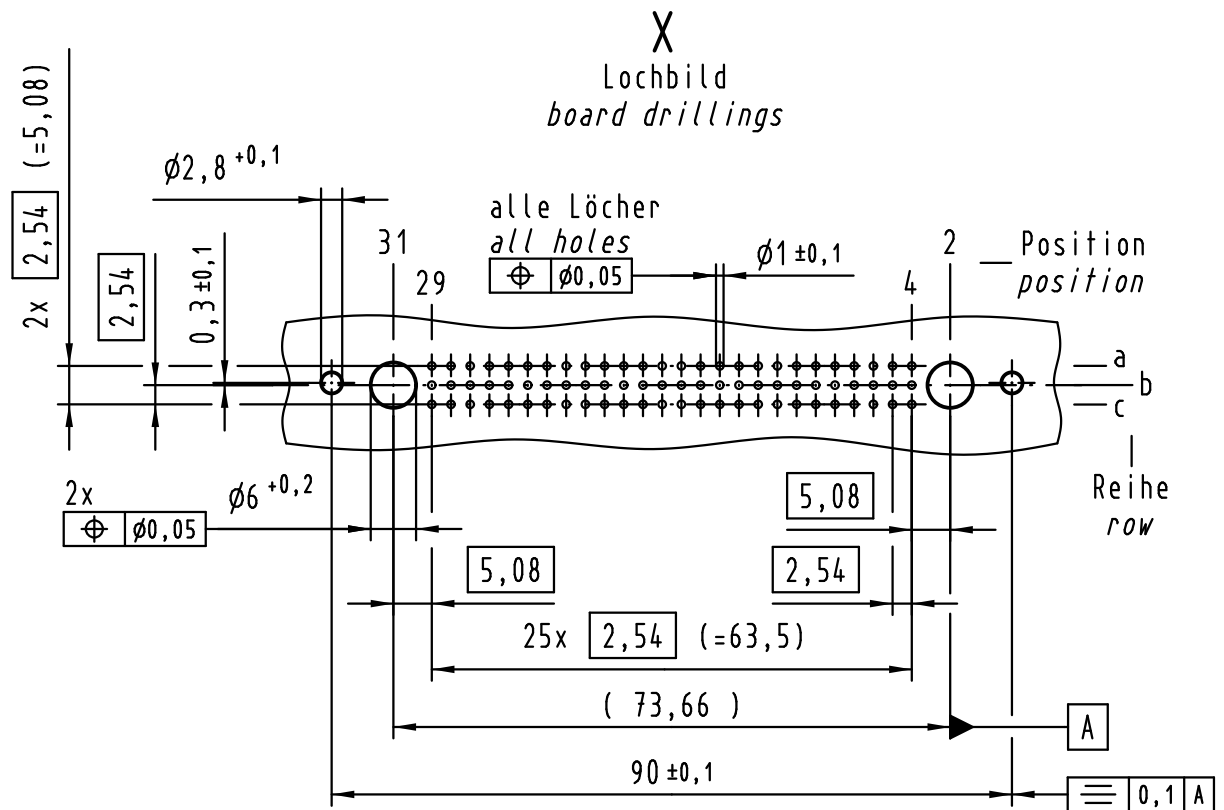


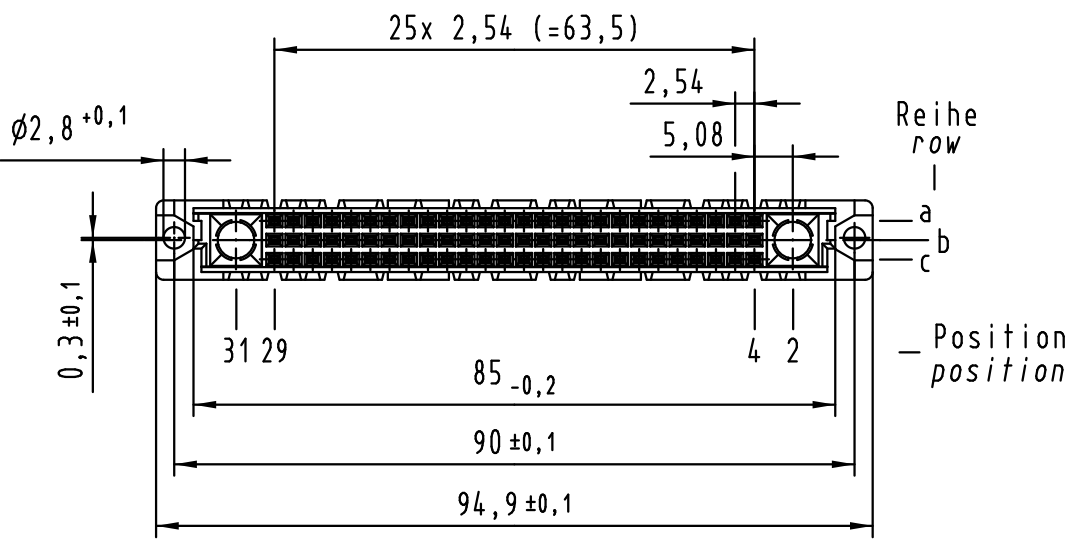
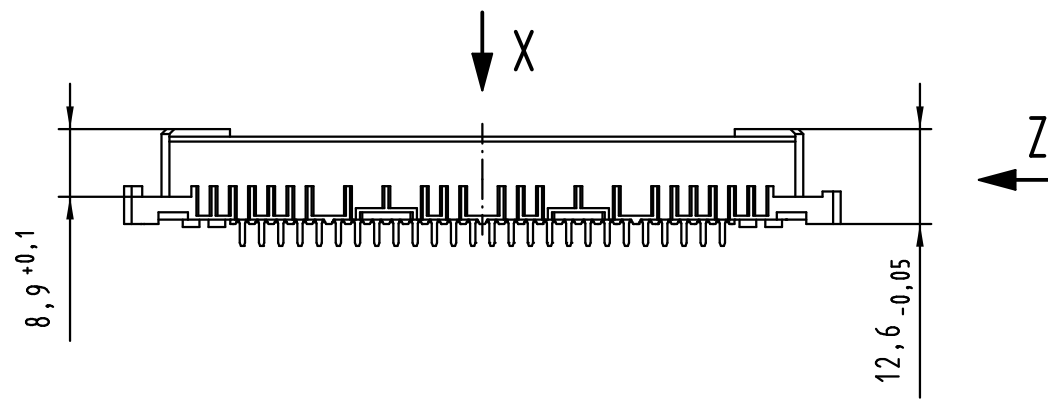
Alle Rechte vorbehalten/ All rights reserved



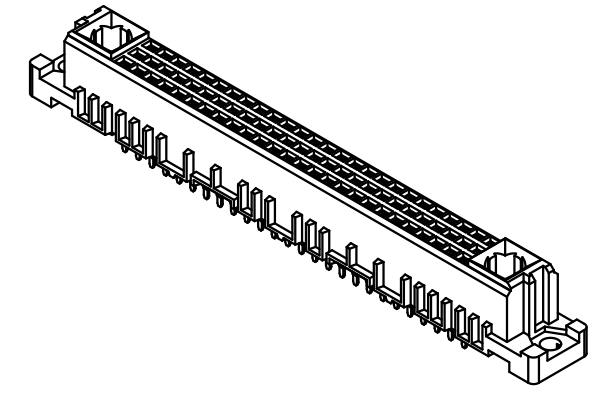
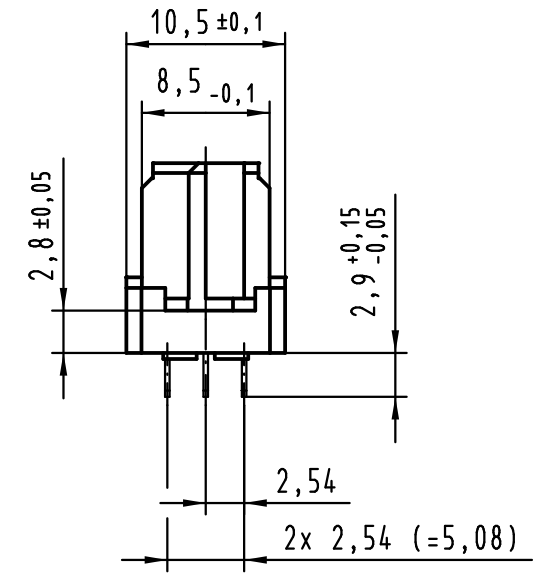
78 Einlöt Kontakte  
78 solder contacts

☒ = Einlöt Kontakt  
= solder contact

☐ = Kontaktposition nicht belegt  
= position without contact



Z (2:1)



① weitere Informationen siehe: DS 09 03 210 00 01  
further information see: DS 09 03 210 00 01

|                         |                                          |
|-------------------------|------------------------------------------|
| 09 03 278 6804          | 2                                        |
| Bestell-Nr.<br>part-no. | Anforderungsstufe<br>performance level ① |

| All Dimensions in mm<br>Original Size DIN A 3          |          |       | Techn. Character. |       |        | Nicht tolerierte Maß/Free size tolerances<br>IEC 60603-2 |                                                                                                          |                   |             |
|--------------------------------------------------------|----------|-------|-------------------|-------|--------|----------------------------------------------------------|----------------------------------------------------------------------------------------------------------|-------------------|-------------|
| Mod.                                                   | Dat.     | Name  | Detail.           | Insp. | Stand. | Maßstab/Scale<br>1:1                                     | har-bus M78 Federleiste<br>Einlöt 2,9 , 78-polig<br>har-bus M78 female connector<br>solder 2.9 , 78-pole |                   |             |
| 36414                                                  | 26.07.11 | Hage. | 15.10.99          | Rie.  |        |                                                          |                                                                                                          | TB 09 03 278 x804 | Blatt/ page |
| 30240                                                  | 23.05.02 | Rie.  | 15.10.99          | Pa.   |        |                                                          |                                                                                                          |                   |             |
| 26963                                                  | 24.01.00 | Rie.  |                   |       |        |                                                          |                                                                                                          |                   |             |
| 26090                                                  |          |       |                   |       |        |                                                          |                                                                                                          |                   |             |
| HARTING Electronics GmbH & Co. KG<br>D-32339 ESPELKAMP |          |       | Sub.              |       |        |                                                          |                                                                                                          |                   |             |