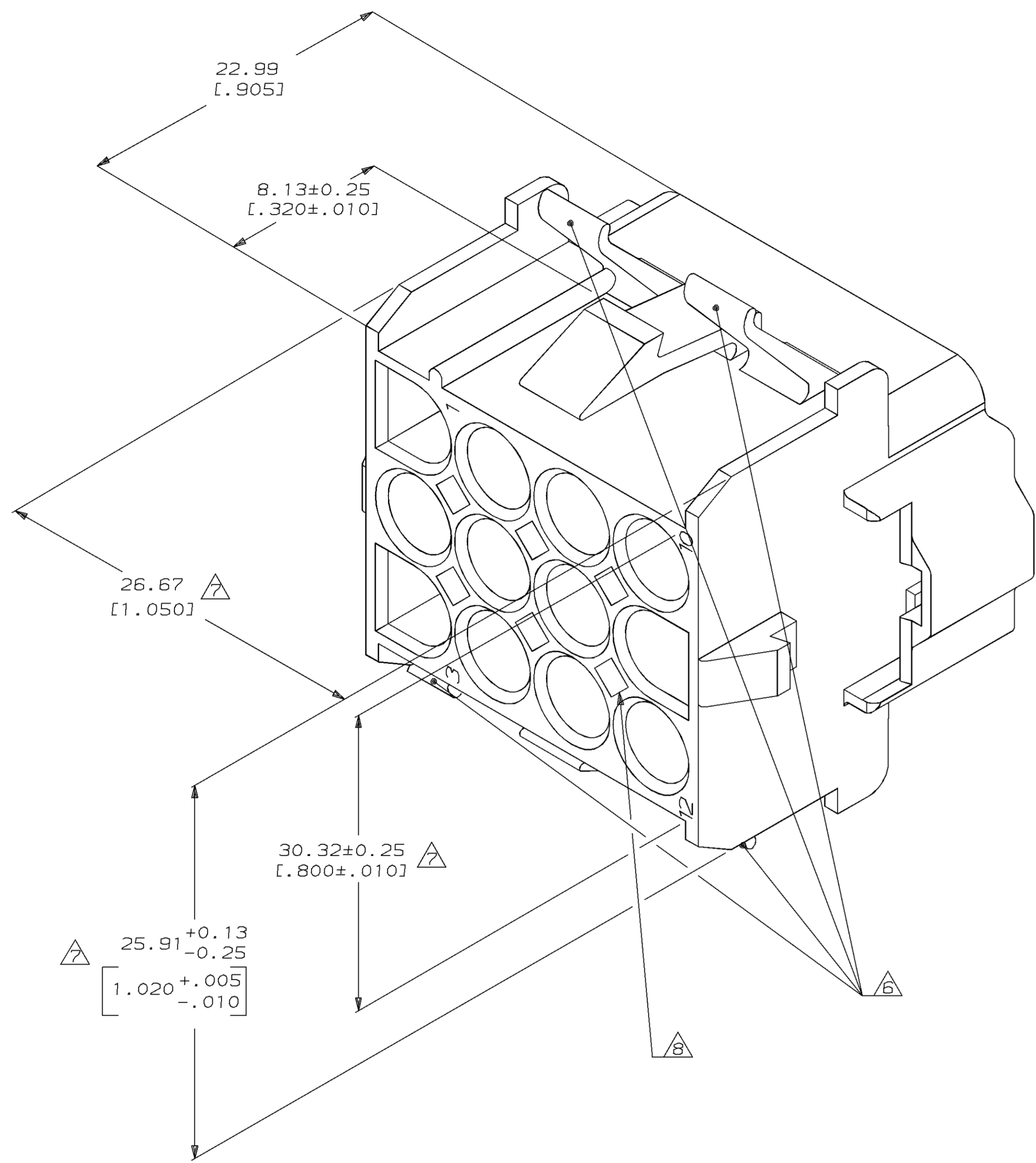
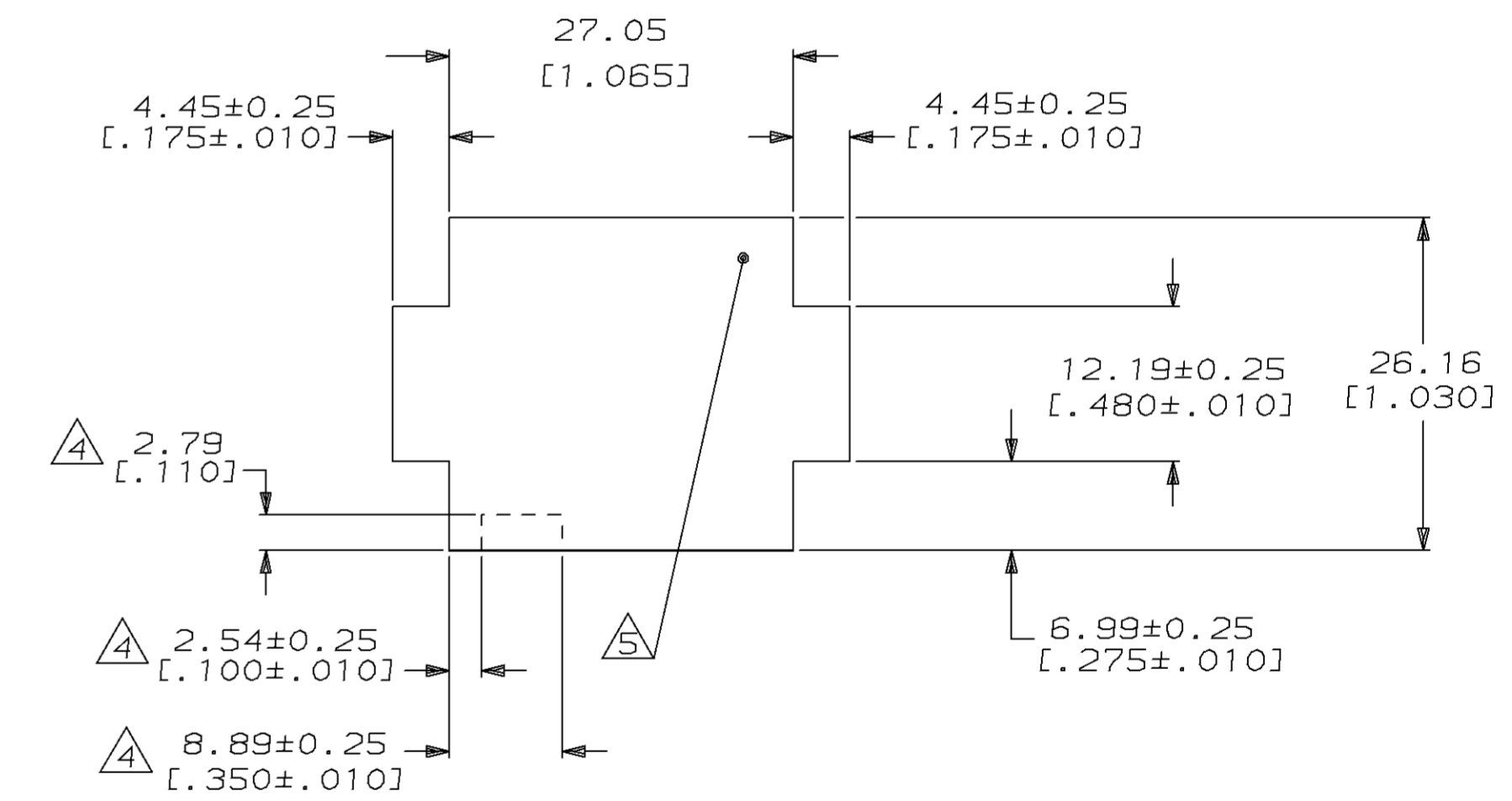


| LOC |    | DIST |  | P |  | F |  | ZONE |  | LTR |  | REVISIONS |                         | DATE   | APPD |
|-----|----|------|--|---|--|---|--|------|--|-----|--|-----------|-------------------------|--------|------|
| CM  | 53 |      |  |   |  |   |  |      |  |     |  | H         | REV PER EC 0730-0210-95 | 2-8-96 | RV   |



- MUST BE ASSEMBLED WITH CAP REAR P/N 770056-1 BEFORE MATING. KIT P/N IS 770029-1.
- RECOMMENDED PANEL THICKNESS 0.76-2.29 [.030-.090].
- PANEL MUST BE PUNCHED SO THAT THE HOUSING ENTERS THE PANEL IN THE SAME DIRECTION AS THE PUNCH.
- OPTIONAL FOR KEYING HOUSING IN PANEL.
- CIRCUIT NUMBER 1 LOCATION.
- AMP LOGO LOCATED ONCE ON ANY INDICATED SURFACE FAR SIDE.
- DIMENSION INDICATED IS AS MOLDED. ADDITIONAL GROWTH DUE TO SUBSEQUENT MOISTURE ABSORPTION MAY OCCUR.
- OPTIONAL CONSTRUCTION PROVIDES ROUND MATERIAL REDUCTION CORING HOLES.



RECOMMENDED PANEL CUTOUT  
 (HOUSING ENTRY SIDE)  
 SCALE 2:1



770055-1  
 PART NUMBER



|                                                                          |  |                          |  |                                                    |                  |
|--------------------------------------------------------------------------|--|--------------------------|--|----------------------------------------------------|------------------|
| DO NOT SCALE PRINT. UNLESS SPECIFIED DIMENSIONS IN INCHES TOLERANCES ON: |  | DR 1-15-92<br>K. SALMON  |  | AMP INCORPORATED<br>Harrisburg, Pa. 17105          |                  |
| 1 ± .005                                                                 |  | CHK 1-15-92<br>R. SWING  |  | NAME                                               |                  |
| 2 PLC DEC ± 0.13 [.005]                                                  |  | APPD 1-16-92<br>M. TRULL |  | CAP FRONT, 12 CIRCUIT,<br>UNIVERSAL MATE-N-LOK™ II |                  |
| ANGLES ±                                                                 |  | APPD 1-16-92<br>M. TRULL |  |                                                    |                  |
| MATERIAL<br>NYLON, UL94V-0,                                              |  | PRODUCT SPEC             |  | DRAWING NO<br>770055                               |                  |
| FINISH                                                                   |  | APPLICATION SPEC         |  | SIZE<br>D                                          | FSCM NO<br>00779 |
| WEIGHT                                                                   |  |                          |  | SCALE<br>5:1                                       | SHEET<br>1 OF 1  |

CUSTOMER DRAWING