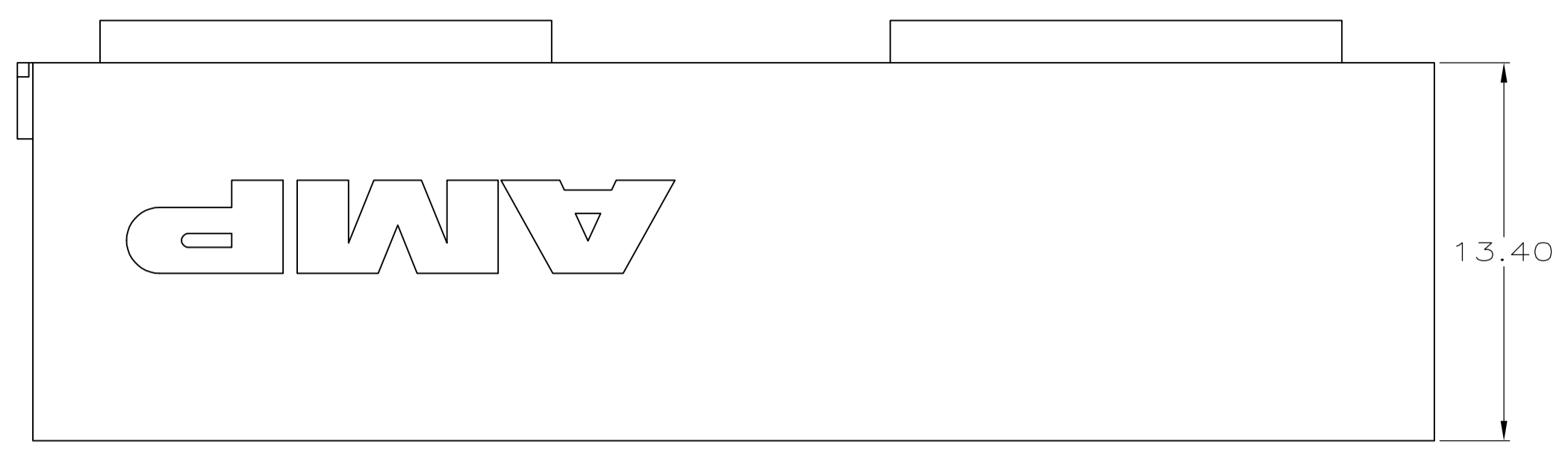
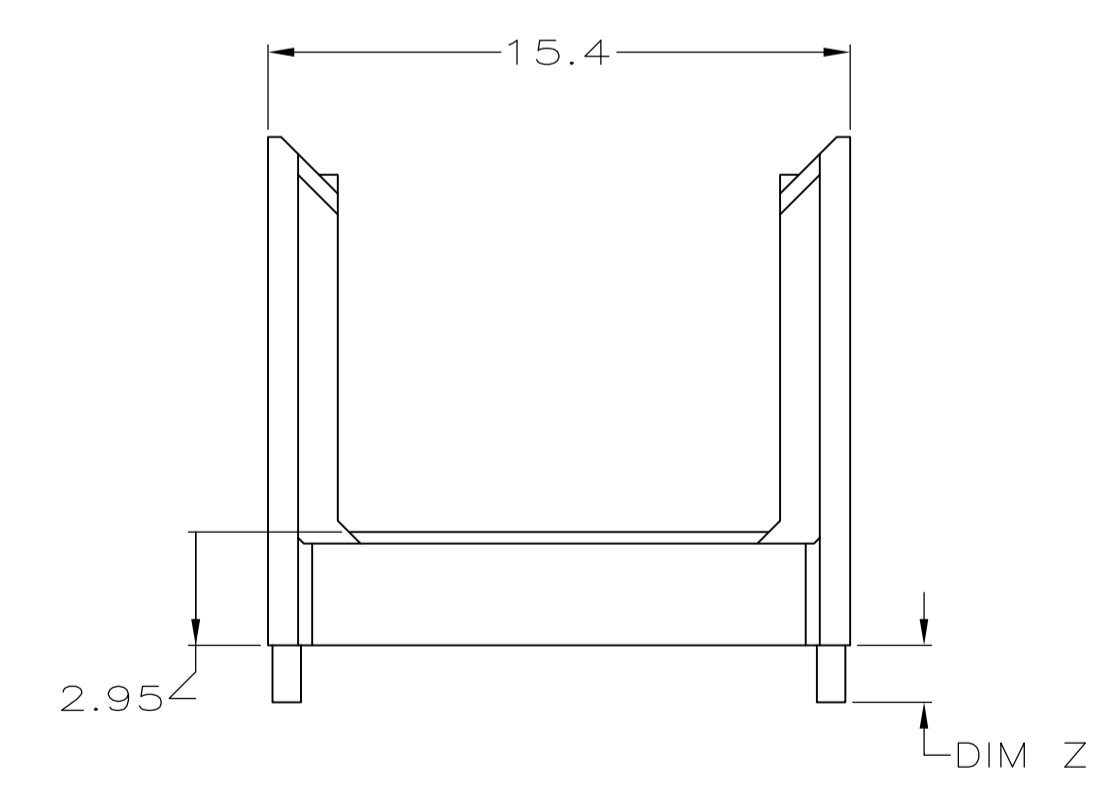
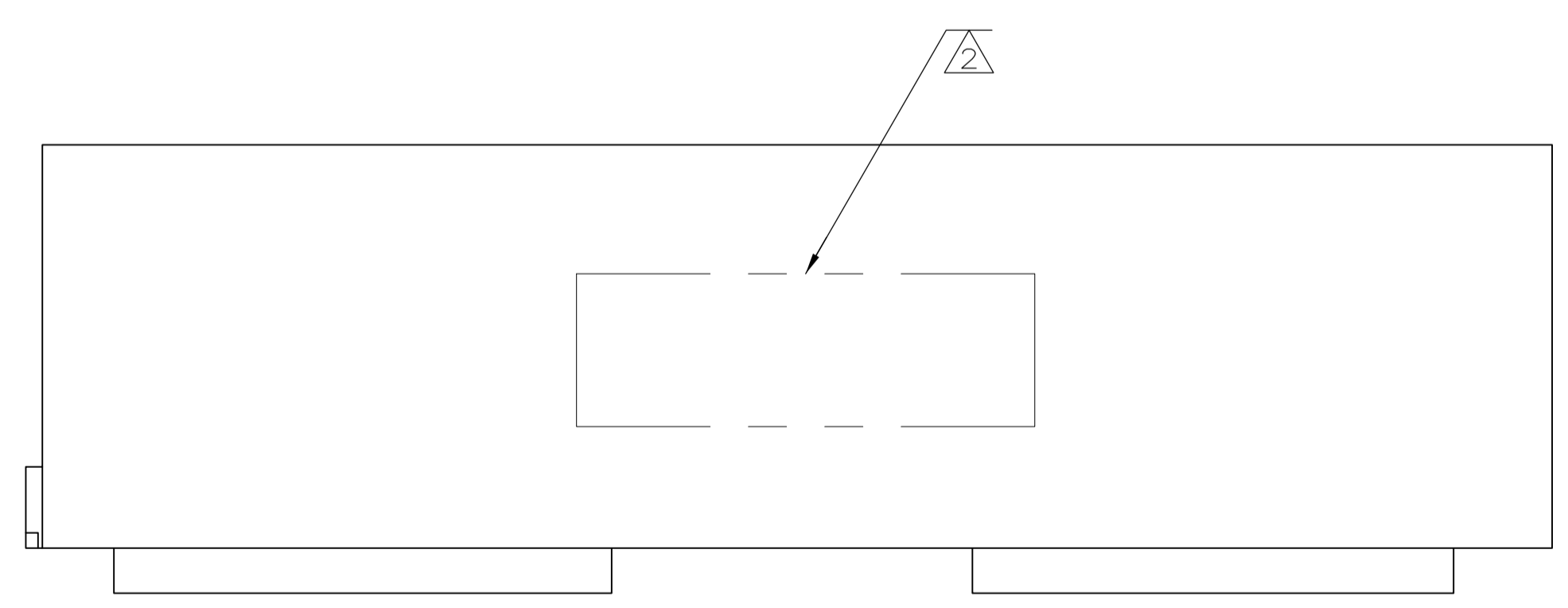
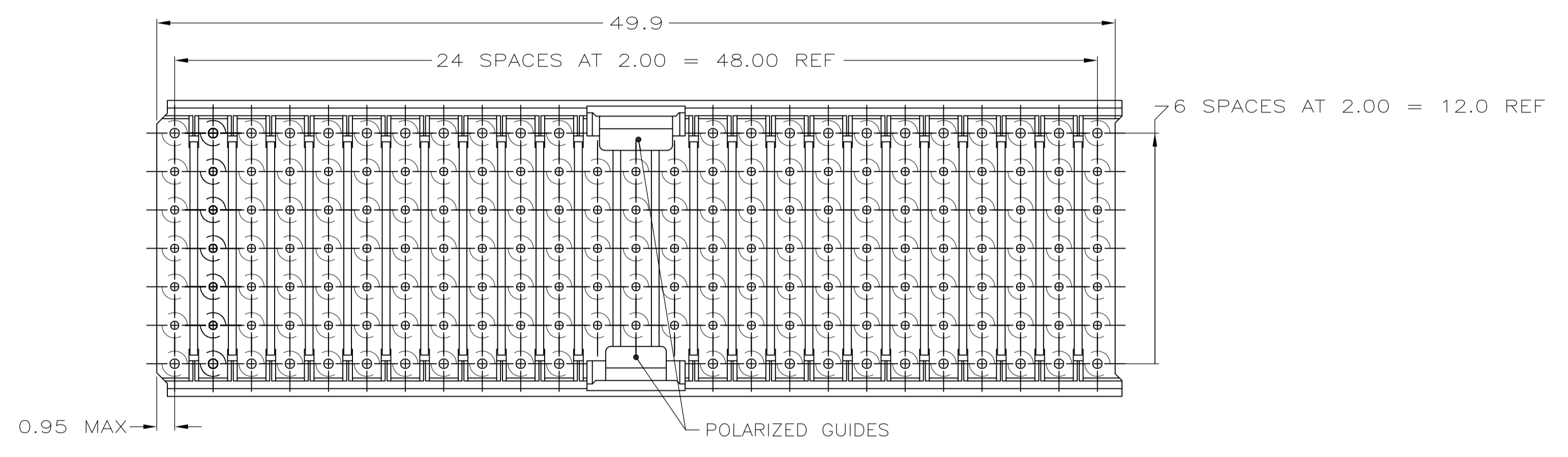


LOC		DIST		REVISIONS			
AD	47	REV	DATE	BY	CHKD	APVD	
A		REVISED PER ECO-07-027626	28NOV07	DH	JE		
B		ECR-10-019054	15SEP10	DP	MQW		



1 MATERIAL: GLASS FILLED POLYESTER.
 2 PART NUMBER MARKED IN APPROXIMATE AREA SHOWN.



1.90	646576-7
1.70	646576-6
1.50	646576-5
1.30	646576-4
1.10	646576-3
0.90	646576-2
-	646576-1
DIM Z	PART NUMBER

THIS DRAWING IS A CONTROLLED DOCUMENT.

DIMENSIONS: mm	TOLERANCES UNLESS OTHERWISE SPECIFIED:	DIN L BRINER 8/15/99	Tyco Electronics Corporation Harrisburg, PA 17105-3608
0-PLC ±	1-PLC ±0.1	CHK G SKIPPER 8/15/99	
2-PLC ±0.05	3-PLC ±0.05	APVD G SKIPPER 8/15/99	NAME SHROUD, TYPE A/B, Z-PACK 2mm HM, 5 ROW, 169 POSITION WITH GUIDE
4-PLC ±	ANGLES ±	PRODUCT SPEC	
MATERIAL 1	FINISH -	APPLICATION SPEC	RESTRICTED TO
CUSTOMER DRAWING		WEIGHT -	SIZE A1
SCALE 5:1		CAGE CODE 00779	DRAWING NO C=646576
SHEET 1 of 1		REV B	