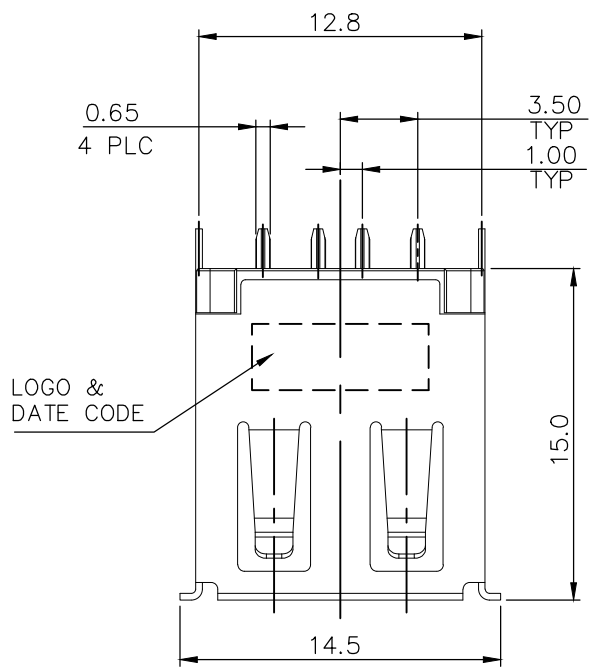
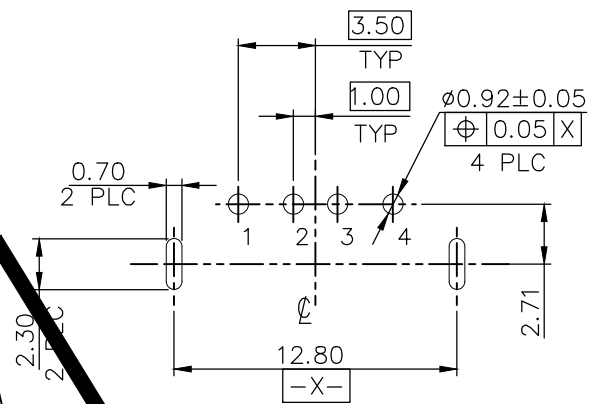


THIS DRAWING IS UNPUBLISHED. RELEASED FOR PUBLICATION AUG 2006
 © COPYRIGHT 2009 BY TYCO ELECTRONICS CORPORATION. ALL RIGHTS RESERVED.

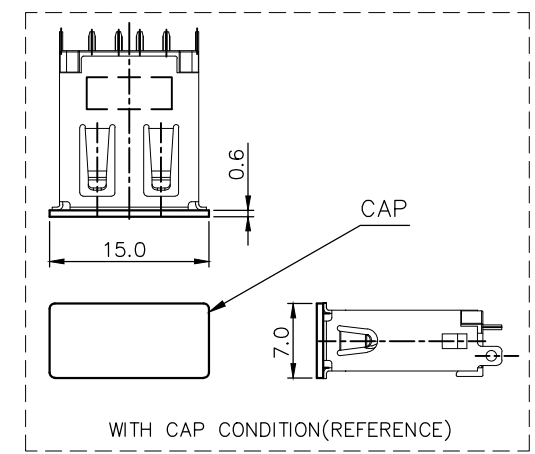
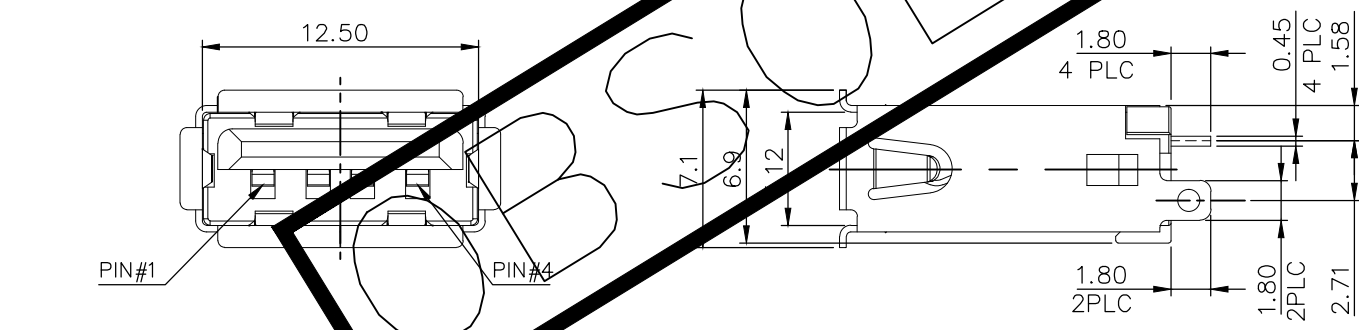
| LOC | DIST | REVISIONS | | | | | |
|-----|------|-----------|-----|-------------------------|----------|-----|------|
| DW | | P | LTR | DESCRIPTION | DATE | DWN | APVD |
| | | | B | RELEASED(ECR-15-013804) | 3MAR2016 | A.X | H.W |



NOTE:
 1. MATERIAL:
 HOUSING: THERMOPLASTIC(PA9T) WITH 30%GF, UL 94V-0, BLACK COLOR.
 CAP: THERMOPLASTIC(PA9T) WITH 30%GF, UL 94V-0, WHITE COLOR.
 CONTACT: PHOSPHOR BRONZE.
 SHELL: BARSS.
 2. FINISH:
 CONTACT: GOLD FLASH PLATING ON CONTACT AREA, 3.048 μm [120 μ"] MIN. MATTE TIN PLATING ON SOLDER TAILS. 1.27 μm [50 μ"] MIN. NICKEL UNDERPLATING OVER SOLDER TAIL.
 SHELL: 0.762 μm [30 μ"] MIN. NICKEL PLATED OVER SOLDER TAIL. 0.762 μm [30 μ"] MIN. Cu UNDERPLATING OVER SOLDER TAIL.
 3. REFLOW SOLDER CAPABLE TO 260°C PER TE SPEC 109-201, CONDITION B.



RECOMMEND P.C.B LAYOUT (THICKNESS 1.6mm)
 (COMPONENT SIDE) TOLERANCE ±0.05mm



| | |
|-------------|-------------|
| TAPE & REEL | 2041230-1 |
| PACKAGE | PART NUMBER |

| | | | | | |
|---|--|-------------------|-----------|---|--|
| THIS DRAWING IS A CONTROLLED DOCUMENT. | | DWN | S. CHIEN | 25FEB2010 | Tyco Electronics Corporation Taipei, Taiwan |
| DIMENSIONS: MM | | CHK | S. CHIEN | 25FEB2010 | |
| TOLERANCES UNLESS OTHERWISE SPECIFIED: | | APVD | W. KODAMA | 25FEB2010 | NAME |
| 0 PLC ± - 1 PLC ± 0.30 2 PLC ± 0.20 3 PLC ± 0.15 4 PLC ± - ANGLES ± 3° | | PRODUCT SPEC | | USB CONNECTOR, A SERIES, VERTICAL, DIP TYPE | |
| MATERIAL SEE NOTE | | APPLICATION SPEC | | SIZE CAGE CODE DRAWING NO RESTRICTED TO | |
| FINISH SEE NOTE | | WEIGHT 2.02 GRAMS | | A300779 C=2041230 | |
| | | CUSTOMER DRAWING | | SCALE SHEET 1 OF 1 REV B | |