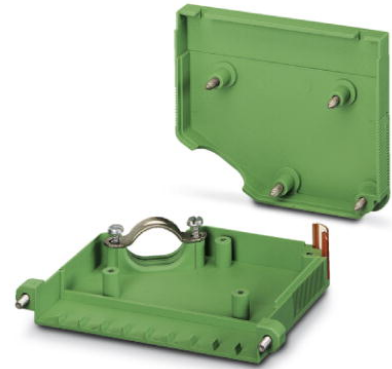



# KGS-PC 4/ 8-F

Order No.: 1837379



<http://eshop.phoenixcontact.de/phoenix/treeViewClick.do?UID=1837379>

Cable housing, Pitch: 0 mm, Number of positions: 8, Dimension a: 62.76 mm, Color: green

Commercial data	
GTIN (EAN)	 4 017918 111380
sales group	E590
Pack	10 pcs.
Customs tariff	85369010
Catalog page information	Page 377 (CC-2009)

### Product notes

WEEE/RoHS-compliant since:  
01/01/2003



<http://www.download.phoenixcontact.com>  
Please note that the data given here has been taken from the online catalog. For comprehensive information and data, please refer to the user documentation. The General Terms and Conditions of Use apply to Internet downloads.

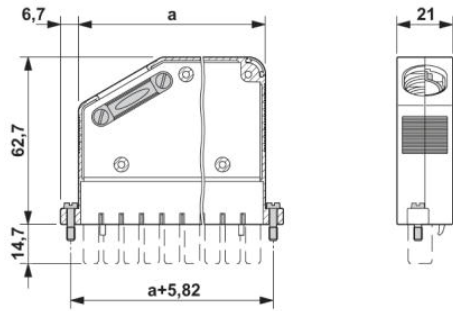
### Accessories

Item	Designation	Description
<b>Marking</b>		
1784914	KGS-MSTB 2,5/ DST	Transparent label carrier, can be marked with marker strips SBS 2.5/7.5
1007604	SBS 2,5/7,5	Marker strips, unprinted, for individual labeling, perforated, white plastic, 10-section, lettering field size: 15 x 7.5 mm

## Diagrams/Drawings

Dimensioned drawing

---



**Address**

PHOENIX CONTACT Inc., USA  
586 Fulling Mill Road  
Middletown, PA 17057, USA  
Phone (800) 888-7388  
Fax (717) 944-1625  
<http://www.phoenixcon.com>



© 2011 Phoenix Contact  
Technical modifications reserved;