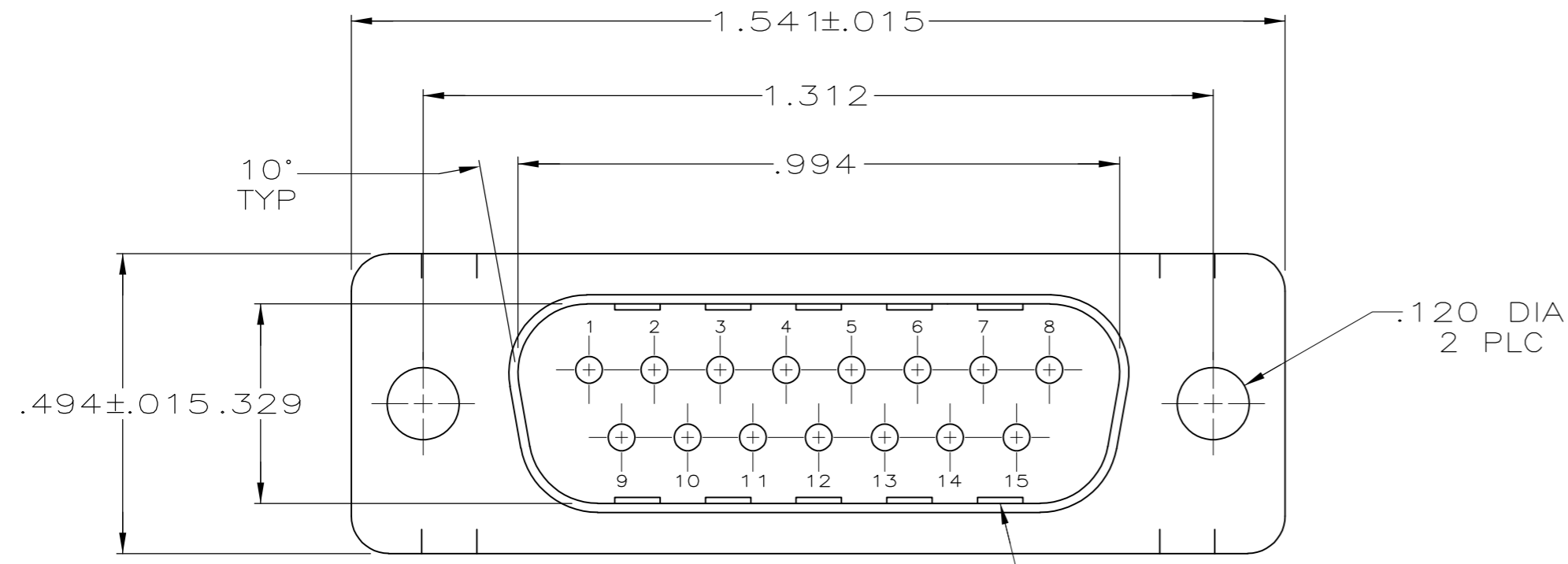
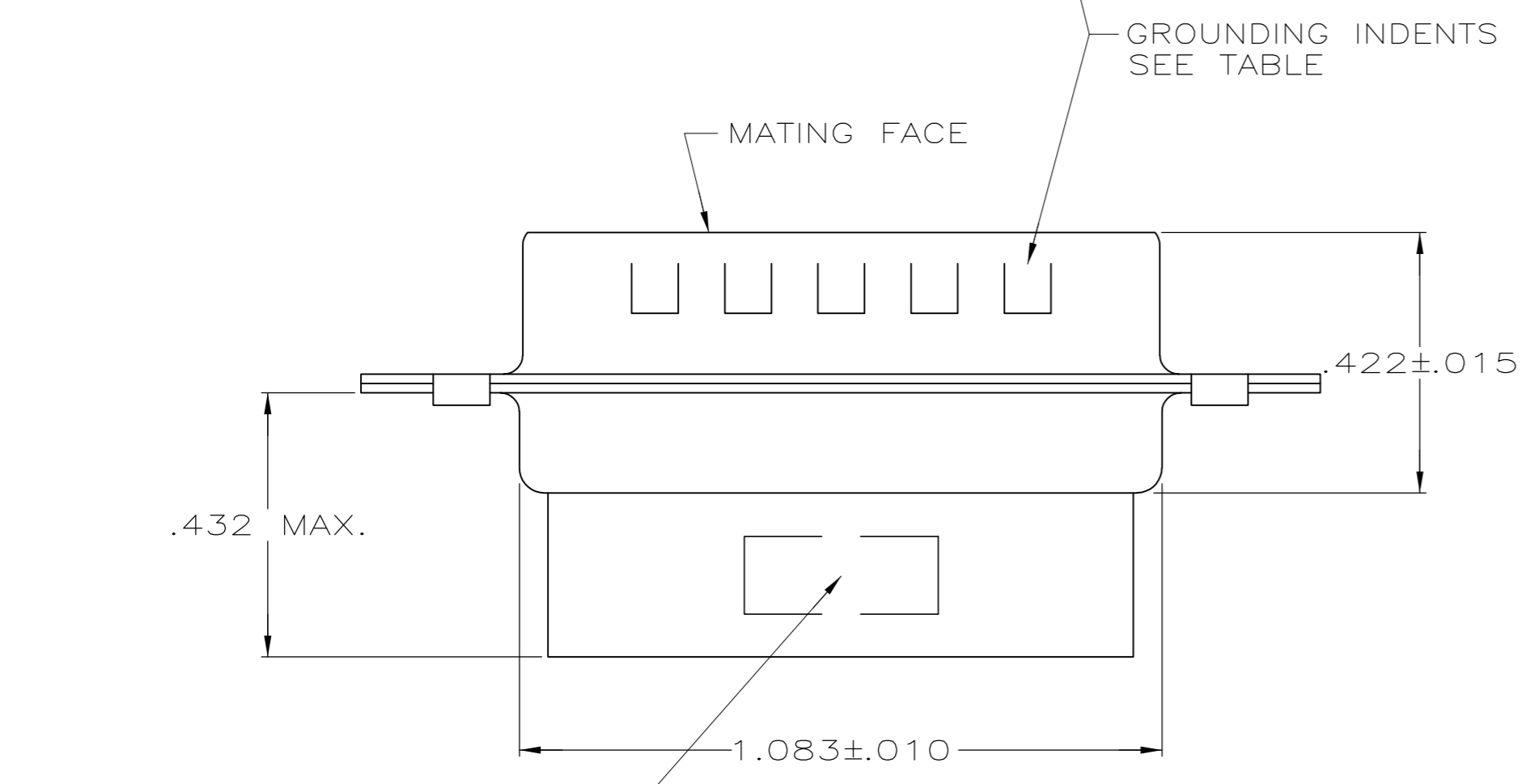


THIS DRAWING IS UNPUBLISHED. RELEASED FOR PUBLICATION
 © COPYRIGHT - By - ALL RIGHTS RESERVED.

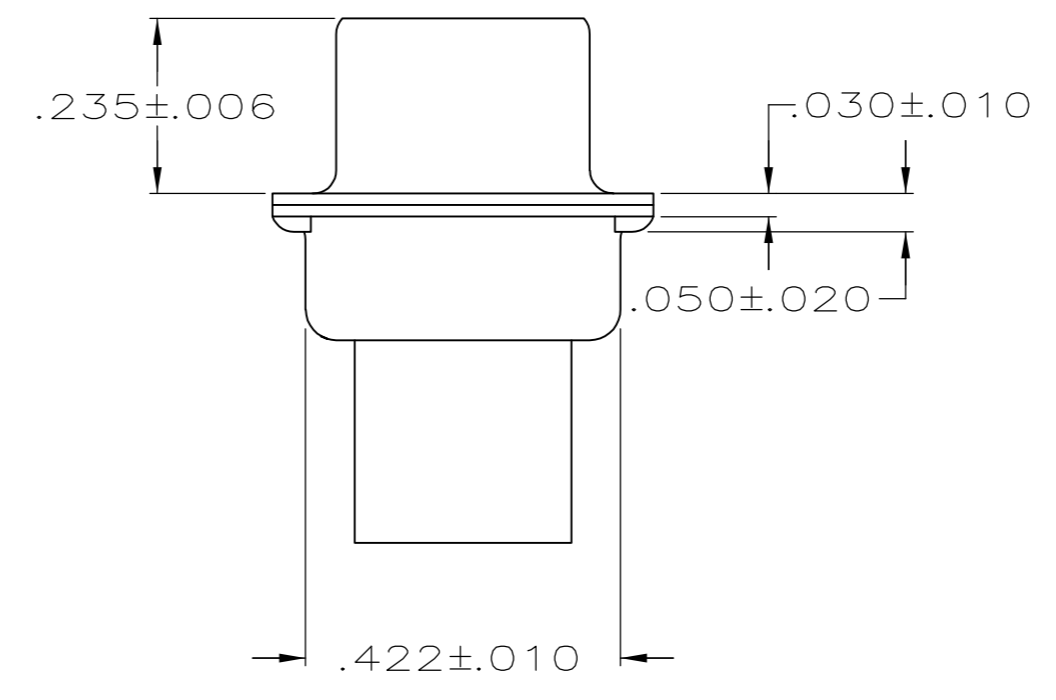
LOC		DIST		REVISIONS			
P	LTR	DESCRIPTION	DATE	DWN	APVD		
GP	00						
	K3	REVISED PER ECO-11-004835	11MAR11	RK	HMR		



- CONNECTOR ACCEPTS SIZE 20 DF PIN CONTACTS, RETENTION TINES ARE AN INTEGRAL PART OF INSERT.
- CONNECTOR COMPLIES WITH 108-40005 WHERE APPLICABLE.
- NYLON, FLAME RETARDANT, 94V-0 RATED, GLASS FILLED, BLACK.
- STEEL PER ASTM A109.
- ZINC PLATED PER ASTM B633; TYPE II; CLASS SC1; YELLOW CHROMATE.
- TIN OR TIN-LEAD PLATED OVER COPPER UNDERPLATE.
- TIN PLATED OVER COPPER UNDERPLATE.
- ZINC PLATED .000200-.000400 THICK, YELLOW TRIVALENT CHROMIUM CHROMATE COATING.



"AMP", PART NO. & DATE CODE, MARKED IN AREA INDICATED, ON FAR SIDE



PACKAGING TYPE	SHELL FINISH	GROUNDING INDENTS	PART NUMBER
STANDARD	8	NO	205206-9
STANDARD	7	NO	205206-8
OBSOLETE SMALL PACK	5	NO	205206-6
STANDARD	7	YES	205206-3
OBSOLETE STANDARD	6	NO	205206-2
OBSOLETE STANDARD	5	NO	205206-1

THIS DRAWING IS A CONTROLLED DOCUMENT.		DWN	7-19-85	TE TE Connectivity	
		CHK	7-29-85		
DIMENSIONS: INCHES		TOLERANCES UNLESS OTHERWISE SPECIFIED:		NAME	
		0 PLC	± -	V.KUMAR	
		1 PLC	± -	PRODUCT SPEC	
		2 PLC	± -	APPLICATION SPEC	
		3 PLC	± .005		
		4 PLC	± -	SIZE	
		ANGLES	± 2°	CAGE CODE	
MATERIAL		FINISH		DRAWING NO	
MOLDED PARTS: 3		SHELLS: SEE TABLE		RESTRICTED TO	
SHELLS: 4				SCALE	
				SHEET	
				REV	

Customer Drawing: A2 00779 C-205206
 Scale: NTS, Sheet: 1 of 1, Rev: K3