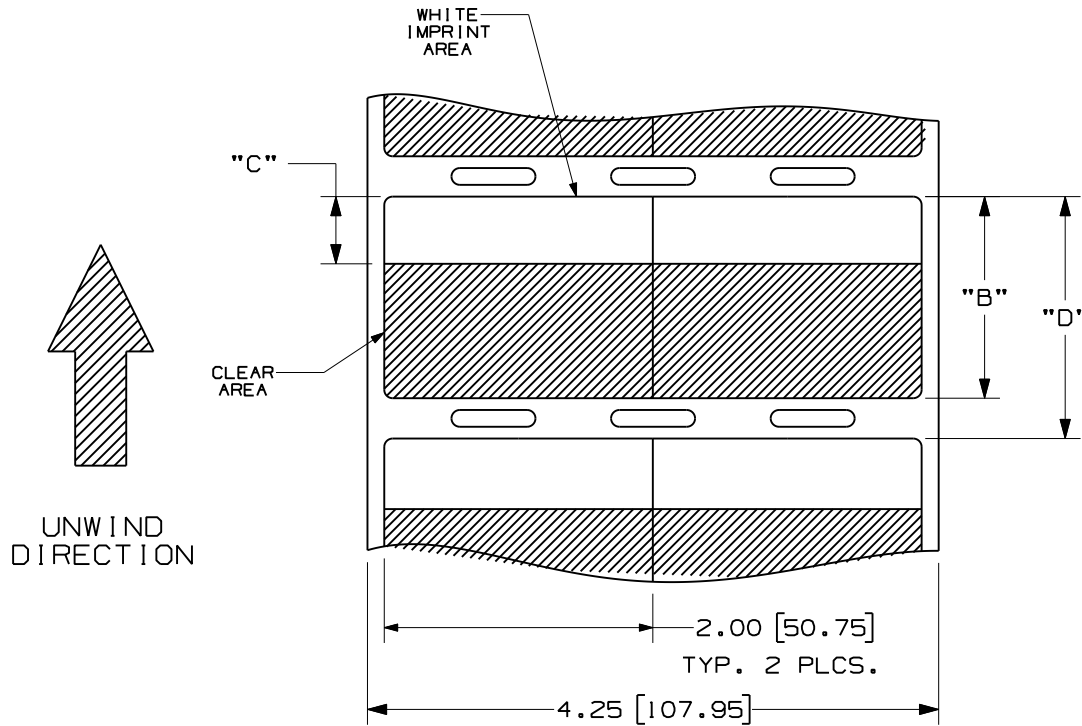


THIS COPY IS PROVIDED ON A RESTRICTED BASIS AND IS NOT TO BE USED IN ANY WAY DETRIMENTAL TO THE INTERESTS OF PANDUIT CORP.

PART NUMBER	MATERIAL	"B" HEIGHT	IMPRINT AREA "C" +/- .062	VERTICAL REPEAT "D"	LABELS PER ROW	STANDARD PKG. QTY.
S200X400T1T	GMTD1	4.00 [101.6]	1.00 [25.4]	4.25 [107.9]	2	500

NOTES:
1. MILLIMETERS ARE IN [].



CAD FILENAME/LAYERS 100619PH-DC-C10877/00A

PANDUIT CORP. TINLEY PARK, ILLINOIS

CUSTOMER DRAWING
PVDF SELF-LAM. S200X400T1T
THERMAL TRANSFER PRINTABLE LABELS

UNLESS OTHERWISE SPECIFIED,
DIMENSIONAL TOLERANCES ARE:
(.X) ± .12 (XXX) ± .025
(.XX) ± .062 ANGLES ±

UNLESS OTHERWISE SPECIFIED,
ALL DIMENSIONS ARE GIVEN
IN INCHES, THIRD ANGLE PROJECTION.

DRAWN BY
RVU

MAT'L:

SCALE NTS

DATE
12/13/10

SEE TABLE

DRAWING NO.
C10877

DWG
A
SIZE

REV	DATE	BY	CHK	DESCRIPTION	ECN	R	CUST	SUP
0	12/13/10	RVU		DRAWING RELEASE.	6245	R		