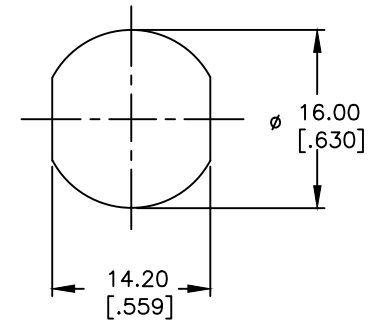
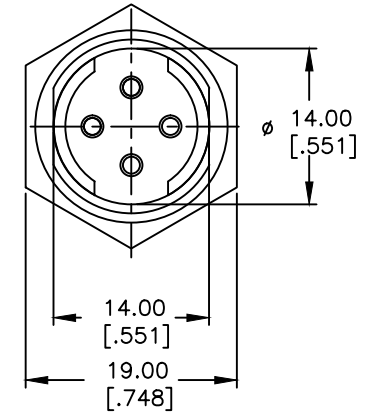
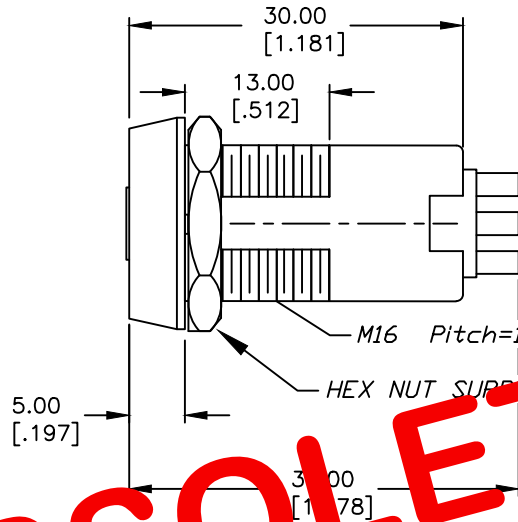


POS 2



OBSOLETE
MAY 2016
PCR 22309

NOTES:

1. ALL DIMENSIONS IN MM [INCH]
2. GENERAL TOLERANCE: X.X=±0.4
X.XX=±0.25
3. TERM. NOS. FOR REFERENCE ONLY.
4. RATING: 3A @125VAC, 1.5A @250VAC
5. CONTACT RESISTANCE: 10mILLI-OHMS
6. DIELECTRIC STRENGTH: 1000 VAC-1Minute
7. INSULATION RESISTANCE: 200 Mega-OHMS min.
8. MATERIALS:
HOUSING: ZINC ALLOY DIE CAST
CYLINDER: ZINC ALLOY W/CHROME PLATING
TERMINAL AND CONTACTS: SILVER PLATED
KEYS (2) KEY CODE 10002: TUBULAR
ZINC ALLOY, CHROME PLATING W/PLASTIC COVER

CIRCUIT: SPDT
CONTACT CONFIGURATION

| SWITCH FUNCTION | |
|-----------------|-------|
| POS 1 | POS 2 |
| ↑ | → |
| ON | ON |

LEGEND

- =INDICATES KEY PULL
- X =INDICATES NO KEY PULL

RECOMMENDED PANEL CUTOUT

E-SWITCH®

| | | | | | | | | | |
|-------|-------|------|--------|----|--------------|-----|---------|-----|---|
| TITLE | | | | | K0104B-10006 | | | | |
| SCALE | 1.5:1 | DATE | 2/4/04 | DR | AR | DWG | K300107 | REV | A |

THE INFORMATION CONTAINED IN THIS DOCUMENT IS PROPRIETARY TO E-SWITCH AND IS NOT TO BE COPIED OR TRANSFERRED