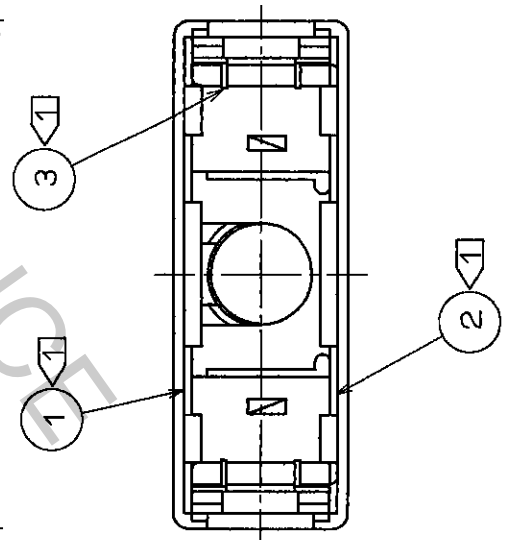
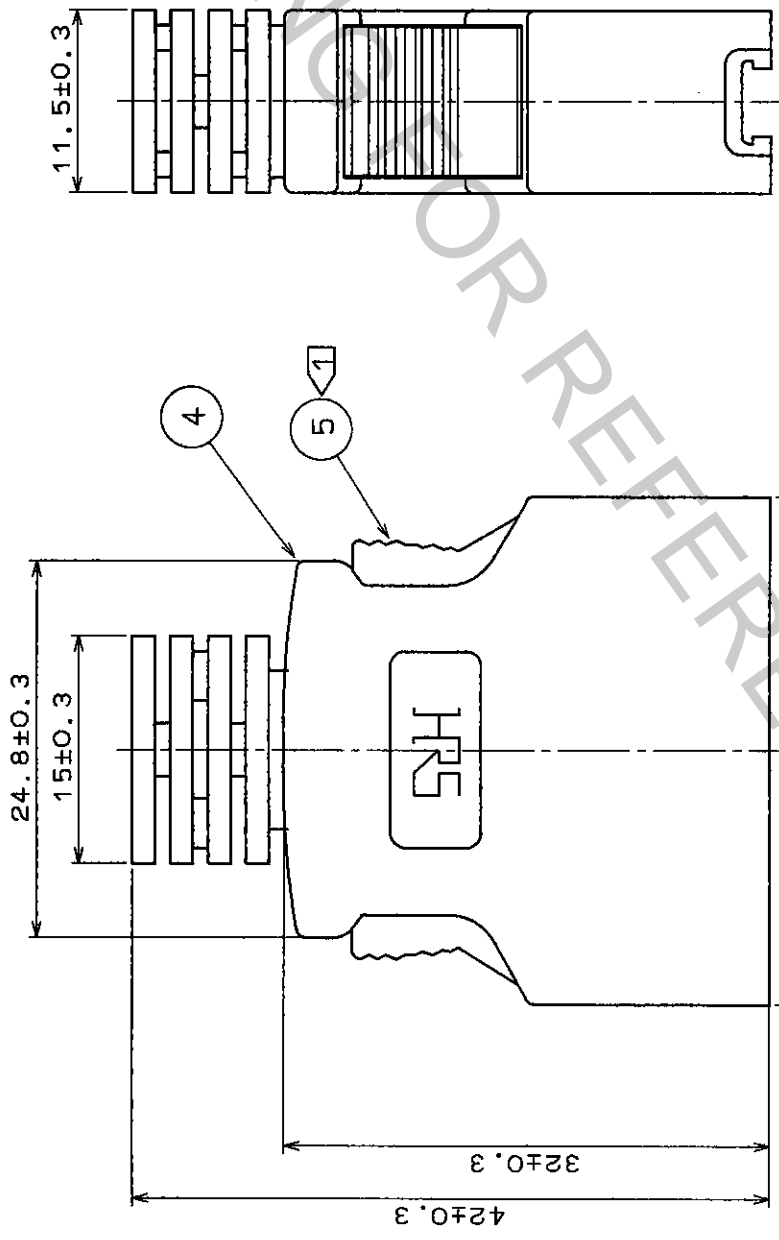
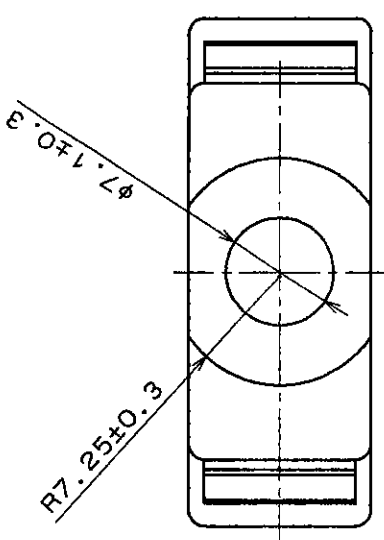


In case that the application demands a high level of reliability, such as automotive, please contact a company representative for further information.



NO.	DESCRIPTION OF REVISIONS	BY	CHKD	DATE	COUNT	DESCRIPTION OF REVISIONS	BY	CHKD	DATE
1					1				
2					1				
3					1				

NOTE 1: PARTS NO. ① ② ③ AND ⑤ ARE APPENDED PRODUCTS.

NO.	MATERIAL	FINISH, REMARKS	NO.	MATERIAL	FINISH, REMARKS
3	STAINLESS STEEL		5	POLYCARBONATE	(COLOR: LIGHT BEIGE)UL94V-2
2	STAINLESS STEEL		4	POLYCARBONATE	(COLOR: LIGHT BEIGE)UL94V-2
1	STAINLESS STEEL				

CODE NO. (OLD)	DRAWN	DESIGNED	CHECKED	APPROVED	RELEASED
	<i>E. Minamide</i>	<i>Yoshikazu</i>	<i>H. Tanaka</i>	<i>[Signature]</i>	
	76.7.5	96.7.5	96.7.5	96.7.5	96.7.5

DRAWING NO. EDC3-42481 SCALE 2:1 UNITS mm	PART NO. DX30M-26-CV CODE NO. CL230-5053-2
----------------------------------------------------------	-----------------------------------------------------

TO	
Q1	

HRS DRAWING OR REFER TO HRS