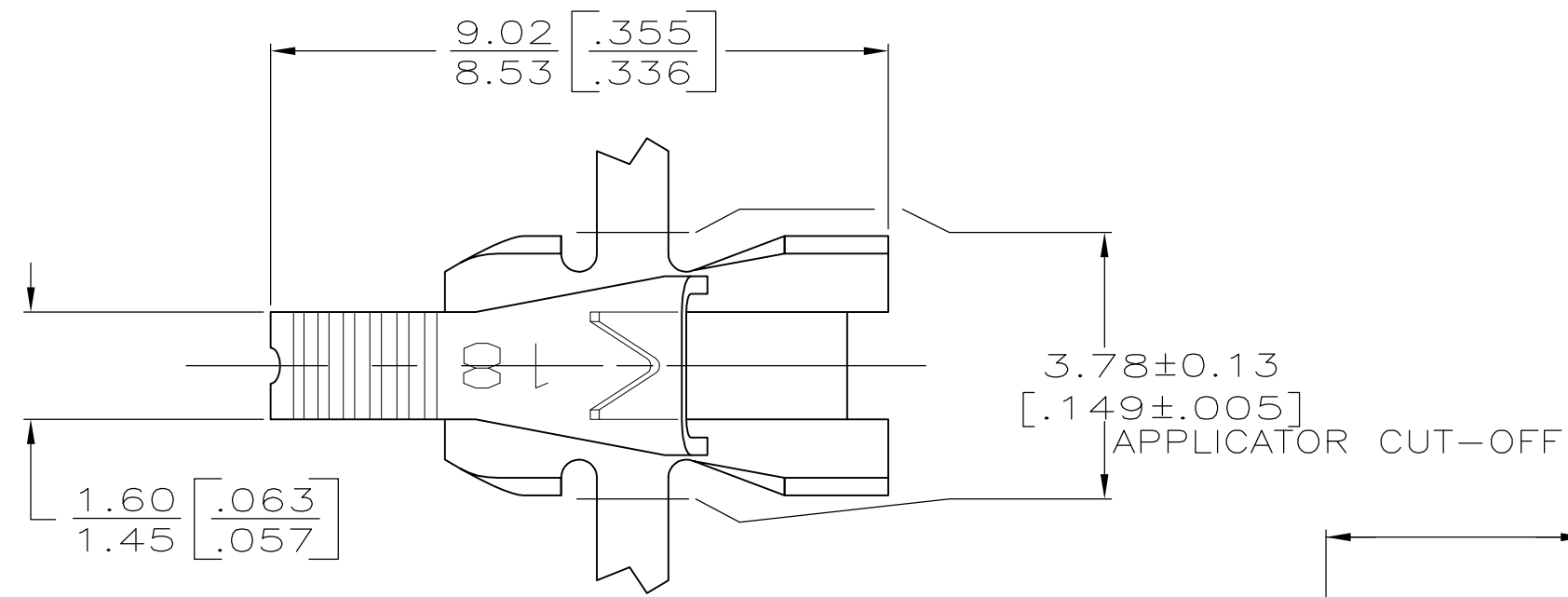
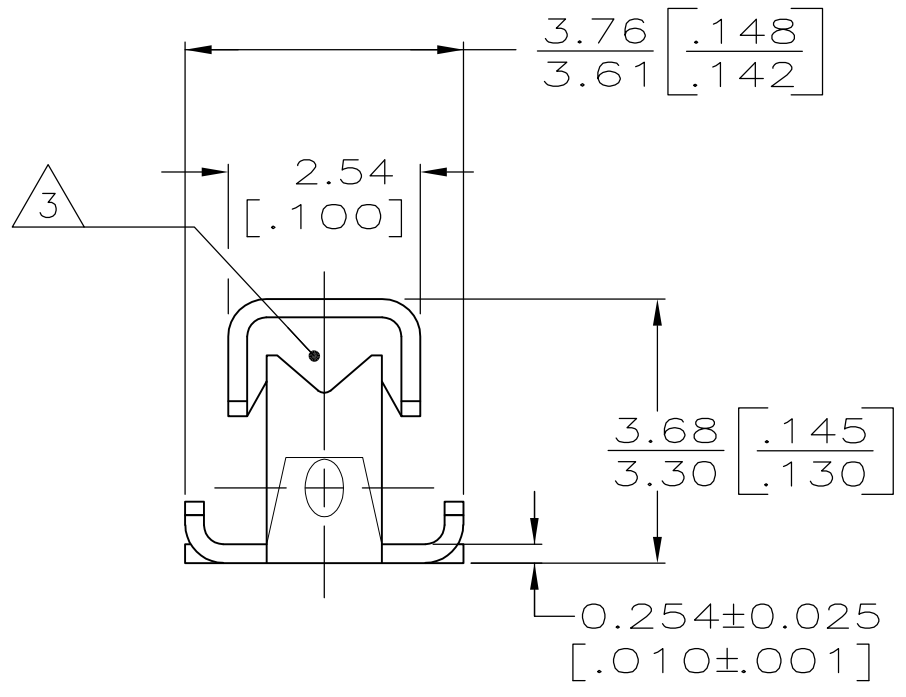
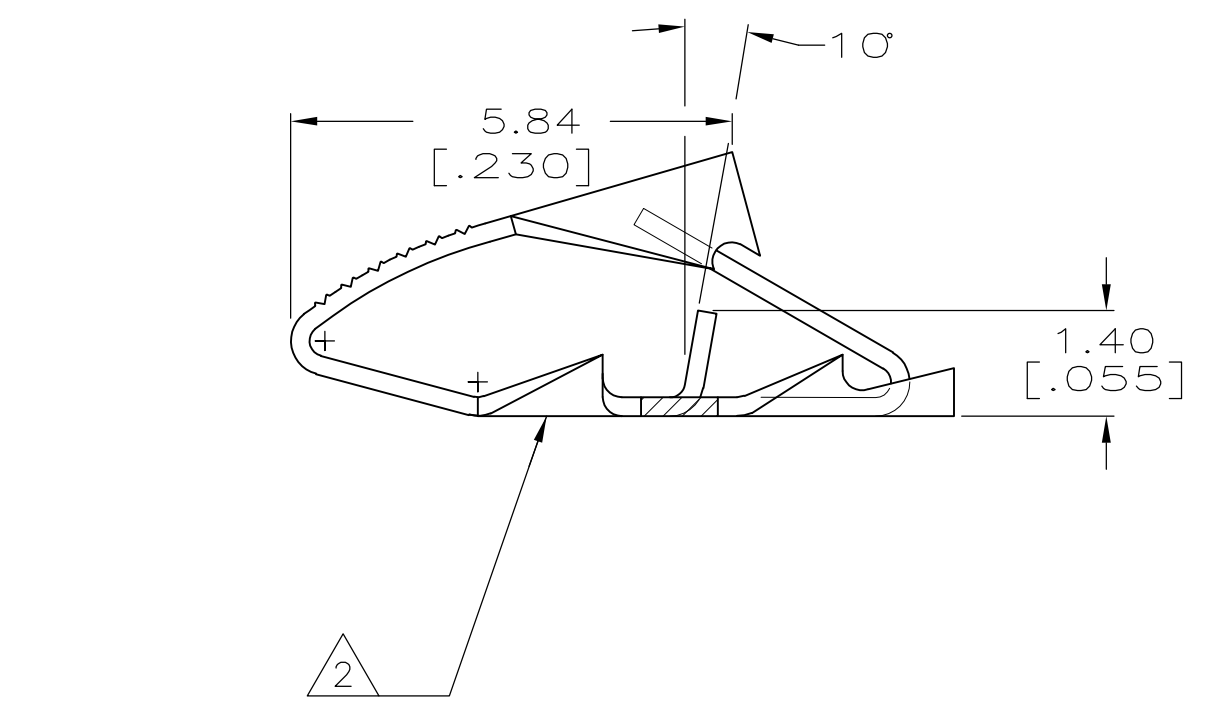


THIS DRAWING IS UNPUBLISHED. RELEASED FOR PUBLICATION  
 © COPYRIGHT BY TYCO ELECTRONICS CORPORATION. ALL RIGHTS RESERVED.

LOC	DIST	REVISIONS			
P	LTR	DESCRIPTION	DATE	DWN	APVD
AF	50	P	REVISED PER ECR-08-005579	11MAR08	HMR KR



- 1 CONTINUOUS STRIP ON REELS WITH TERMINALS LOCATED ON 6.10 [.240] CENTERS.
- 2 IDENTIFICATION NUMBER (18) FOR MAGNET WIRE RANGE.
- 3 SOLID OR FUSED STRANDED LEAD WIRE 0.3-0.9mm<sup>2</sup> [#22-#18] AWG.



0.10-0.25mm [#38-#30] AWG	62606-1
COPPER MAGNET WIRE RANGE	PART NO

THIS DRAWING IS A CONTROLLED DOCUMENT.		DWN 9/27/89 MICHAEL S. FEHER	Tyco Electronics Corporation Harrisburg, PA 17105-3608	
DIMENSIONS: INCHES		CHK 10/12/89 JEFF R. RUTH	NAME	
TOLERANCES UNLESS OTHERWISE SPECIFIED:		APVD 10/12/89 NELSON E. NEFF	TERMINAL, POKE-IN, MINI MAG-MATE™	
0 PLC ± -		PRODUCT SPEC	SIZE	
1 PLC ± -		APPLICATION SPEC	CAGE CODE	
2 PLC ± -		114-2047	DRAWING NO	
3 PLC ± 0.25 [.010]		WEIGHT	RESTRICTED TO	
4 PLC ± -		-	A3 00779 C-62606	
ANGLES ± -		CUSTOMER DRAWING	SCALE 10:1	
MATERIAL 2M BRASS		FINISH 0.002032 [.000080] MIN TIN	SHEET 1 OF 1	
			REV P	