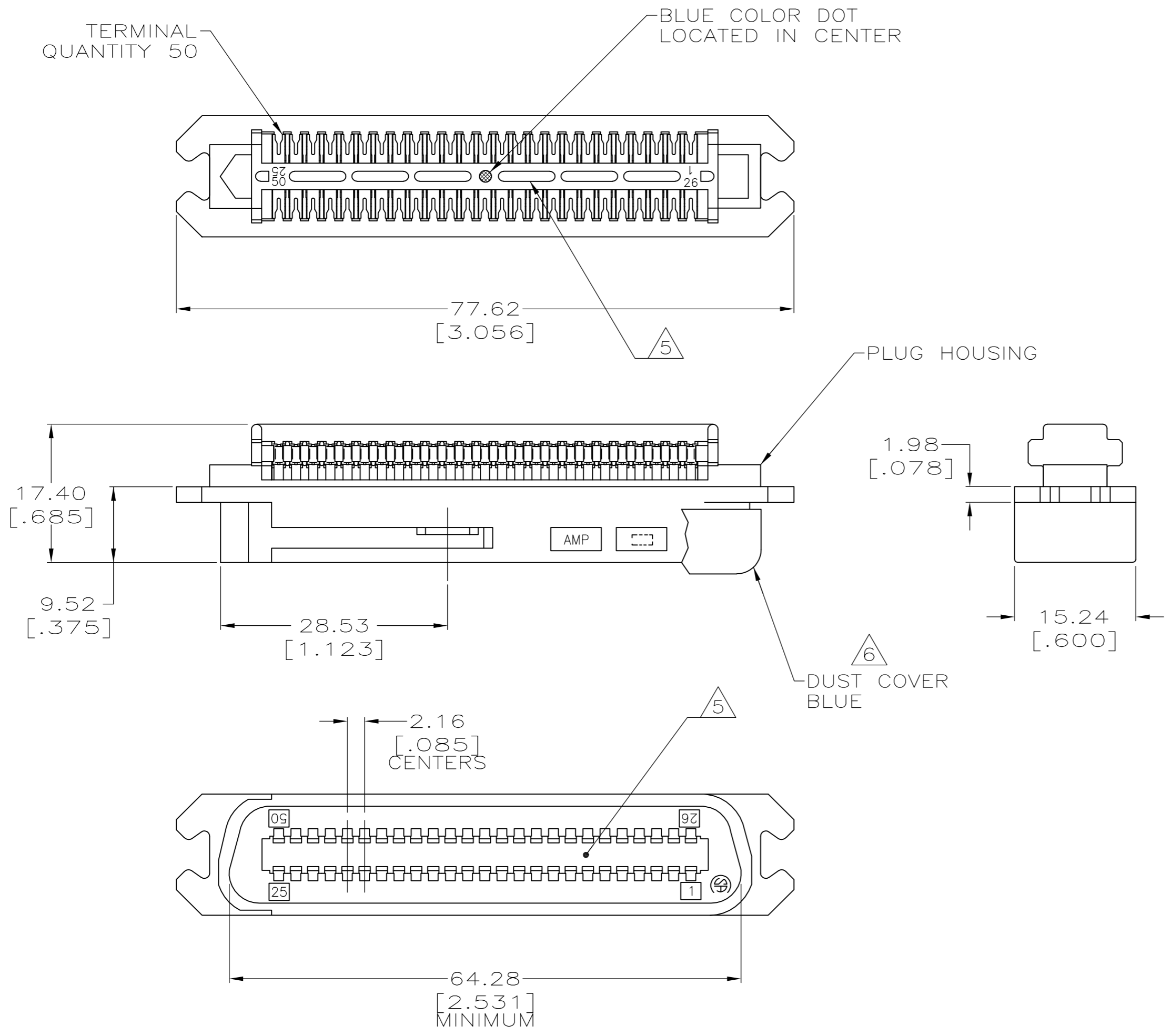


THIS DRAWING IS UNPUBLISHED. RELEASED FOR PUBLICATION  
 © COPYRIGHT - By - ALL RIGHTS RESERVED.

| LOC |     | DIST        |  | REVISIONS                 |         |        |  |
|-----|-----|-------------|--|---------------------------|---------|--------|--|
| P   | LTR | DESCRIPTION |  | DATE                      | DWN     | APVD   |  |
| GP  | 00  | S1          |  | REVISED PER ECO-11-005140 | 28MAR11 | RK HMR |  |

1. THE CONTACT SURFACES OF THE TERMINALS ARE COATED WITH LUBRICANT.
2. MATERIAL: HOUSING - POLYPHEYLENE OXIDE, BLACK. TERMINAL - HIGH STRENGTH COPPER ALLOY PLATED WITH 0.76µm [.000030] MIN GOLD OR GOLD FLASH OVER PALLADIUM NICKEL PLATE, 0.76µm [.000030] MIN TOTAL ON MATING SURFACE. 1.27µm [.000050] MIN NICKEL UNDERPLATE OVER ENTIRE TERMINAL.
3. ALL DIMENSIONS SHOWN ARE FOR REFERENCE ONLY UNLESS OTHERWISE SPECIFIED.
4. WIRE SIZE: 24 & 26 AWG SOLID OR 24 AWG 7 STRANDS OF COPPER CONDUCTORS. MAX INSULATION DIAMETER OF 1.14[.045] IS ACCEPTABLE FOR MOST APPLICATIONS.
5. CORING MAY OR MAY NOT APPEAR AND IS AT THE DISCRETION OF AMP.
6. DUST COVER, IF INCLUDED, IS SHIPPED NOT ASSEMBLED.



|            |             |
|------------|-------------|
| NO         | 552032-1    |
| DUST COVER | PART NUMBER |

|  |            |                         |  |                 |
|--|------------|-------------------------|--|-----------------|
| THIS DRAWING IS A CONTROLLED DOCUMENT. |            | DWN DL DRUMMOND 01JUN01 | TE Connectivity  |                 |
| DIMENSIONS: mm [INCHES]                |            | CHK DL DRUMMOND 01JUN01 | PLUG ASSEMBLY, 50 POSITION, B-SLOT, BAIL LOCK, CHAMP-LOK |                 |
| TOLERANCES UNLESS OTHERWISE SPECIFIED: |            | APVD EW BEILES 01JUN01  | SIZE A2  | CAGE CODE 00779 |
| 0 PLC ± -                              | 1 PLC ± -  | PRODUCT SPEC            | DRAWING NO C=552032                                      | RESTRICTED TO - |
| 2 PLC ± -                              | 3 PLC ± -  | APPLICATION SPEC        | SCALE 2:1  | SHEET 1 of 1    |
| 4 PLC ± -                              | ANGLES ± - | WEIGHT -                | REV S1   |                 |
| MATERIAL                               | FINISH     | CUSTOMER DRAWING        |  |                 |