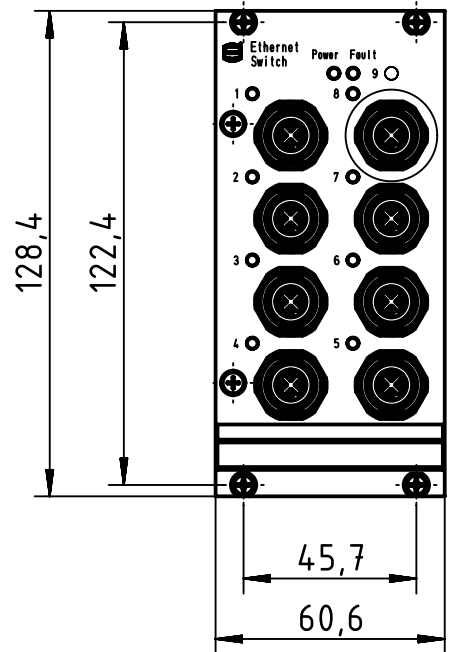
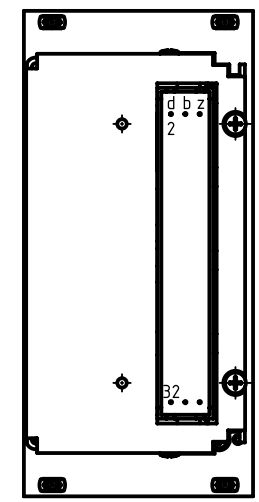
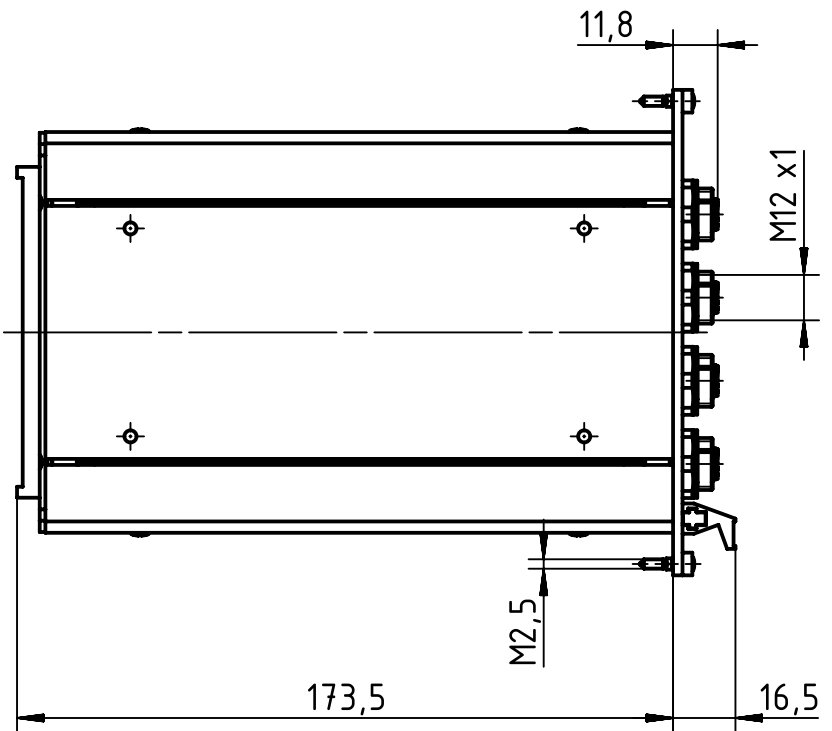


1 2 3 4 5 6

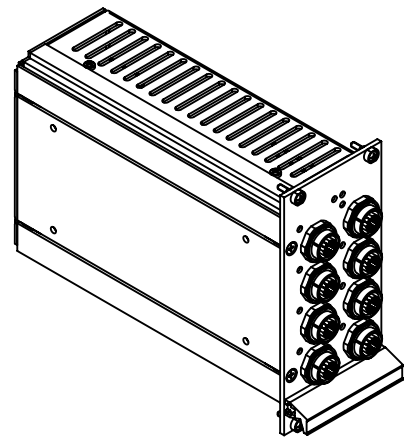
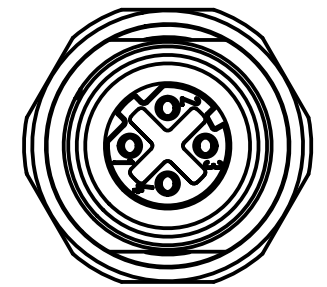
A  
B  
C  
D



A



A (2:1)



	All rights reserved Department EL PD - DE	Created by WULF		Inspected by LOETKEMANN		Standardisation SCHMIDTM		Date 2013-10-11		State Final Release	
		Title Ha-VIS mCon 9080-B1V								Doc-Key / ECM-Nr. 100183373/UGD/004/A 500000067169	
HARTING Electric GmbH & Co. KG D-32339 Espelkamp		Type TB		Number 20 76 208 7002				Rev. A		Page 1/1	
All Dimensions in mm Original Size DIN A4		Scale 1:2		Free size tol.				Ref. Sub. TB 20762087002 v. 12.05.10			