

CKT SIZE	*A* DIM	*B* DIM	*C* DIM	*D* DIM	*E* DIM	CABLE OD
18	1.320/33.55	.691/17.56	.950/24.13	1.835/46.62	.490/12.45	.310/7.87
28	1.570/39.90	.941/23.91	1.200/30.48	1.835/46.62	.490/12.45	.335/8.51
48	2.070/52.60	1.441/36.61	1.700/43.18	2.478/62.93	.569/14.45	.440/11.18

NOTES:

1. MATERIALS:

BACKSHELL - ZINC ALLOY DIE CAST, FINISH BLACK POLYURETHANE ENAMEL.

JACKSCREW - STEEL ALLOY, FINISH BLACK ZINC PLATING.

MOUNTING SCREW - STEEL ALLOY, FINISH BLACK ZINC PLATING.

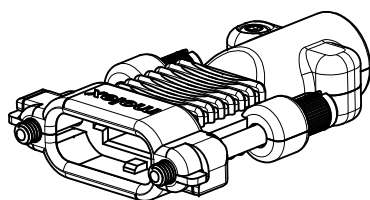
2. PLUG CABLE KIT COMPONENTS TO BE BULK PACKAGED PER PK-75115-990.

3. MOUNTING SCREW APPLICATION TORQUE TO BE MIN. 3 lbf-in AND NOT TO EXCEED 4 lbf-in.

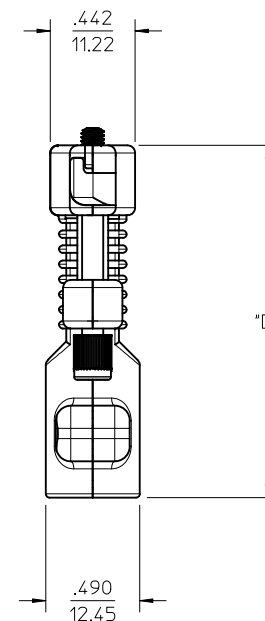
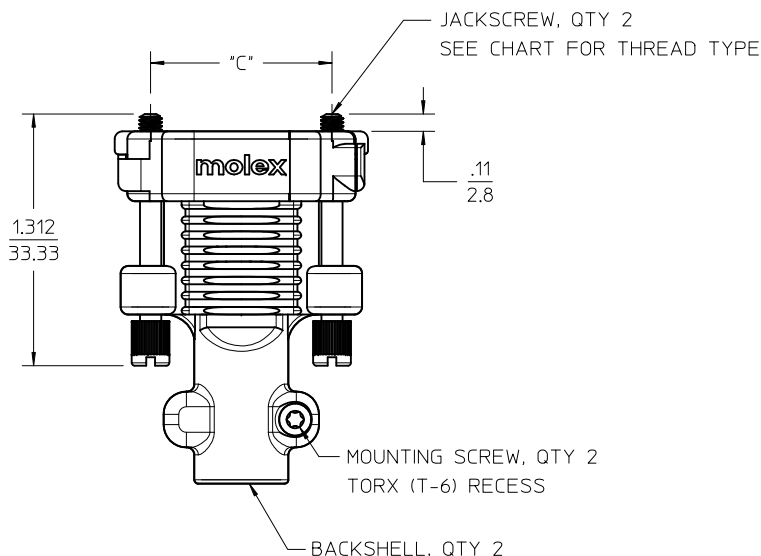
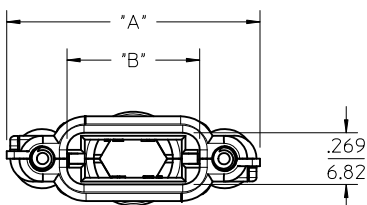
4. STRAIN RELIEF IS DESIGNED FOR THE CABLE DIAMETER SPECIFIED IN TABLE ON THIS PAGE.

WHEN USING SMALLER CABLE DIAMETER, USE HEAT SHRINK TUBING TO BUILD UP THE CABLE TO SPECIFIED DIAMETER.

5. PARTS CONFORM TO CLASS B OF COSMETIC SPECIFICATION PS-45499-002.



18 CIRCUIT PLUG CABLE KIT SHOWN



75115-0048	75115-1048	48
75115-0028	75115-1028	28
75115-0018	75115-1018	18
PLUG CABLE KIT (4-40 JACKSCREW)	PLUG CABLE KIT (M3 JACKSCREW)	CIRCUIT SIZE

CORRECT LENGTH DIM EC NO: UCP2011-3769 DRAWN BY: DRWN:MORGAN 2011/06/02 CHECKED BY: CHKD:MIBARRA 2011/06/02 APPR:SMILLER 2011/06/20	QUALITY SYMBOLS	GENERAL TOLERANCES (UNLESS SPECIFIED)	DIMENSION STYLE IN/MM	SCALE 2:1	DESIGN UNITS METRIC	THIRD ANGLE PROJECTION
	▽=0	4 PLACES ± --- ± ---	DRAWN BY DATE TMCCLELL 02/11/05	SALES DRAWING TDP PLUG CABLE KIT BLACK FINISH		
	▽=0	3 PLACES ± --- ± .010	CHECKED BY DATE TMCCLELL 02/11/07			
	▽=0	2 PLACES ± 0.25 ± .015	APPROVED BY DATE BANAKIS 02/11/07	MOLEX INCORPORATED SD-75115-001		
▽=0	1 PLACE ± 0.38 ± ---	MATERIAL NO. DOCUMENT NO.	SHEET NO. 1 OF 1			
REV	DESCRIPTION	DRAFT WHERE APPLICABLE MUST REMAIN WITHIN DIMENSIONS	SIZE C	THIS DRAWING CONTAINS INFORMATION THAT IS PROPRIETARY TO MOLEX INCORPORATED AND SHOULD NOT BE USED WITHOUT WRITTEN PERMISSION		