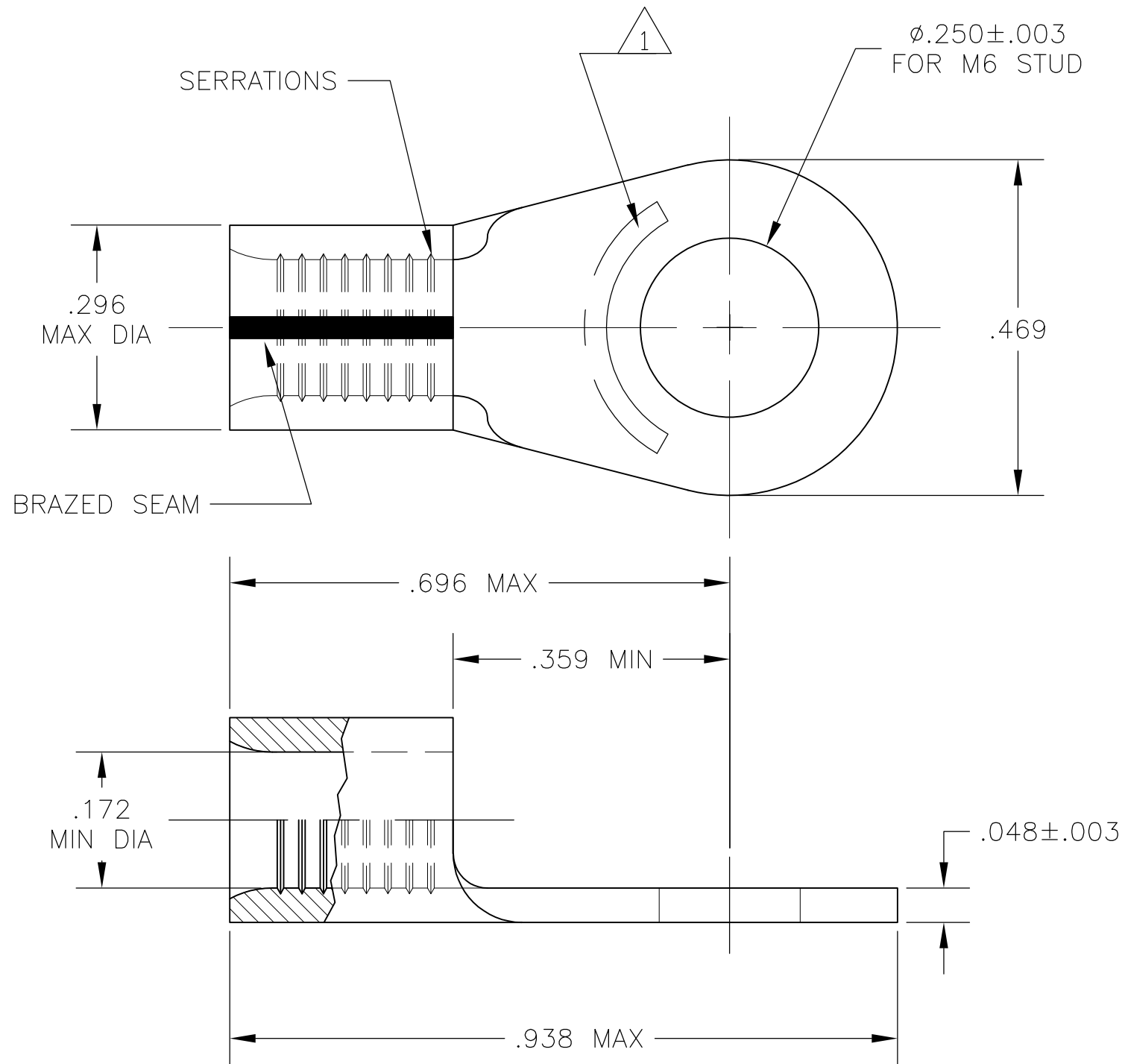


THIS DRAWING IS UNPUBLISHED. RELEASED FOR PUBLICATION
 © COPYRIGHT - By - ALL RIGHTS RESERVED.

LOC	DIST	REVISIONS					
		P	LTR	DESCRIPTION	DATE	DWN	APVD
G	14		A3	REVISED PER ECO-11-005027	11MAR11	RK	HMR



- 1 STAMP AMP 8, APPROX AS SHOWN
- 2 MAX RECOMMENDED OPERATING TEMP. IS 170°C MAX
- 3 VOLTAGE RATING IS NOT APPLICABLE
- 4 WIRE CROSS SECTIONAL AREA RANGE: 13,100-20,800 CMA / 6.64-10.5mm²
- 5 COPPER PER ASTM B-152, ANNEALED
- 6 .000100 MIN TIN PLATE PER ASTM B-545

△ 6	130550
FINISH	PART NO

THIS DRAWING IS A CONTROLLED DOCUMENT.		DWN jr_ruth	13FEB06	STE TE Connectivity	
DIMENSIONS: INCHES		CHK T MICHELUTTI	13FEB06		
		TOLERANCES UNLESS OTHERWISE SPECIFIED:		NAME T MICHELUTTI	
		0 PLC ± - 1 PLC ± - 2 PLC ± - 3 PLC ± .008 4 PLC ± - ANGLES ± 5°			
MATERIAL		FINISH		PRODUCT SPEC	
- △ 5		SEE TABLE		APPLICATION SPEC	
				WEIGHT -	
CUSTOMER DRAWING				SIZE	RESTRICTED TO
				A3	-
				CAGE CODE	DRAWING NO
				A3	C-130550
				SCALE	SHEET
				5:1	1 OF 1
				REV	A3