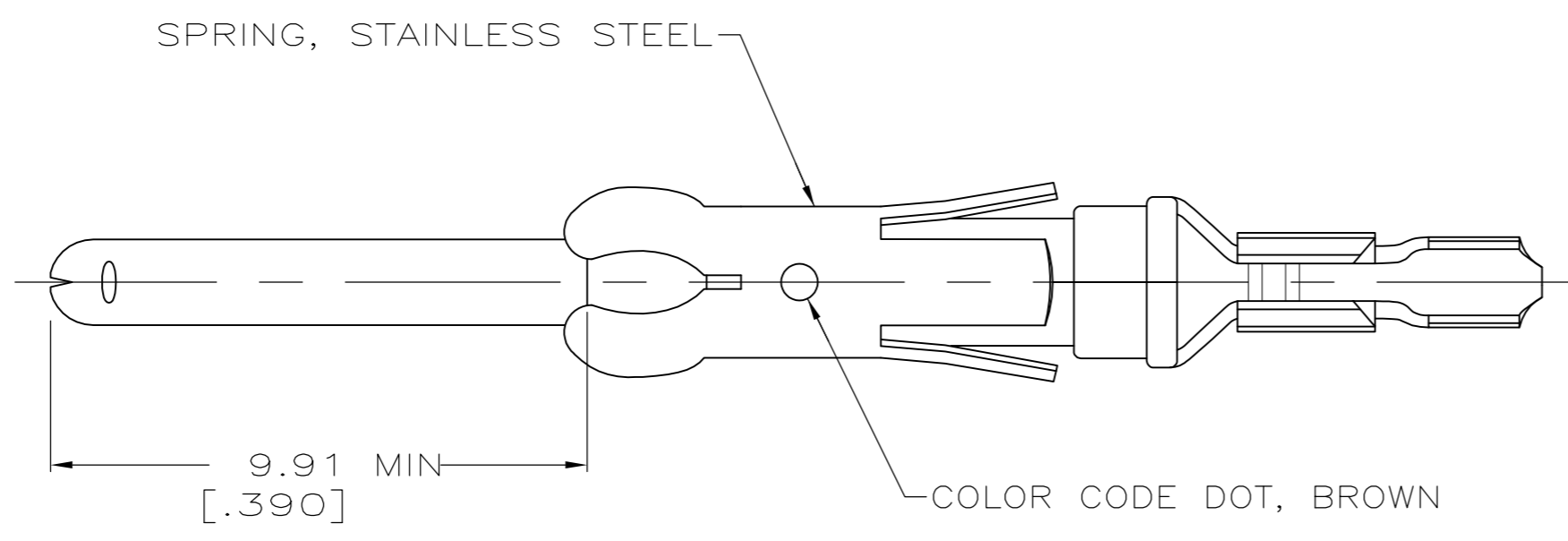
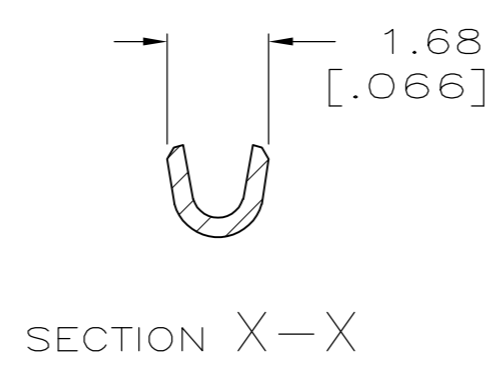
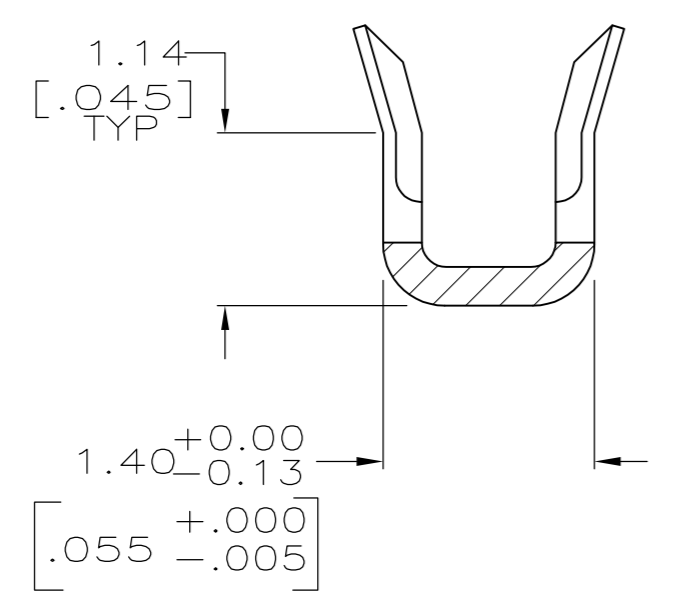
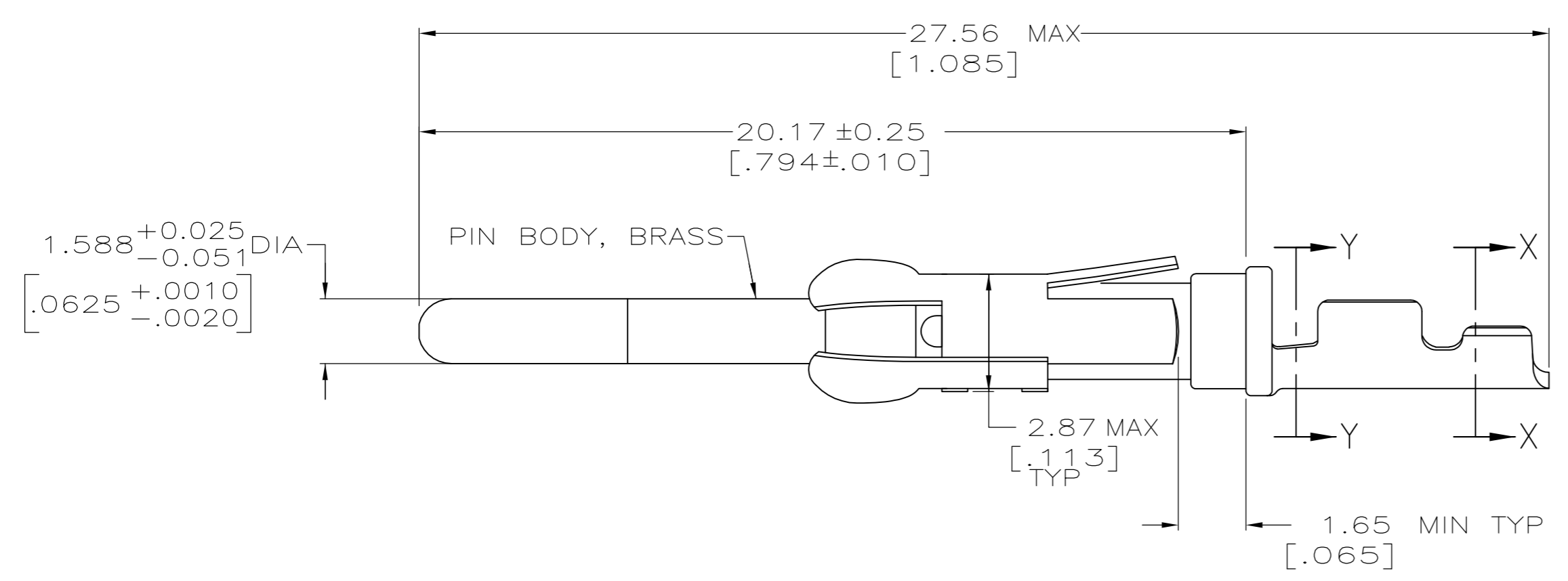


THIS DRAWING IS UNPUBLISHED. RELEASED FOR PUBLICATION
 © COPYRIGHT - By - ALL RIGHTS RESERVED.

LOC		DIST		REVISIONS			
P	LTR	DESCRIPTION		DATE	DWN	APVD	
FT	47	R		REVISED PER ECO-12-012316	05JUL12	KH MZ	



- 1 0.76µm[.000030] MIN PRECIOUS METAL PLATE ON MATING END FOR A LENGTH OF 5.08 [.200] MIN WITH A UNIFORM GRADIENT TO 0.25µm [.000010] ON REMAINDER, OVER 1.27µm[.000050] MIN NICKEL PLATE. GOLD FLASH ALL OVER. CONFORMS TO THE REQUIREMENTS OF TYCO ELECTRONICS PRODUCT SPEC 108-10042, BASED ON EIA/ECA-364-1000.01A (CONTROLLED ENVIRONMENT APPLICATIONS).
- 2 0.76µm[.000030] MIN PRECIOUS METAL PLATE ON MATING END FOR A LENGTH OF 5.08 [.200] MIN WITH 1.27µm[.000050]MIN MATTE TIN PLATE IN WIRE CRIMP AREA, BOTH OVER 1.27µm [.000050] MIN NICKEL PLATE. CONFORMS TO THE REQUIREMENTS OF TYCO ELECTRONICS PRODUCT SPEC 108-10042, BASED ON EIA/ECA-364-1000.01A (CONTROLLED ENVIRONMENT APPLICATIONS).
- 3 WIRE RANGE 26-30 AWG.
- 4 INSULATION RANGE 0.36[.014]-0.76[.030] DIA.



SECTION Y-Y
SCALE 20:1

2	66393-4	66406-4
1	66393-1	66406-1
FINISH	STRIP_P/N REF	PART NO.

THIS DRAWING IS A CONTROLLED DOCUMENT.		DWN	H MOLL	9-27-90	TE Connectivity PIN ASSEMBLY, LOOSE PIECE, TYPE III+				
DIMENSIONS: mm [INCHES]		CHK	J.MCCLINTON	12-15-90				NAME	
TOLERANCES UNLESS OTHERWISE SPECIFIED:		APVD	A. BOULLIANNE	12-10-90				PRODUCT SPEC	
0 PLC ± -		APPLICATION SPEC		-					
1 PLC ± -		WEIGHT		-		SIZE	A2		
2 PLC ± 0.13[.005]		MATERIAL		-		CAGE CODE	00779		
3 PLC ± -		FINISH		-		DRAWING NO	C=66406		
4 PLC ± -		SEE CALL OUT		-		RESTRICTED TO			
ANGLES ± -		PIN BODY:SEE TABLE		-		SCALE	8:1		
CUSTOMER DRAWING						SHEET	1 of 1		
						REV	R		