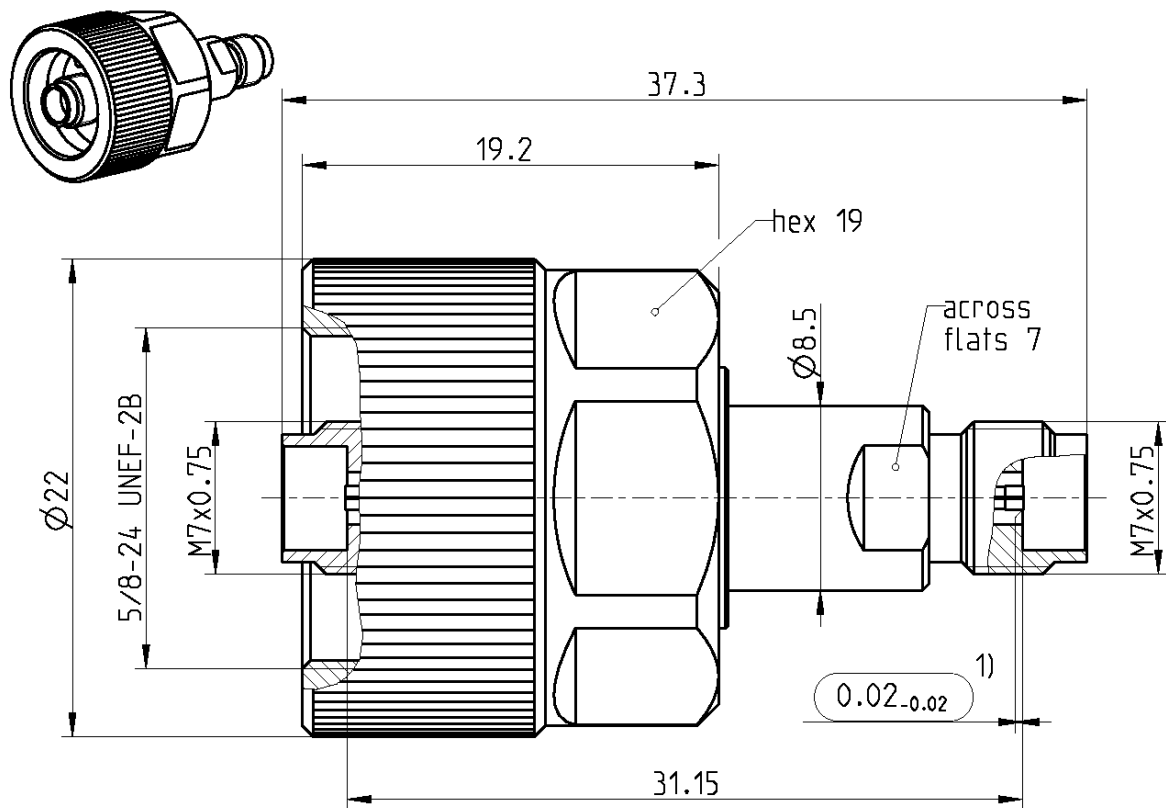


RPC-2.40

Adaptor
jack - jack

09KR121-K0AS3



1) restricted connection dimension

All dimensions are in mm; tolerances according to ISO 2768 m-H

Interface

According to IEC 61169-40
Mechanically compatible with RPC-1.85

Documents

N/A

Material and plating

Connector parts

Center contact
Outer contact
Dielectric
Coupling nut

Material

CuBe
Stainless steel
PEEK
Stainless steel

Plating

Gold, min. 1.27 µm, over chemical nickel
Passivated
Passivated

Dieses Dokument ist urheberrechtlich geschützt • This document is protected by copyright • Rosenberger Hochfrequenztechnik GmbH & Co. KG

RF_35/09.14/6.2

RPC-2.40

Adaptor
jack - jack

09KR121-K0AS3

Electrical data

Impedance 50 Ω
 Frequency DC to 50 GHz
 Return loss ≥ 26 dB, DC to 26.5 GHz
 ≥ 23 dB, 26.5 GHz to 50 GHz
 Insertion loss ≤ 0.05 x √f(GHz) dB
 Insulation resistance ≥ 5 GΩ
 Test voltage (at sea level) 500 V rms
 Working voltage (at sea level) 150 V rms
 RF-leakage ≥ 100 dB up to 1 GHz

Mechanical data

Mating cycles ≥ 500
 Center contact captivation ≥ 20 N
 Coupling test torque 1.65 Nm
 Recommended torque 0.80 Nm to 1.10 Nm
 Recommended torque ruggedized nut 1.36 Nm

Environmental data

Temperature range -40°C to +85°C
 Thermal shock IEC 61169-1, Subclause 9.4.4
 Corrosion IEC 61169-1, Subclause 9.4.6
 Vibration IEC 61169-1, Subclause 9.3.3
 Shock IEC 61169-1, Subclause 9.3.14
 Moisture resistance IEC 61169-1, Subclause 9.4.3
 RoHS compliant

Tooling

N/A

Suitable cables

N/A

Weight

48.7 g/pce

While the information has been carefully compiled to the best of our knowledge, nothing is intended as representation or warranty on our part and no statement herein shall be construed as recommendation to infringe existing patents. In the effort to improve our products, we reserve the right to make changes judged to be necessary.

Draft	Date	Approved	Date	Rev.	Engineering change number	Name	Date
M. Singer	01.02.12	F. Reiner	10.07.18	b01	18-1026	M. Ruf	06.07.18

Rosenberger Hochfrequenztechnik GmbH & Co. KG
 P.O.Box 1260 D-84526 Tittmoning Germany
www.rosenberger.de

Tel. : +49 8684 18-0
 Email : info@rosenberger.de

Page
 2 / 2