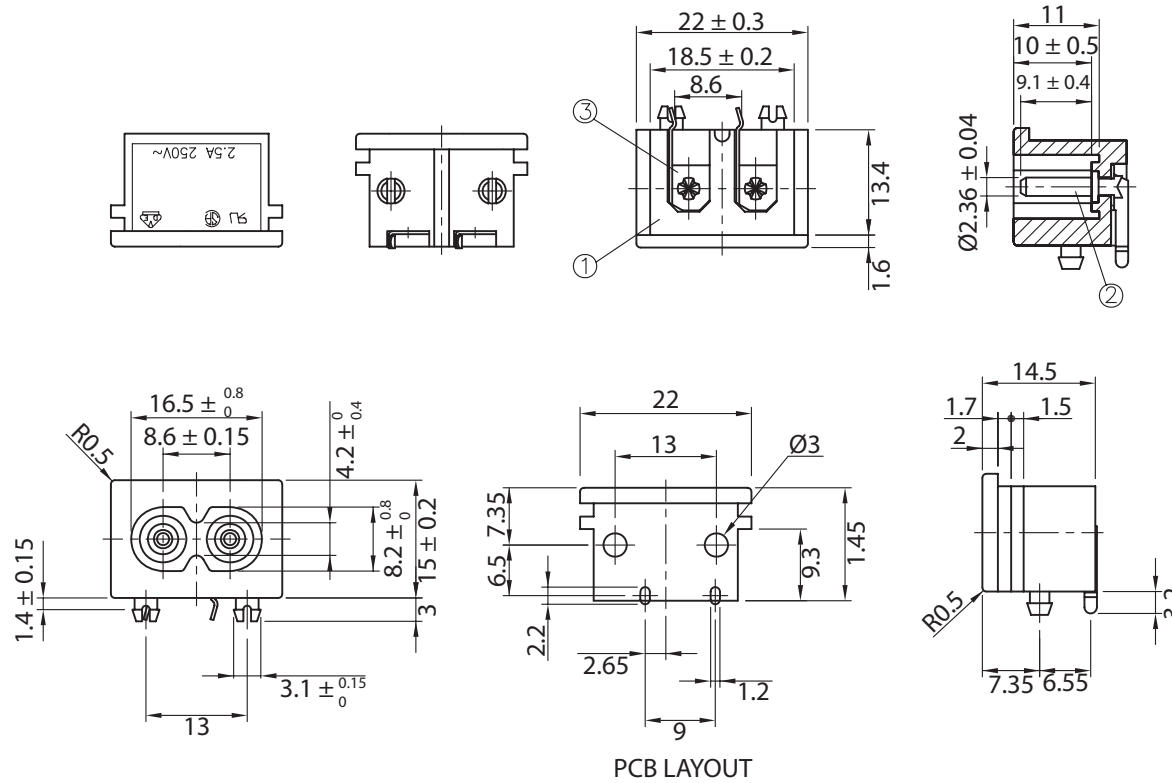


THESE DRAWINGS ARE THE PROPERTY OF QUALTEK ELECTRONICS AND NOT TO BE REPRODUCED FOR OR COMMUNICATED TO A THIRD PARTY WITHOUT THE EXPRESS WRITTEN PERMISSION OF AN OFFICER OF QUALTEK ELECTRONICS.

REVISION			
REV.	DESCRIPTION	DATE	APPROVED
B	RoHS Compliancy	06-01-06	DP



CONTROLLED

NOTES:

RATING: 2.5A 250V AC
 APPROVALS: UL,CSA,VDE
 RoHS COMPLIANT

3	Soldering PIN Brass Strip t=0.4mm Tin-Plated	2				
2	Solid Contact PIN Brass Strip d=Ø2.36 mm Ni-Plated	2				
1	Body Insulator PC Black Color	1				
Dim range (mm)		Tolerance +/- (mm)		Qualtek Electronics Corp.		
				PPC DIVISION		
Part Number:		770W-X2/10		RoHS Compliant		
Description:		AC RECEPTACLE				
0-1	0.15	UNIT: mm		REV. B		
1-6	0.20					
6-18	0.30	Drawn / Date		Checked / Date		
18-50	0.50					
50-120	0.70	B.Zhang 08-22-02		08-22-02		
120-250	0.90					
250-500	1.20	Approved / Date		Approved / Date		