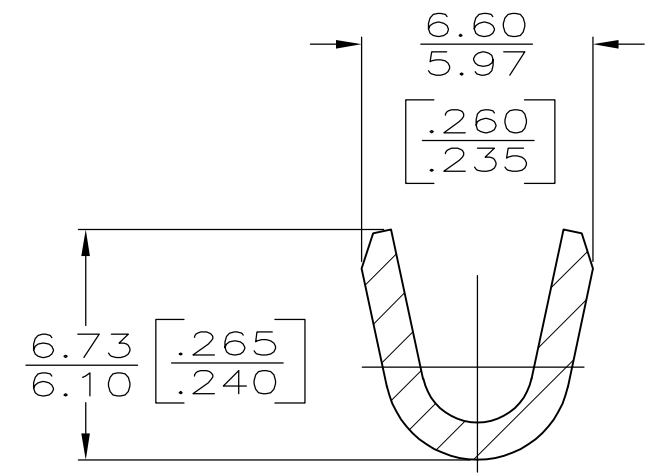
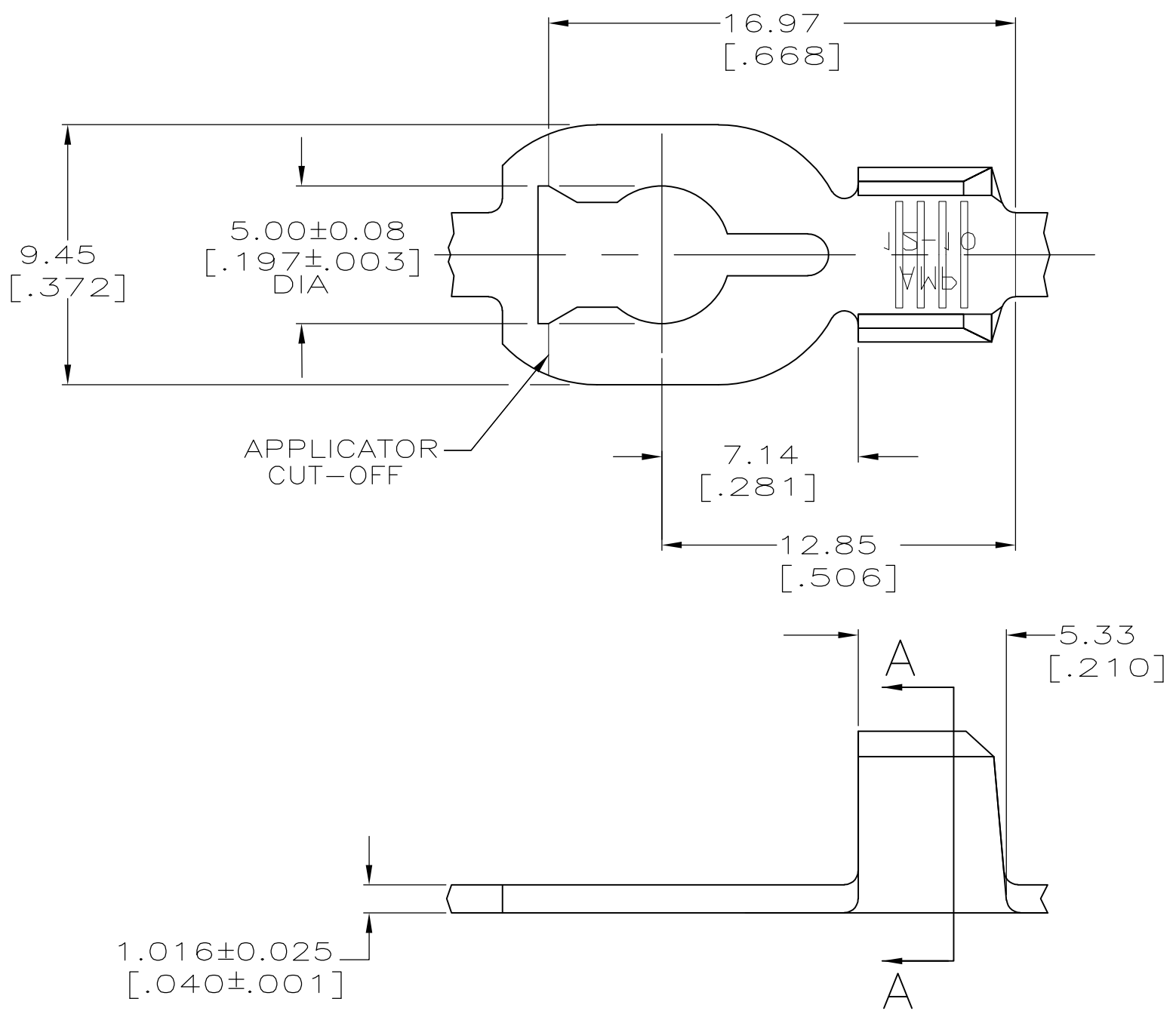


THIS DRAWING IS UNPUBLISHED. RELEASED FOR PUBLICATION  
 © COPYRIGHT BY TYCO ELECTRONICS CORPORATION. ALL INTERNATIONAL RIGHTS RESERVED.

LOC	DIST	REVISIONS					
AF	50	P	LTR	DESCRIPTION	DATE	DWN	APVD
		E		REVISED PER ECR-08-007819	19NOV08	HMR	DD

- 1 CONTINUOUS STRIP ON REELS.
- 2 WIRE SIZE IS 2.0-5.0mm<sup>2</sup> [14-10] AWG



SECTION A-A

	TIN PLATING	63610-2
OBSOLETE		63610-1
	FINISH	PART NO.

6.98 [.275]	F	5.33 [.210]	3.22 [.135]	5.0mm <sup>2</sup> [10]
			2.92 [.123]	3.0mm <sup>2</sup> [12]
			2.74 [.115]	2.0mm <sup>2</sup> [14]
STRIP LENGTH ±0.38 [±.015]	TYPE	WIDTH	±0.051 [±.002] HEIGHT	WIRE
WIRE BARREL CRIMP				

THIS DRAWING IS A CONTROLLED DOCUMENT.

DIMENSIONS: mm [INCHES]

TOLERANCES UNLESS OTHERWISE SPECIFIED:

0 PLC	± -
1 PLC	± -
2 PLC	± 0.25 [.010]
3 PLC	± -
4 PLC	± -
ANGLES	± -

MATERIAL: #2 HARD BRASS

FINISH: SEE TABLE

DWN P FORTNEY 5/24/91

CHK MS FEHER 5/28/91

APVD G YETTER 5/28/91

PRODUCT SPEC

APPLICATION SPEC

WEIGHT -

CUSTOMER DRAWING

**Tyco Electronics** Tyco Electronics Corporation  
Harrisburg, PA 17105-3608

NAME: TERMINAL, SPRING SPADE

SIZE	CAGE CODE	DRAWING NO	RESTRICTED TO
A3	00779	G-63610	-

SCALE: 5:1 SHEET: 1 OF 1 REV: E