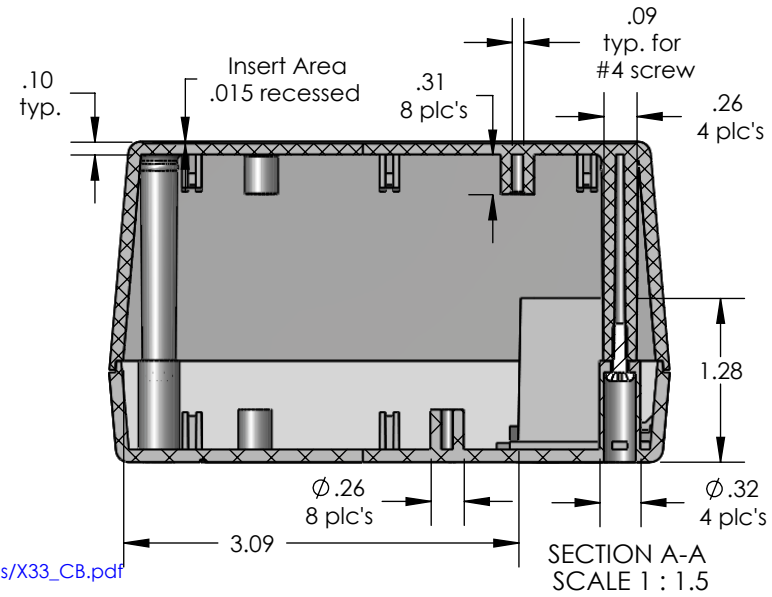
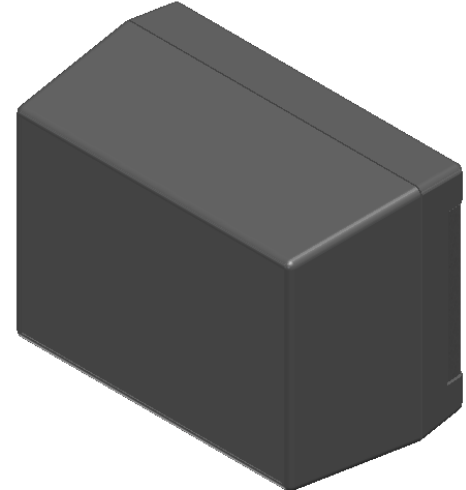
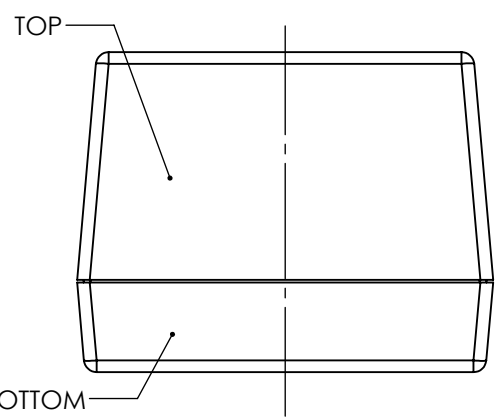
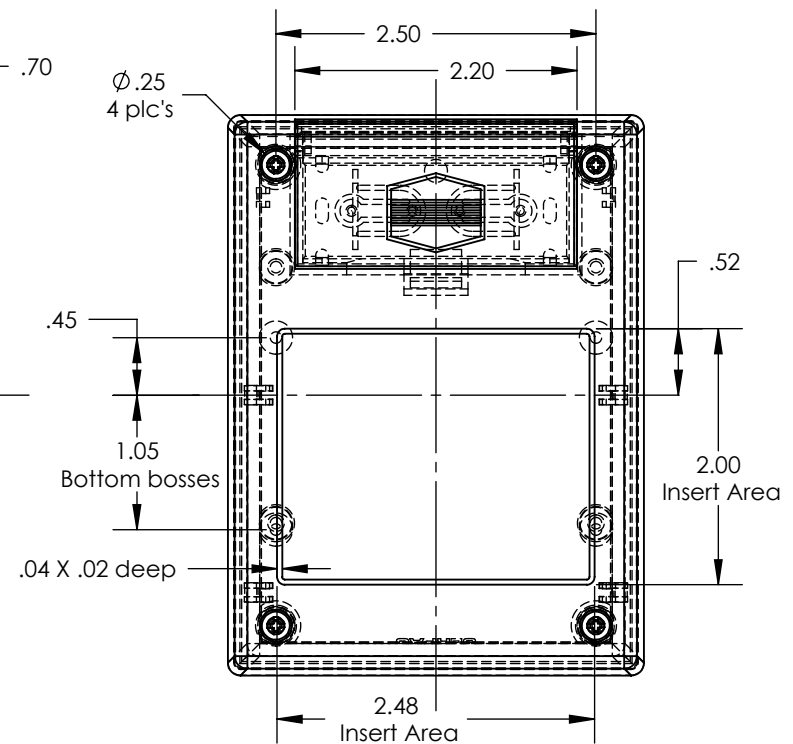
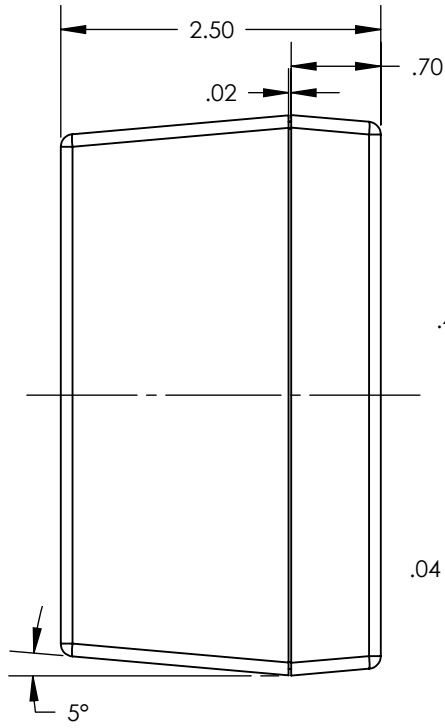
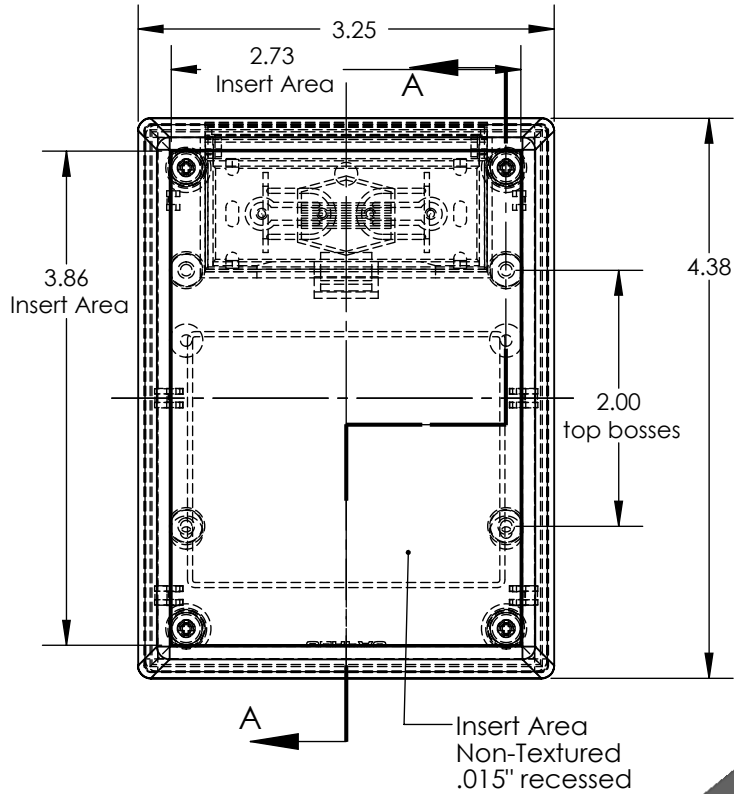


SERPAC 233i (user print)

Electronic Enclosures



PART NO.	DESCRIPTION (Included)	ACCESSORIES (Optional)	
PART NO.	DESCRIPTION	PART NO.	DESCRIPTION
3-3i	TOP	339	Prototype grid board (bottom)
23	BOTTOM	439	Prototype clad board (bottom)
1025	Battery Cover	50	Non-skid feet
6005	#4X3/8" selftapping (4)		

Notes: (Enclosure weight 0.26 lb / 119 gm)
 1) Enclosure meets or exceeds IP40 and NEMA 1
 2) Circuit Board drawings can be download at:
 Top: http://www.serpac.com/Accessories/CircuitBoard/drawings/X33_CB.pdf
 Bottom: <http://www.serpac.com/Accessories/CircuitBoard/drawings/339-439-cbg.pdf>
 3) All components are RoHS Compliant.

ALL DIMENSIONS ARE ± .010" 4/12/10 (2 of 2)
 619 Commercial Ave. Covina, CA 91723
 Ph. (626) 331-0517 Fx. (626) 331-8584 www.serpac.com