

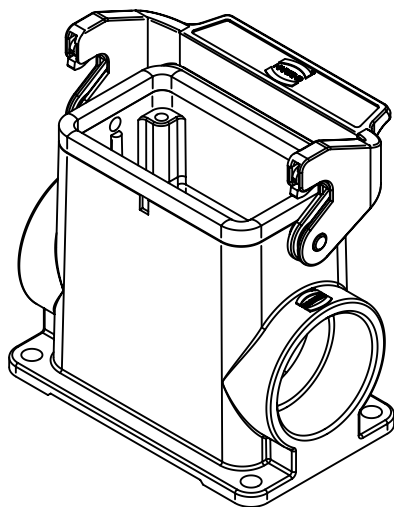
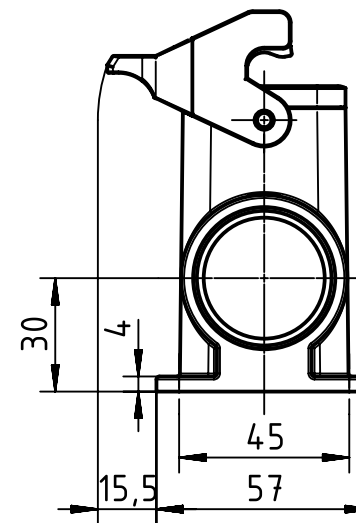
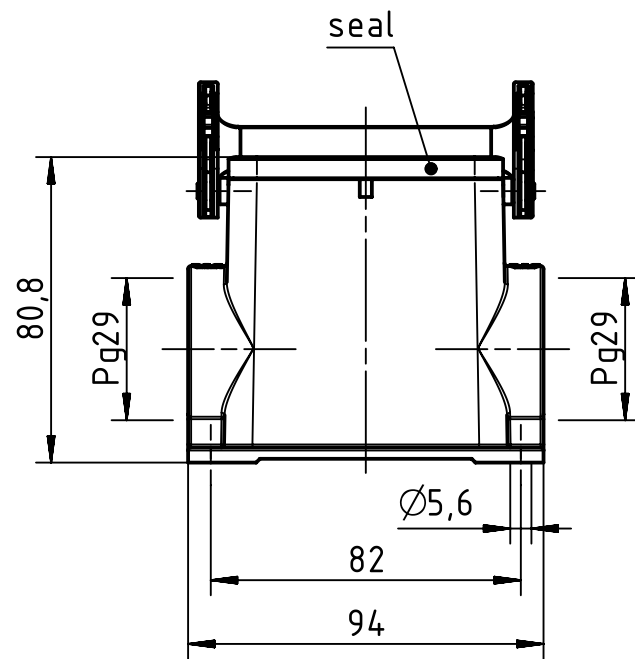
1 2 3 4 5 6

A

B

C

D



	All Dimensions in mm Original Size DIN A4		Scale 1:2	Free size tol.		Ref. Sub. TB 09 30 010 0293 v. 11.04.11		
		All rights reserved	Created by SPRENB	Inspected by BERGHORN	Standardisation TIEMANNA	Date 2014-01-30	State Final Release	
Department EL PD - DE		Title Han 10B-asg2-LB-29				Doc-Key / ECM-Nr. 100208939/UGD/004/A 500000071121		
HARTING Electric GmbH & Co. KG D-32339 Espelkamp		Type TB	Number 09 30 010 0293				Rev. A	Page 1/1