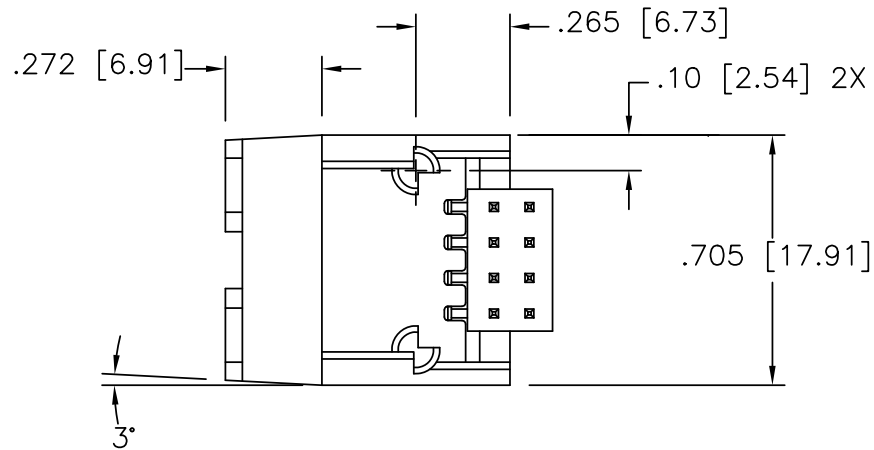
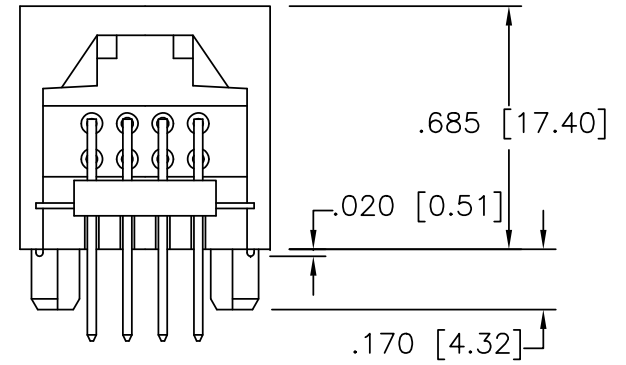
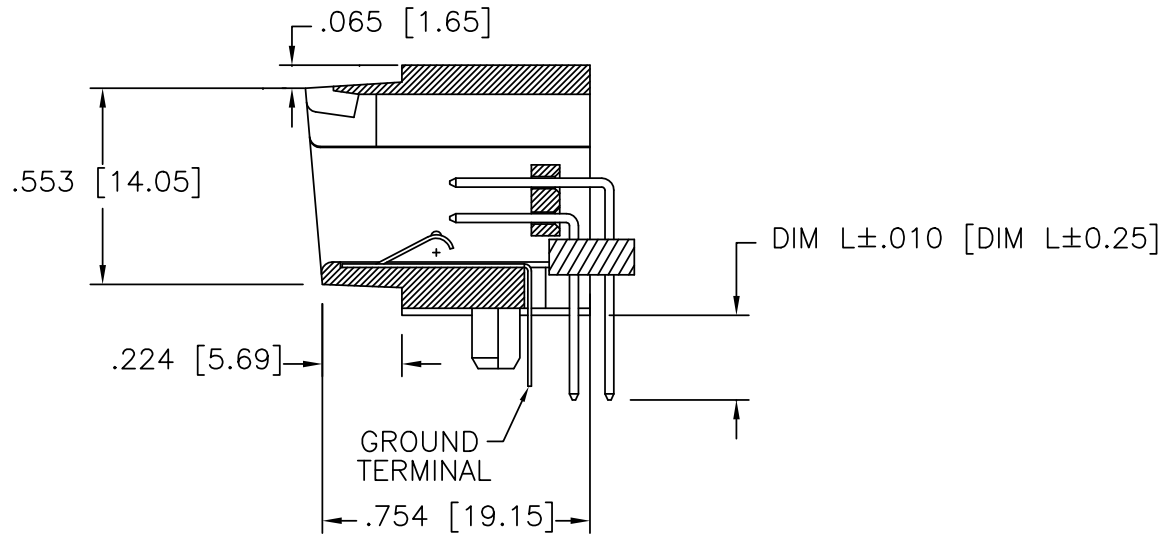


PRODUCT NUMBER
SEE TABLE

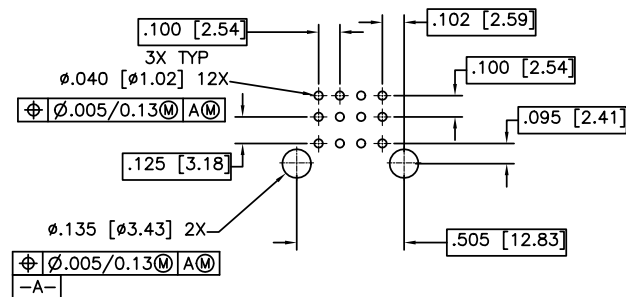


mat'l. code		surface ISO 1302 ✓		tolerance ISO 406 ISO 1101		projection INCH/MM		product family LATCH-N-LOK	
title		tolerances unless otherwise specified		line		scale 2:1		sheet 1 of 2 size	
K	ELX-N-008441	ZK	11/28/11	angles	.XX±.01/0.X±0.3	INCH/MM		2X4 LNL STANDARD RT. ANGLE HEADER ASS'Y	
E	V10425	TFG	2/7/01	0°±2°	.XXX±.005/0.XXX±0.13	scale 2:1		dwg no 68293	
F	M05-0033	ERE	2/25/05	chr	.XXXX±.0020/0.XXX±0.05	FCI		sheet 1 of 2 size A3	
G	M06-0285	AGS	7/28/06	engr				type Product Customer Drawing	
H	M06-0365	AGS	9/20/06	chr					
J	M09-0048	MHT	3/12/09	app					
sheet revision		K K							
index sheet		1 2							

PRODUCT NUMBER	COLOR (4)	DIM L	LEAD FREE OPTION	
68293-X01	-70343 LT GRAY			OBS
68293-X02	80166 OFF WHITE			
68293-X03	-70634 DK GRAY			OBS
68293-X04	701 BLACK	SEE BELOW	NOTE 6 & 7	
68293-X05	-70511 SLATE GRAY			OBS
68293-X07	70455 SILVER GRAY			
68293-X08	-80189 PEARL WHITE			OBS
68293-X09	70419 PEBBLE GRAY			

PIN LENGTH	
DASH No.	DIM L
68293-0XX	.200/5.08
68293-1XX	.130/3.30
68293-2XX	.270/6.86

DASH No.	PLATING DESCRIPTION
68293-X0X	30u" MIN (NOTE 3) OVER 50u" MIN Ni
68293-X3X	30u" MIN (NOTE 3) OVER 50u" MIN Ni
68293-X5X	50u" MIN (NOTE 3) OVER 50u" MIN Ni



RECOMMENDED PCB LAYOUT

NOTES:

- HEADER SHROUD
MAT'L: HIGH TEMPERATURE THERMOPLASTIC
UL-94V-0 RATED.
- GROUND CONTACT
MAT'L: COPPER ALLOY
PLATING: 100-160u"/2.54-4.06u TIN.
- SIGNAL CONTACT
MAT'L: COPPER ALLOY
PLATING: PERFORMANCE PLATING WILL BE EITHER GOLD OR GXT ON CONTACT AREA OR TAIL, OPTIONALLY (78-295u") TIN ON TAIL.
- NUMBERS SHOWN ARE FOR G.E. LEXAN AND ARE FOR REFERENCE ONLY
- THIS ASSEMBLY U.L. APPROVED PER FILE E66906 VOL. 1, SEC 84 AND CSA APPROVED PER MASTER FILE LR46923.
- ADD LF SUFFIX AT THE END OF PART NUMBER FOR LEAD FREE OPTION.
- THE HOUSING WILL WITHSTAND EXPOSURE TO 260°C PEAK TEMPERATURE FOR 15 SECONDS IN A WAVE SOLDER APPLICATION WITH A 1.5mm MINIMUM THICK CIRCUIT BOARD. SEE APPLICATION NOTES/PROCEDURES IF THEY ARE AVAILABLE.
- THIS PRODUCT MEETS EUROPEAN UNION DIRECTIVES AND OTHER COUNTRY REGULATION AS DESCRIBED IN GS-22-008.
- PRODUCT SPEC: GS-12-003

mat'l. code		surface ISO 1302 ✓	tolerance ISO 406 ISO 1101	projection ASME Y14.5	product family LATCH-N-LOK
ltr	ecn	nodr	date	title 2X4 LNL STANDARD RT. ANGLE HEADER ASS'Y	
tolerances unless otherwise specified				INCH/MM	scale 1:1
angles		line		dwg no 68293	
0°±2'		XXXX.01/0.X±0.3 XXXX.005/0.XX±0.13 XXXX.0020/0.XXX±0.05		sheet 2 of 2 size A3	
dr	D.A. SMITH		1/24/90	type Product Customer Drawing	
engr	D. HORCHLER		11/5/90		
chr	D. HORCHLER		11/5/90		
appd	D. HORCHLER		11/5/90		
sheet index	revision sheet				