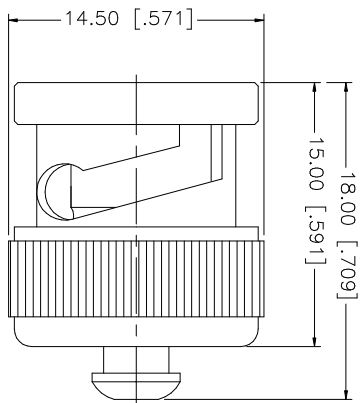


REV.	DATE	DESCRIPTION
NC	01/30/04	INITIAL RELEASE



QTY	FINISH	MATERIAL	DESCRIPTION
1	NICKEL	BRASS	RIVET
1	RED	SILICONE	GASKET
1	NICKEL	BRASS	SHELL/BODY
			DESCRIPTION

UNLESS OTHERWISE SPECIFIED DIMENSIONS ARE IN MILLIMETERS. DIMENSIONS IN [] ARE IN INCHES AND FOR CUSTOMER REFERENCE ONLY.	
UNLESS OTHERWISE SPECIFIED TOLERANCES FOR MILLIMETERS ARE:	
0.5 - 8mm	± 0.20mm
8 - 30mm	± 0.40mm
30 - 120mm	± 0.50mm
UNLESS OTHERWISE SPECIFIED TOLERANCES FOR INCHES ARE:	
.020 - .315	± 0.007"
.315 - 1.180	± 0.015"
1.180 - 4.724	± 0.020"
DO NOT SCALE DRAWING	

APPROVALS	DATE
DRAWN G.R.S.	01/30/04
CHECKED	
ISSUED	
SHEET 1 OF 1	

CAD FILE	C:/202/202100-10.DWG
DWG. NO.	202100-10.DWG
REV.	NC
SIZE	A
SCALE	NA

Amphenol Connex	
PART DESCRIPTION	
BNC MALE CAP	
PART NO.	202100-10