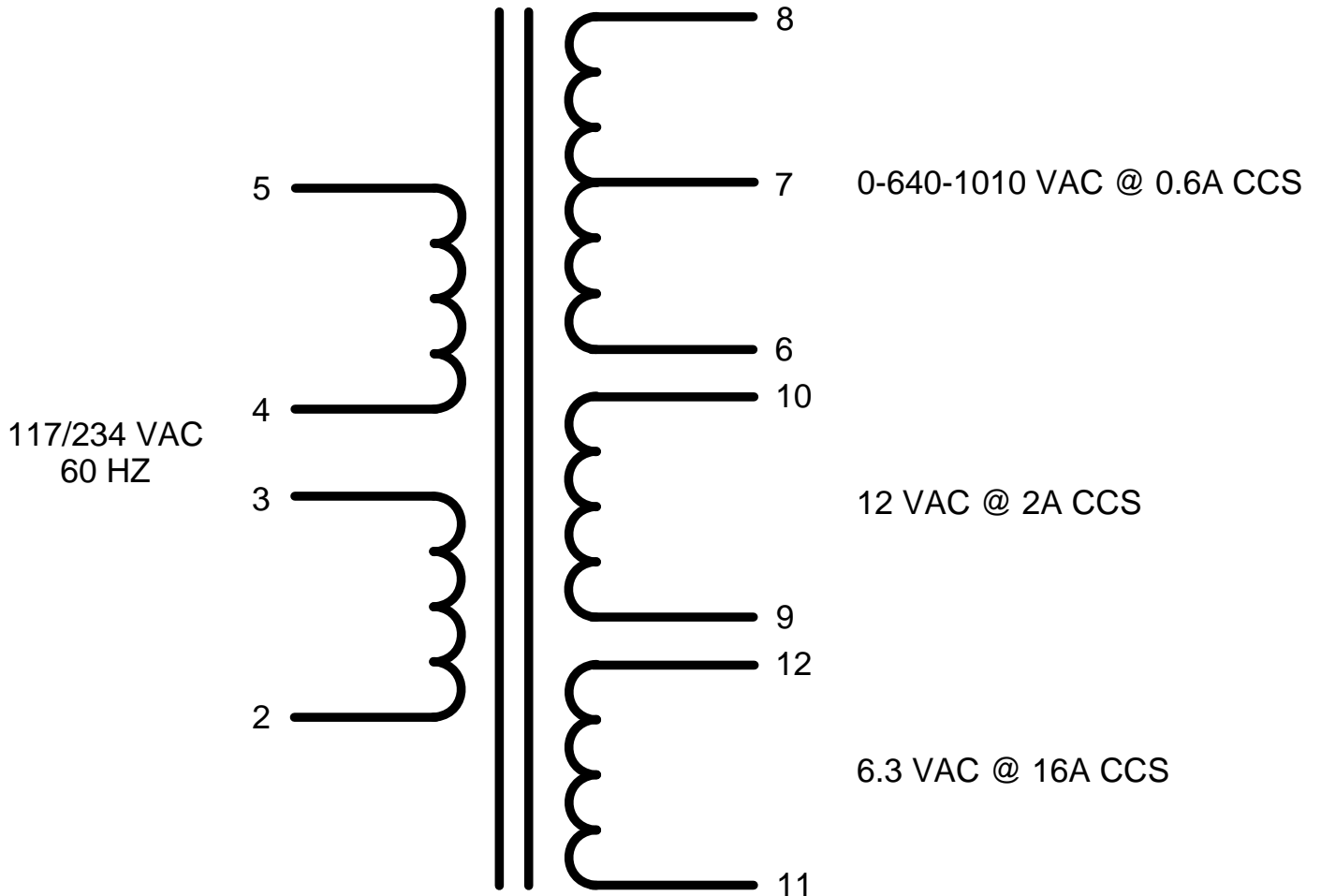




DENTRON CLIPPERTON-L POWER TRANSFORMER WIRING DIAGRAM



FOR 117 VAC: JUMPER (2 & 4) AND (3 & 5), EXCITE 2 & 3

FOR 234 VAC : JUMPER (3 & 4), EXCITE 2 & 5