

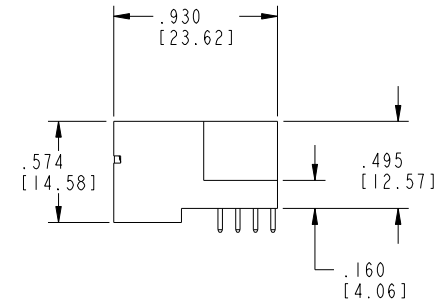
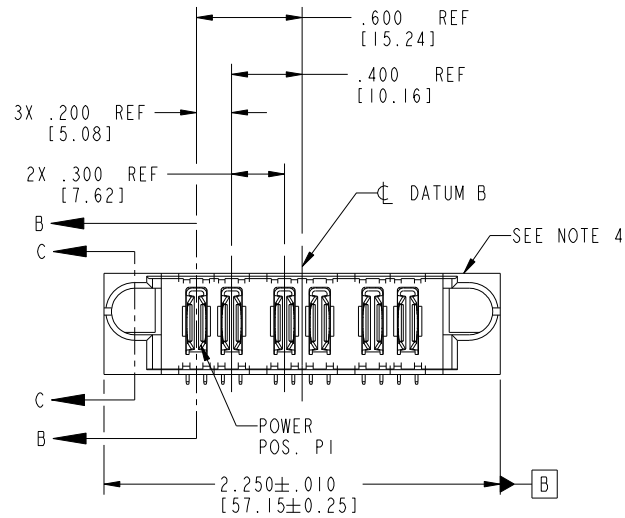


All rights strictly reserved. Reproduction or issue to third parties in any form whatever is not permitted without written authority from the proprietor. Property of FCI. Copyright FCI.

Tous droits strictement réservés. Reproduction ou communication à des tiers interdite sous quelque forme que ce soit sans autorisation écrite du propriétaire. Propriété de c FCI. Droits de reproduction FCI.

CODE	DIM "M" MATING LENGTH	CONTACT TYPE
PA	N/A [N/A]	POWER

PRODUCT NO. 51939-040 NOTE: ④	POWER						E2	
	E1	P1	P2	P3	P4	P5		P6



mat'l code				SEE NOTE 2		tolerances unless otherwise specified		CUSTOMER		 www.fciconnect.com	
ltr	ecn no.	dr	date	linear	.XX±.01/0.X±0.3		COPY		 title 6P RIGHT ANGLE SOLDER HEADER product family PwrBlade code 213 size dwg no 51939-040 sheet 1 of 4 scale 1:1 cage code 22526		
A	V03-0066	MEM	1/15/03		.XXX±.005/0.XX±0.13		projection				
B	DG05-0258	SJ	07/29/05		.XXX±.002/0.XXX±0.051		 INCH/MM				
C	DG06-0008	JMG	01/07/06		0°±2°		 1:1				
D	DG08-0273	WD	12/30/08	dr	M. MOSTOLLER	1/15/03	scale				
				enrg	M. MOSTOLLER	1/15/03					
				chr	H. BREWBAKER	1/15/03					
				appd	M. MOSTOLLER	1/15/03					
sheet index	revision sheet	D 1	D 2	D 3	D 4						

Pro/E

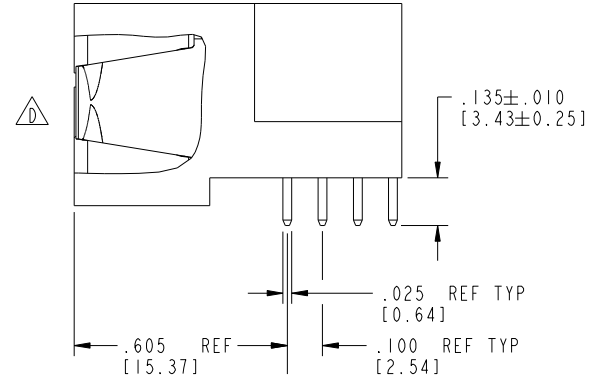
cage code 22526

Tous droits strictement reserves. Reproduction ou communication a des tiers interdite sous quelque forme que ce soit sans autorisation écrite du propriétaire. Propriete de c FCI. Droits de reproduction FCI.

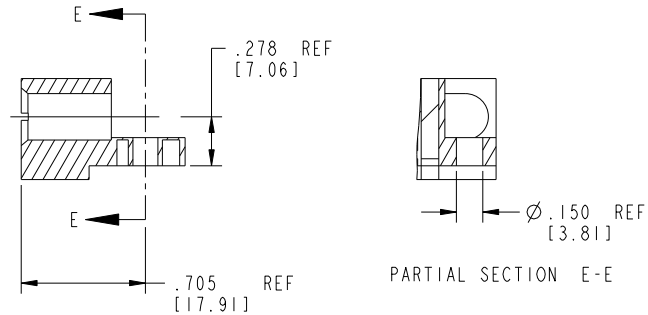


All rights strictly reserved. Reproduction or issue to third parties in any form whatsoever is not permitted without written authority from the proprietor. Property of FCI. Copyright FCI.

PRODUCT NUMBER
51939-040--
NOTE: ④



BROKEN-OUT SECTION B-B
SCALE 2:1



SECTION C-C

PARTIAL SECTION E-E

mat'l code				SEE NOTE 2		tolerances unless otherwise specified		CUSTOMER		 www.fciconnect.com	
ltr	ecn no.	dr	date	linear	.XX±.01/0.X±0.3		COPY		title		
D					.XXX±.005/0.XX±0.13		projection		6P		
					.XXX±.0020/0.XXX±0.051				RIGHT ANGLE SOLDER HEADER		
				angles	0°±2°		INCH/MM		product family		code
				dr	M. MOSTOLLER	1/15/03	scale		PwrBlade		213
				enr	M. MOSTOLLER	1/15/03	1:1		size		sheet
				chr	H. BREWBAKER	1/15/03	A		dwg no		2 of 4
				appd	M. MOSTOLLER	1/15/03			51939-040		
sheet index	revision sheet										

cage code 22526

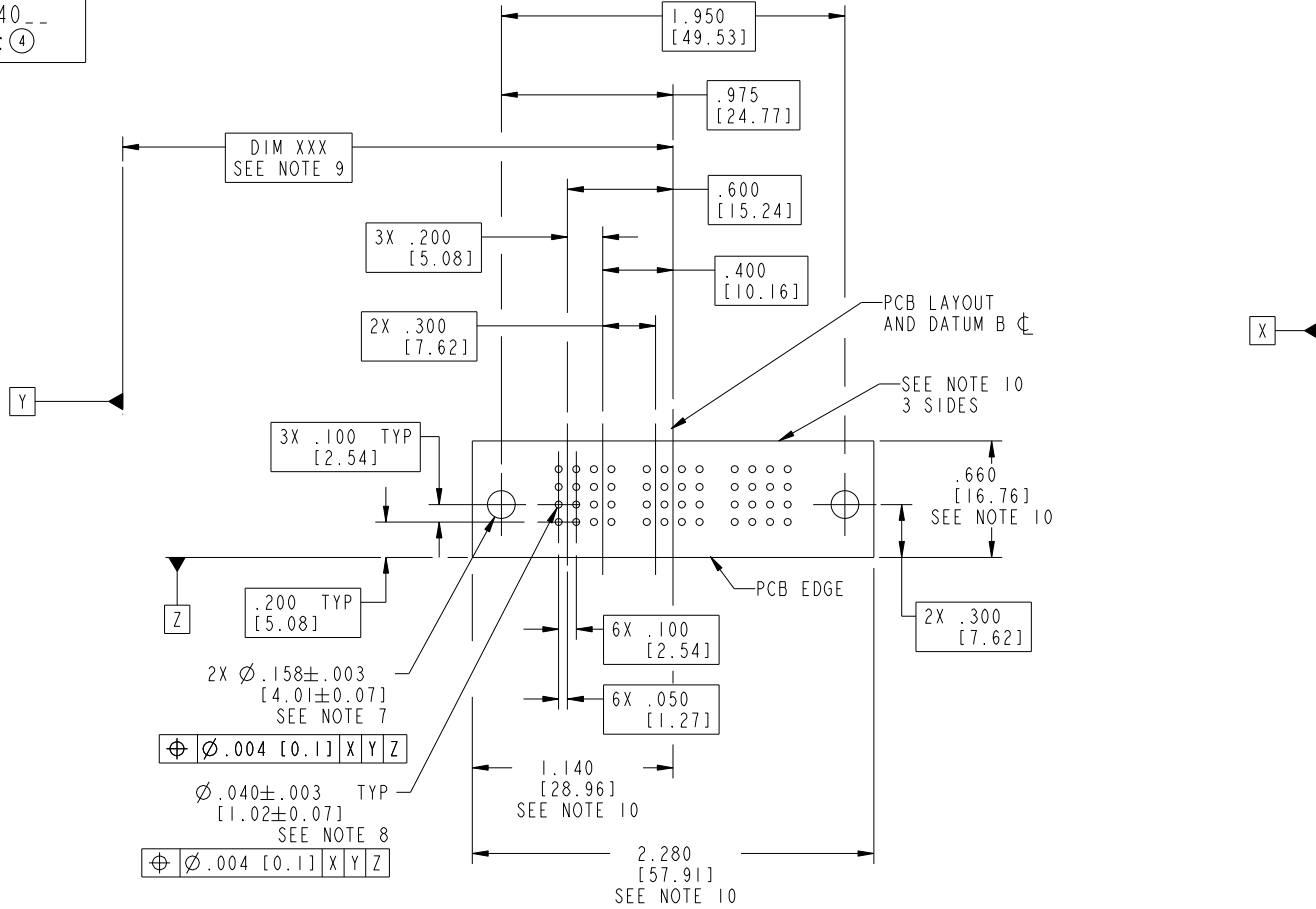
Pro/E

Tous droits strictement réservés. Reproduction ou communication à des tiers interdite sous quelque forme que ce soit sans autorisation écrite du propriétaire. Propriété de c.FCI. Droits de reproduction FCI.



All rights strictly reserved. Reproduction or issue to third parties in any form whatsoever is not permitted without written authority from the proprietor. Property of FCI. Copyright FCI.

PRODUCT NUMBER
51939-040--
NOTE: ④



RECOMMENDED PCB LAYOUT

mat'l code				SEE NOTE 2		tolerances unless otherwise specified		CUSTOMER		 www.fciconnect.com		
ltr	ecn no.	dr	date	linear	.XX±.01/0.X±0.3		COPY		 title 6P RIGHT ANGLE SOLDER HEADER	product family PwrBlade code 213		
D					.XXX±.005/0.XX±0.13		projection			size dwg no 51939-040		sheet 3 of 4
					.XXX±.0020/0.XXX±0.051		 INCH/MM scale 1:1					
				angles	0°±2°							
		dr	M. MOSTOLLER	1/15/03								
		enrg	M. MOSTOLLER	1/15/03								
		chr	H. BREWBAKER	1/15/03								
		appd	M. MOSTOLLER	1/15/03								
sheet index	revision sheet											

cage code 22526

Pro/E

Tous droits strictement réservés. Reproduction ou communication à des tiers interdite sous quelque forme que ce soit sans autorisation écrite du propriétaire. Propriété de c FCI. Droits de reproduction FCI.



All rights strictly reserved. Reproduction or issue to third parties in any form whatsoever is not permitted without written authority from the proprietor. Property of FCI. Copyright FCI.

PRODUCT NUMBER
51939-040--
NOTE: ④

NOTES:

1. DIMENSIONS AND TOLERANCES ARE IN ACCORDANCE WITH ASME Y14.5M, 1994 UNLESS OTHERWISE SPECIFIED.

CONNECTOR NOTES:

② HOUSING MATERIAL: UL 94 V-0 GLASS FILLED HIGH-TEMP THERMOPLASTIC
POWER CONTACT MATERIAL: COPPER ALLOY
SIGNAL PIN MATERIAL: COPPER ALLOY

⚠ 3. SEE ITEM 1 & 2 IN PRINT 10064183 FOR PLATING SPEC OF 51939-040 AND 51939-040LF RESPECTIVELY.

④ MANUFACTURER'S NAME, P/N, AND DATE CODE TO APPEAR ON THIS SURFACE.

5. PRODUCT SPECIFICATION GS-12-149.
APPLICATION SPECIFICATION BUS-20-067.
PACKAGED IN TRAYS.

PCB NOTES:

6. ALL HOLE DIAMETERS ARE FINISHED HOLE SIZE.
7. MOUNTING HOLES, WHERE APPLICABLE, ARE UNPLATED.

⑧ $\varnothing .0453 \pm 0.0010$ [1.151 \pm 0.025] DRILLED HOLES PLATED WITH
0.0003 [0.008] MIN SnPb OVER .001 [0.03]
TO .003 [0.08] Cu PLATING TO ACHIEVE
 $\varnothing .040 \pm .003$ [1.02 \pm .07] HOLE.

⑨ "DIM XXX" TO BE DETERMINED BY THE CUSTOMER.

⑩ CONNECTOR KEEP-OUT ZONE.

11. A ⚠ SYMBOL WILL BE NEXT TO ANY DIMENSION, VIEW, OR NOTE WHICH HAS BEEN MODIFIED WITH THE CURRENT DRAWING REVISION.

mat'l code		SEE NOTE 2		tolerances unless otherwise specified		CUSTOMER		FCI		www.fciconnect.com	
ltr	ecn no.	dr	date	linear	.XX+ .01/0.X+0.3	COPY		projection		title	
D					.XXX+ .005/0.XX+0.13			⊕		6P	
				angles	.XXX+ .002/0.XXX+0.051					RIGHT ANGLE SOLDER HEADER	
				dr	0°+2°					product family	
				enr	M. MOSTOLLER 1/15/03	INCH/MM		PwrBlade		code	
				chr	M. MOSTOLLER 1/15/03	scale		size		213	
				appd	H. BREWBAKER 1/15/03	1:1		dwg no		sheet	
					M. MOSTOLLER 1/15/03			A		4 of 4	
sheet index		revision sheet									

cage code 22526