

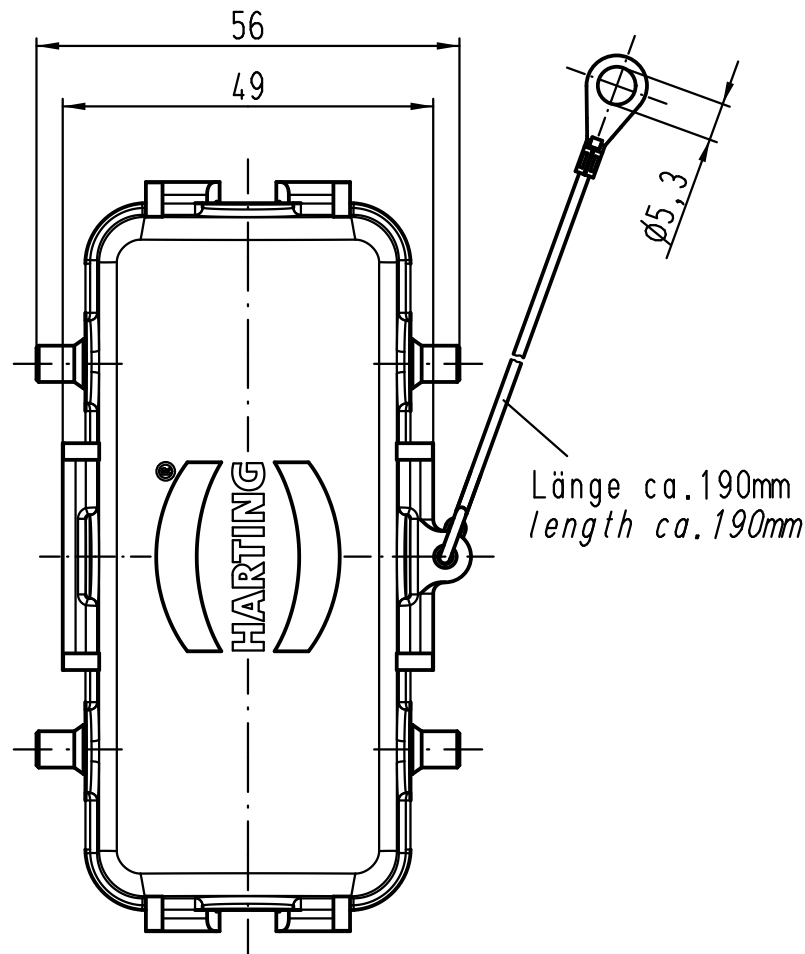
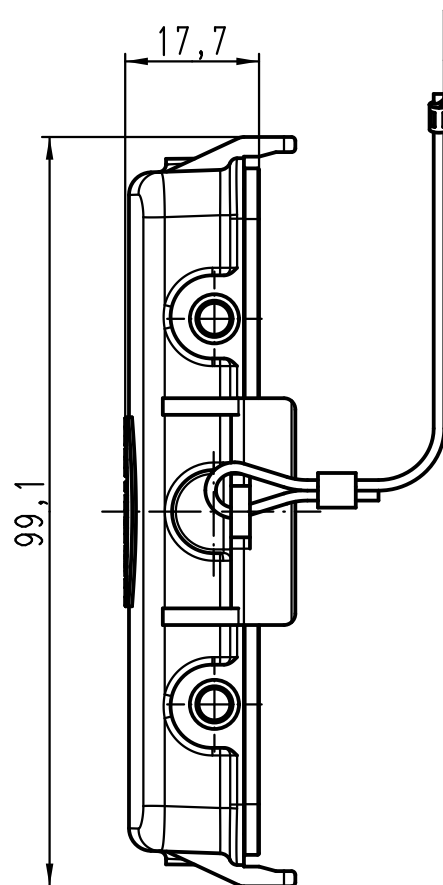
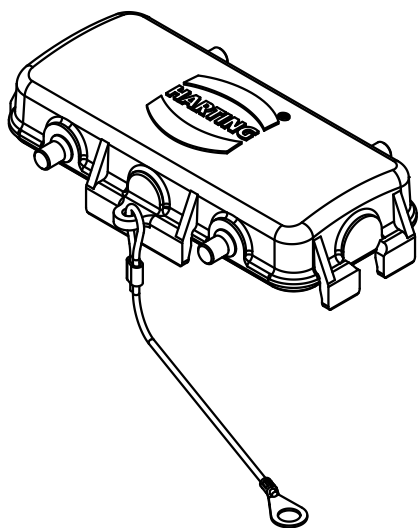
1 2 3 4 5 6

A

B

C

D



| | | | | | | |
|---|----------|-------------------|--------------------------------|--------------|---|--|
| All Dimensions in mm Original Size DIN A 4 | | Techn. Character. | | | Nicht tolerierte Maß/Free size tolerances | |
| | | | Dat. | Name | Maßstab/Scale 1:1 | Han 16B-AK / Han 16B-C Metallabdeckkappe, schwarz <i>metal cover, black</i> |
| | | | Detail. | 06.03.09 Bor | | |
| | | | Insp. | Tie | | |
| | | | Stand. | | | |
| B | 28.03.12 | Ho | HARTING Electric GmbH & Co. KG | | TB 09 30 716 5425 | Blatt/page |
| A | | | D-32339 Espelkamp | | | |
| Mod. | Dat. | Name | | | | |
| | | | | | Sub. | |