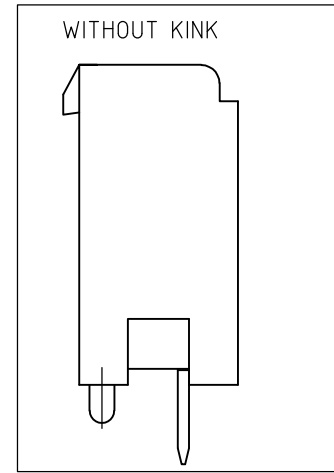
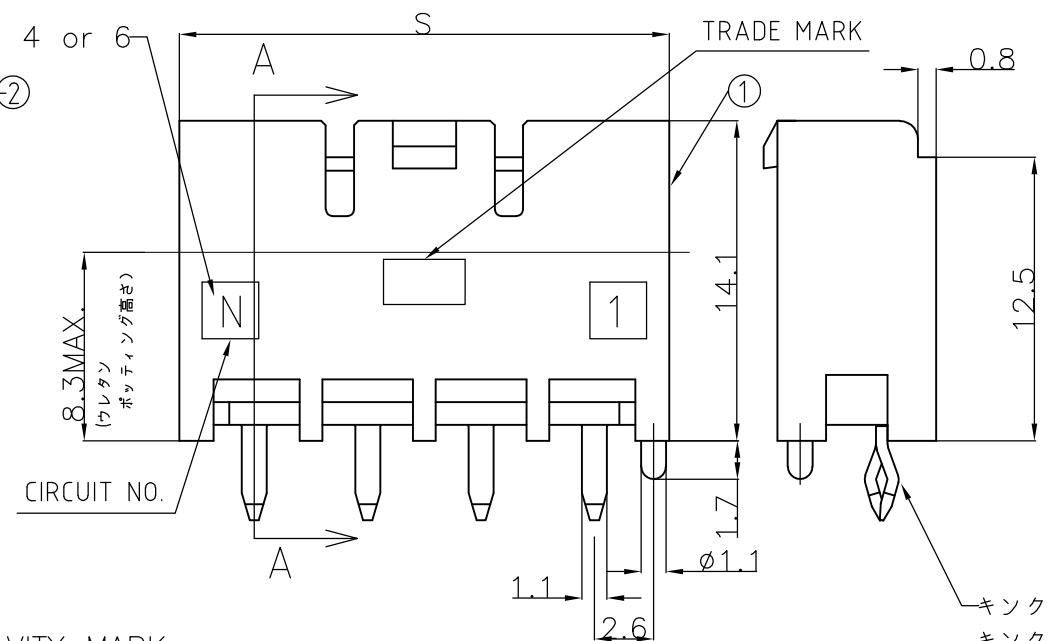
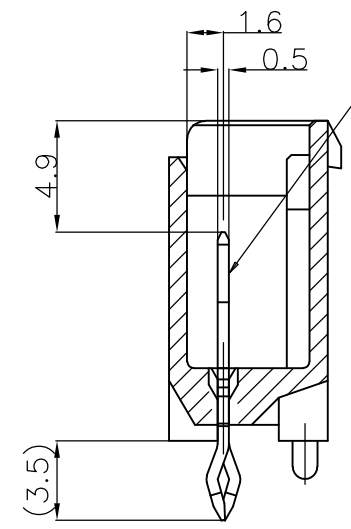
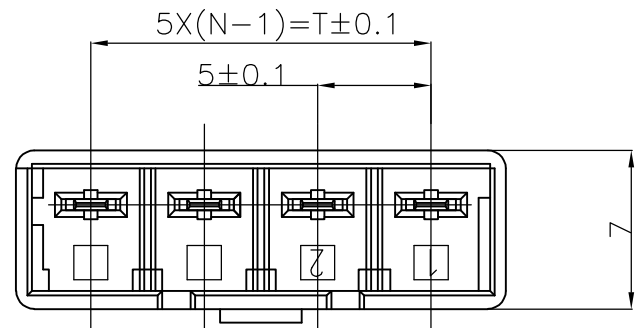


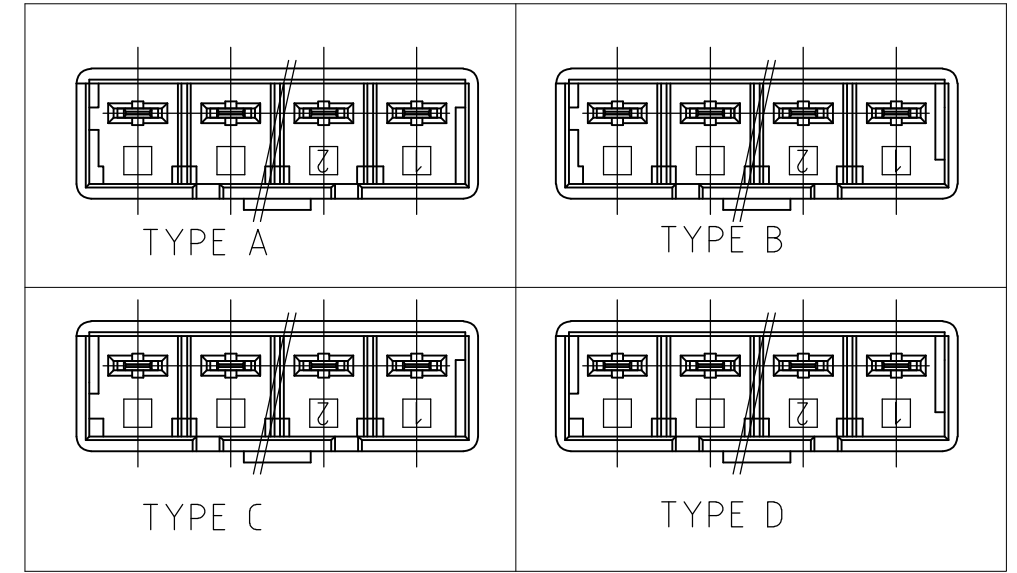
THIS DRAWING IS UNPUBLISHED. RELEASED FOR PUBLICATION
 © COPYRIGHT - By - ALL RIGHTS RESERVED.

LOC	DIST	REVISIONS					
		P	LTR	DESCRIPTION	DATE	DWN	APVD
J	-	D2		REVISED PER ECO-11-005030	11MAR11	RK	HMR
		E		REVISED PER ECR-12-015003	23AUG12	A.Z	F.M



キック形状:
 キック無し形状は本タイプ
 部がストレートである。
 KINK SHAPE:
 WITHOUT KINK IS
 STRAIGHT SHAPE
 OF TINE.

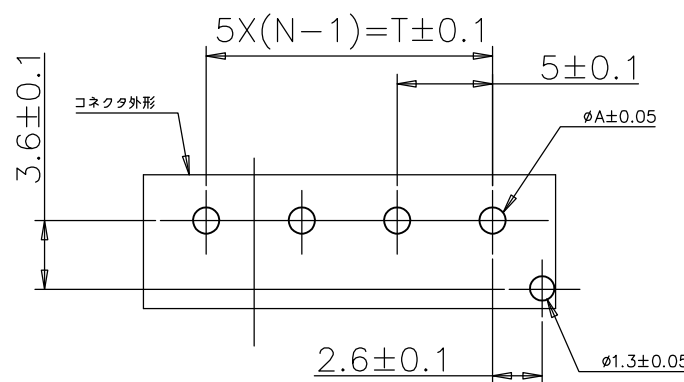
キーイングタイプ
 THE TYPE OF KEYING



寸法	DIMENSION	T	S	N	かん合相手 (プラグ) P/N MATING CONN. P/N	キック有無 WITH/WITHOUT KINK	キーイングタイプ TYPE OF KEYING	色 Color	極数 Pos	型番 PART NO.
25	31.6	6			1376391-1	WITHOUT KINK	TYPE A	NATURAL	6Pos	5-1376385-1
25	31.6	6			3-1376391-4	WITH KINK	TYPE D	YELLOW	6Pos	3-1376385-4
25	31.6	6			2-1376391-3	WITH KINK	TYPE C	BLUE	6Pos	2-1376385-3
25	31.6	6			1-1376391-2	WITH KINK	TYPE B	RED	6Pos	1-1376385-2
25	31.6	6			1376391-1	WITH KINK	TYPE A	NATURAL	6Pos	1376385-1
15	21.6	4			1376390-5	WITH KINK	TYPE A	NATURAL	4Pos	1-1376384-6
15	21.6	4			1-1376390-5	WITH KINK	TYPE B	RED	4Pos	1-1376384-5
15	21.6	4			1376390-1	WITHOUT KINK	TYPE A	NATURAL	4Pos	5-1376384-1
15	21.6	4			3-1376390-4	WITH KINK	TYPE D	YELLOW	4Pos	3-1376384-4
15	21.6	4			2-1376390-3	WITH KINK	TYPE C	BLUE	4Pos	2-1376384-3
15	21.6	4			1-1376390-2	WITH KINK	TYPE B	RED	4Pos	1-1376384-2
15	21.6	4			1376390-1	WITH KINK	TYPE A	NATURAL	4Pos	1376384-1

NO.	NAME	MATERIAL
②	HEADER HOUSING	6/6 NYLON GRASS FILLED/ NYLON 6
①	TAB	COPPER ALLOY TIN PLATED

NOTES)
 1. RECOMMENDED P.C.B LAY OUT
 2. APPLICABLE P.C.B. THICKNESS:1.6
 3. MATING CONN. P/N
 PLUG HOUSING :SEE TABLE
 4. 1-1376384-5 AND 1-1376384-6 COMPLY
 WITH GLOW WIRE REQUIREMENT FOR
 PARTS OF NON-METALLIC MATERIAL
 SUPPORTING A CURRENT-CARRYING
 CONNECTION DETAILED IN IEC 60335-1,
 SECTION 30 (GWT).



パンチ加工	1.25
ドリル加工	1.4
	A 寸法

プリント基板推奨穴加工寸法

THIS DRAWING IS A CONTROLLED DOCUMENT.

DIMENSIONS: 単位: 耗 mm	TOLERANCES UNLESS OTHERWISE SPECIFIED: 一般公差
0 P/LC	± 0.2
1 P/LC	±
2 P/LC	±
3 P/LC	±
4 P/LC	±
ANGLES	± 1°
FINISH 仕上	SEE TABLE
MATERIAL 材料	SEE TABLE

DWN A.OISHI 28AUG'00	TE Connectivity 5.0 POWER KEY CONNECTOR 4P HEADER ASSEMBLY	NAME 名称
CHK Y.KASHIWA 28AUG'00		SIZE A3
APVD Y.KASHIWA 28AUG'00		CAGE CODE 00779
PRODUCT SPEC 製品規格 108-5699		DRAWING NO 番号 C-1376384
APPLICATION SPEC 取付適用規格 114-5292	RESTRICTED TO	
WEIGHT -	SCALE 尺度 3:1	SHEET 1 OF 1
CUSTOMER DRAWING	REV E	