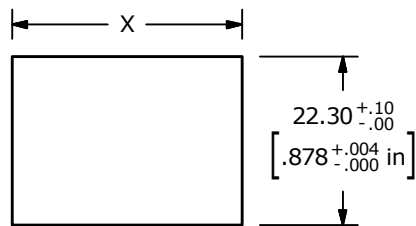
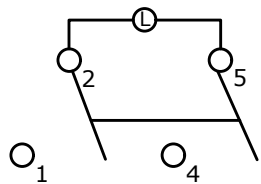


| SWITCH FUNCTION ▲ | | |
|-------------------|--------|----------|
| POS. 1 | POS. 2 | POS. 3 |
| | | |
| OFF | N/A | ON |
| OPEN | N/A | 2-1, 5-4 |



RECOMMENDED
PANEL MOUNTING

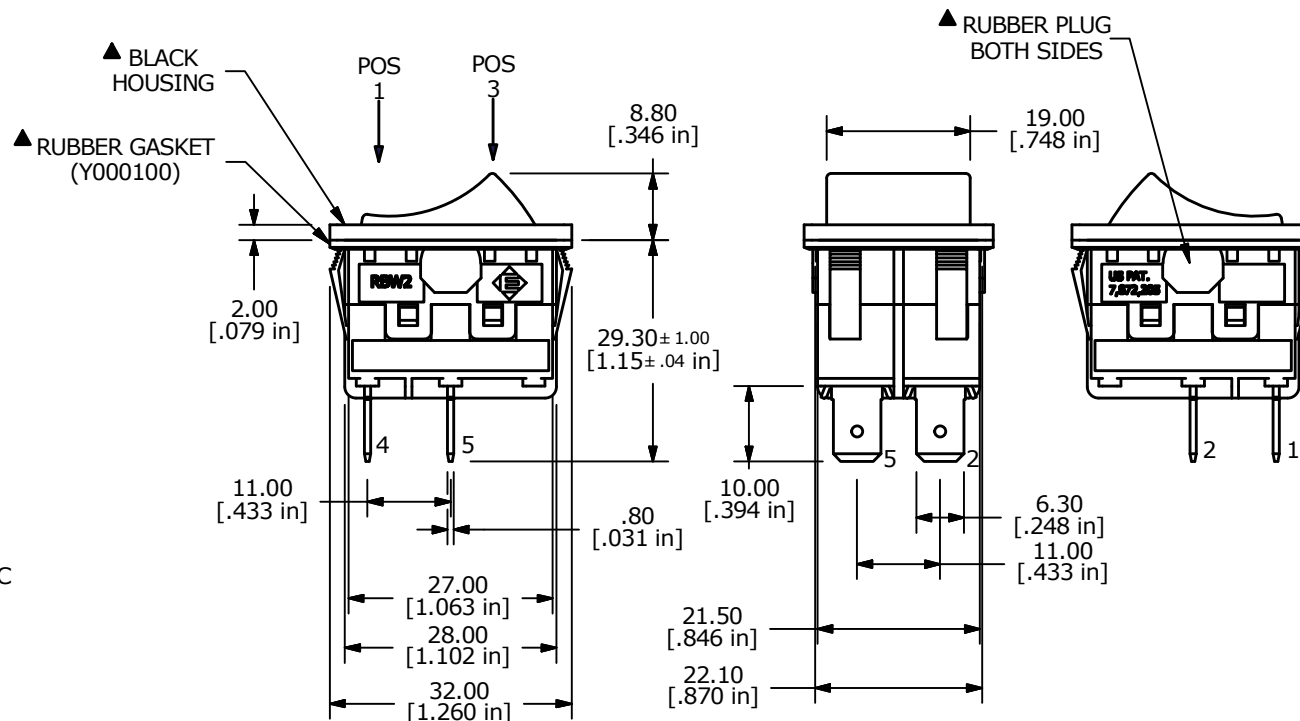
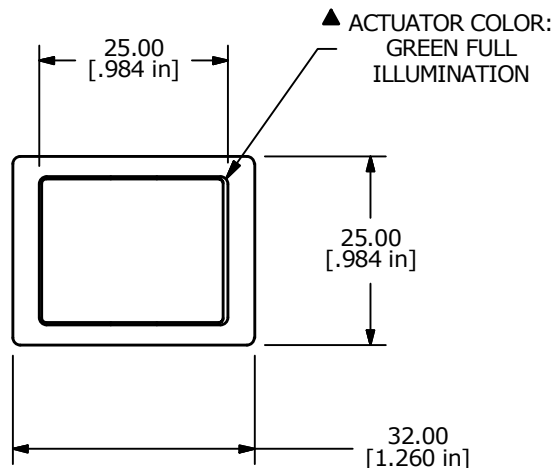
| PANEL THICKNESS | X |
|-----------------|-----------|
| 1.2-1.8 | 29.9/30.0 |
| 1.8-2.4 | 30.3/30.4 |
| 2.4-3.0 | 30.7/30.8 |



CIRCUIT: DPST
FUNCTIONS

NOTES:

1. ALL DIMENSIONS IN mm [INCH]
2. GENERAL TOLERANCE: X.X=±0.4
X.XX=±0.25
3. TERMINAL NUMBERS FOR REF ONLY
4. RATING: 12VDC 18A
5. MECHANICAL LIFE: 50,000 CYCLES
6. CONTACT RESISTANCE: <30 MILLI-OHMS INITIAL
7. DIELECTRIC STRENGTH: 1000VAC 1MIN
8. ▲ DENOTES CRITICAL PARAMETER.
9. INSULATION RESISTANCE: 500M OHMS AT 500VDC
10. OPERATING TEMP: -20°C to 85°C
- ▲ 11. LAMP: 12VDC INCANDESCENT
12. RATING: IP66
13. 2011/65/EU (ROHS) COMPLIANT



| | | | | |
|-----|--------|-----------------------|---------|-----|
| B | 22310 | UPDATED SWITCH RATING | 5/20/16 | MJR |
| A | 22294 | NEW RELEASE | 5/5/16 | MJR |
| REV | PCR NO | DESCRIPTION | DATE | BY |

THE INFORMATION CONTAINED IN THIS DOCUMENT IS PROPRIETARY TO E-SWITCH AND IS NOT TO BE COPIED OR TRANSFERRED



| | | | | |
|----------------------|---------------|--------|-------------|-------|
| TITLE RBW2ABLKGFLEF3 | | | | |
| SCALE 1:1 | DATE 5/5/2016 | DR MJR | DWG Y100016 | REV B |