

TABLE 1

MOLEX P/N	ENG. NO.	LED
1202480087	BTB803P-FBA	YES

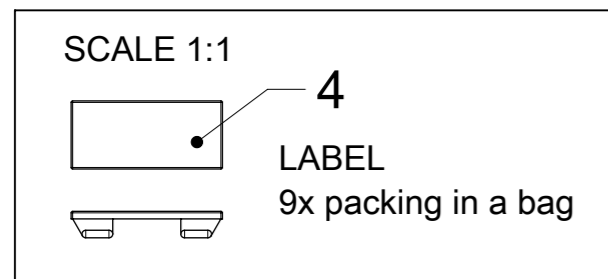
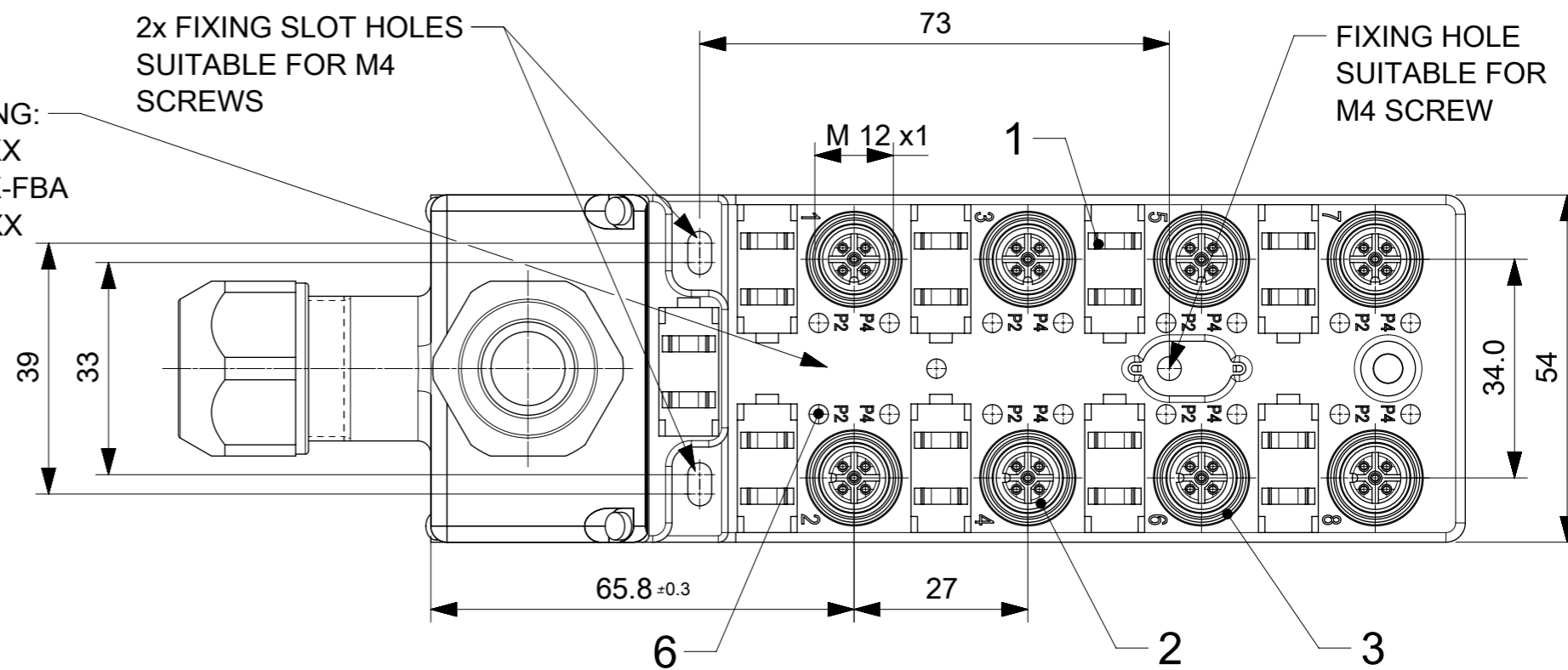
TABLE 2 BILL OF MATERIAL

ITEM	DESCRIPTION	MATERIAL	FINISH
1	CONTACT	BRONZE	GOLD OVER NICKEL
2	O-RING	FPM	RED
3	SHELL	BRASS	NICKEL PLATED
4	LABEL	ABS	WHITE
5	HOUSING	PBT	BLACK
6	LED	PA	TRANSPARENT
7	O-RING	NBR	BLACK
8	CLAMPBOX	PBT	BLACK
9	NUT	PA	BLACK
10	GASKET	NBR	BLACK

LASER PRINTING:
 PN: 120248XXXX
 ENG.: BTB803X-FBA
 PO: XXXXXXXXXX

2x FIXING SLOT HOLES
 SUITABLE FOR M4
 SCREWS

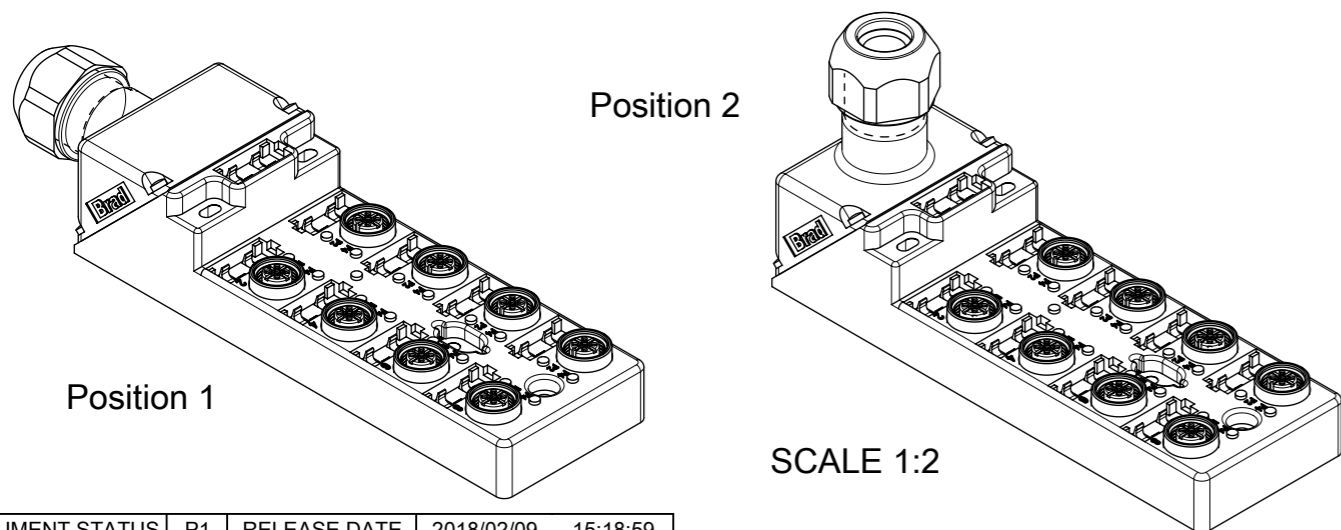
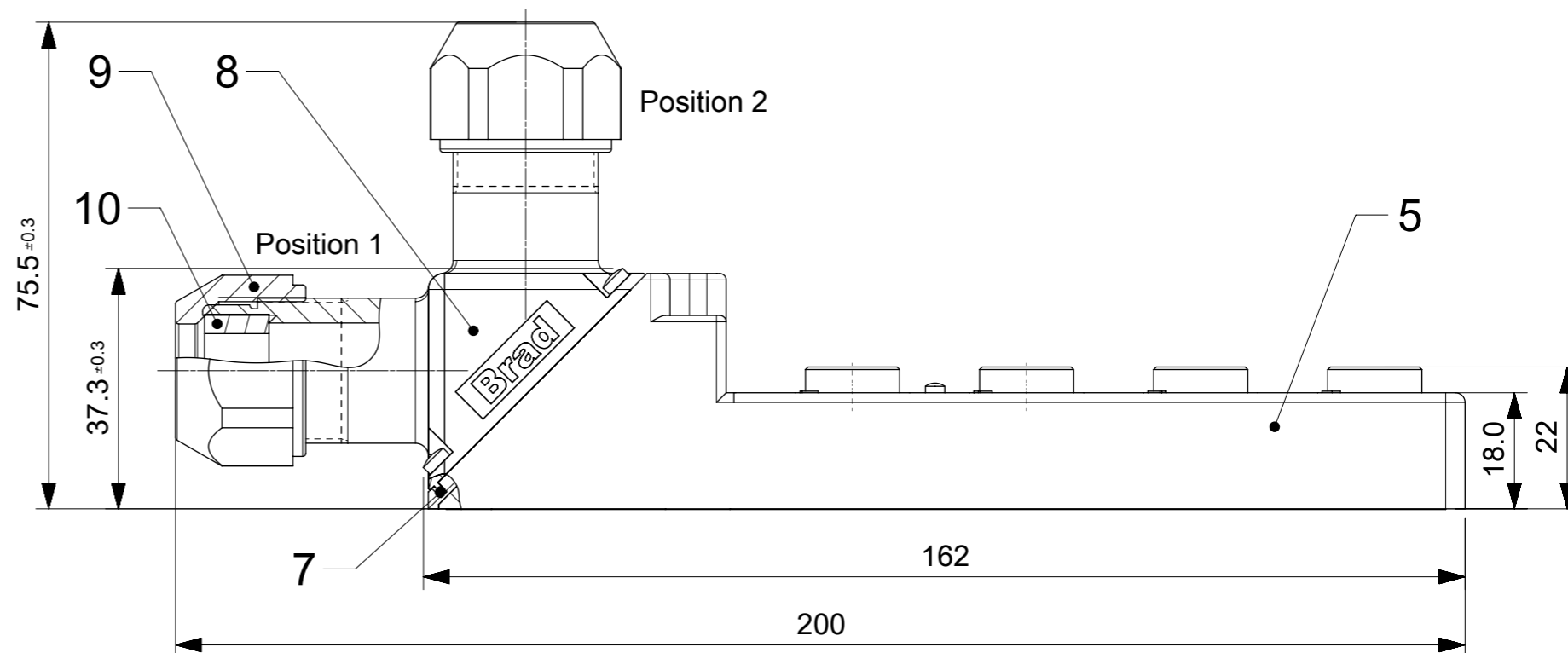
FIXING HOLE
 SUITABLE FOR
 M4 SCREW



GENERAL CHARACTERISTICS:

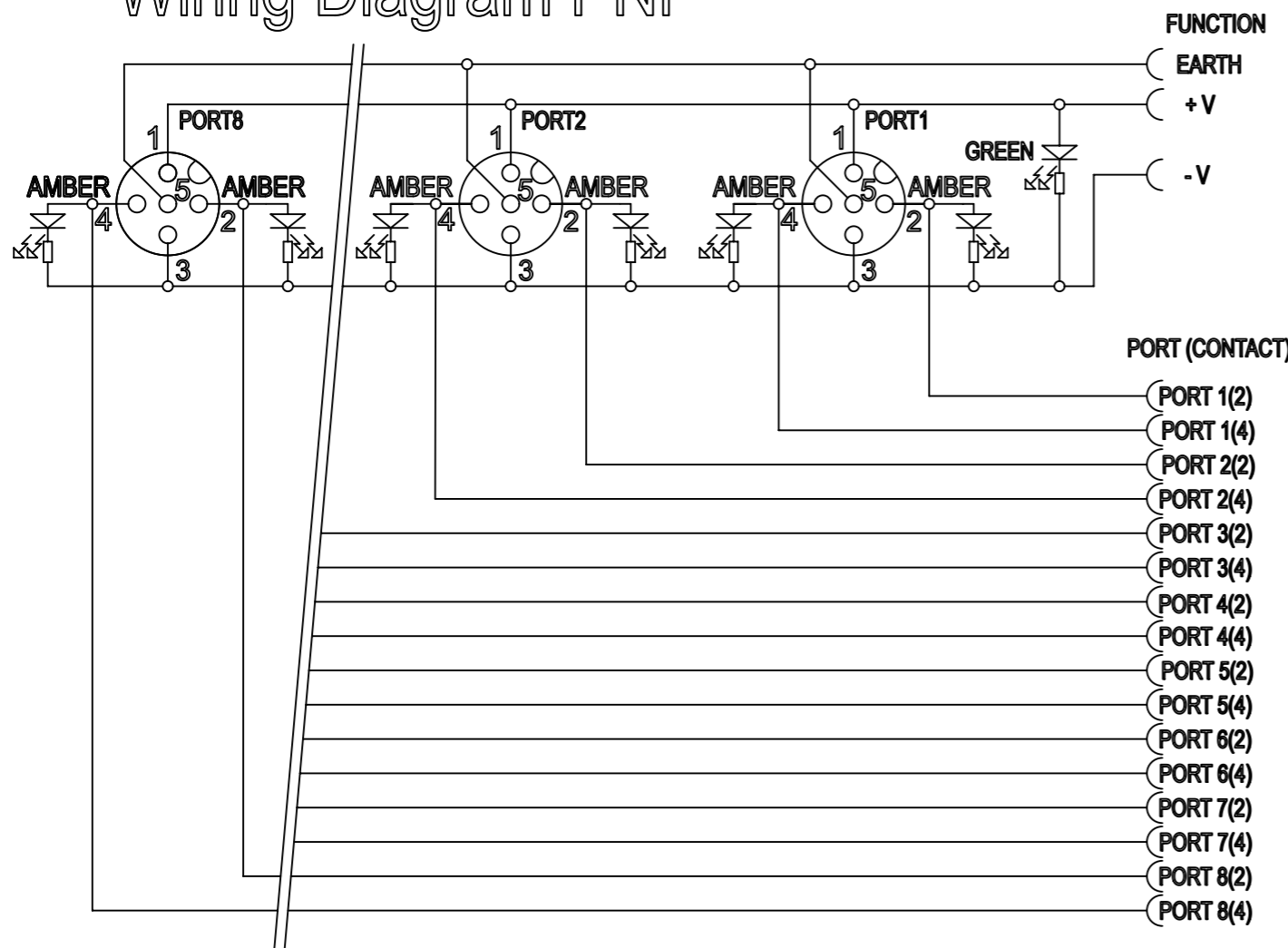
ELECTRICAL AND MECHANICAL DATA ACC. TO IEC 61076-2-101

NOMINAL VOLTAGE: 10-30 V DC
 AMPERE RATING: 4 A PER PORT / 12 A MAX
 AMPERE RATING WITH UL REGISTRATION: 3 A PER PORT / 9 A MAX
 IP DEGREE OF PROTECTION: IP 67
 TEMPERATURE RANGE: -25°C to + 85°C



SYMBOLS	THIS DRAWING CONTAINS INFORMATION THAT IS PROPRIETARY TO MOLEX ELECTRONIC TECHNOLOGIES, LLC AND SHOULD NOT BE USED WITHOUT WRITTEN PERMISSION	CURRENT REV DESC: LASER PRINTING		molex	
	DIMENSION UNITS	SCALE	ADDED		
▽ = 0	mm			MPIS M12 FA PNP 5P 8PT AC FE	
▽ = 0	GENERAL TOLERANCES (UNLESS SPECIFIED)			PRODUCT CUSTOMER DRAWING	
▽ = 0	ANGULAR TOL	±	°	DOCUMENT NUMBER	
▽ = 0	4 PLACES	±		1202480087	DOC TYPE
▽ = 0	3 PLACES	±		PSD	DOC PART
▽ = 0	2 PLACES	±		000	REVISION
▽ = 0	1 PLACE	±	0.2	A4	
▽ = 0	0 PLACES	±	0.3		
□ = 0	DRAFT WHERE APPLICABLE	THIRD ANGLE PROJECTION		MATERIAL NUMBER	
▽ = 0	MUST REMAIN WITHIN DIMENSIONS	DRAWING		CUSTOMER	
		A3-SIZE		GENERAL MARKET	
		120248		SEE TABLE 1	
		SERIES		SHEET NUMBER	
		120248		1 OF 2	

Wiring Diagram PNP

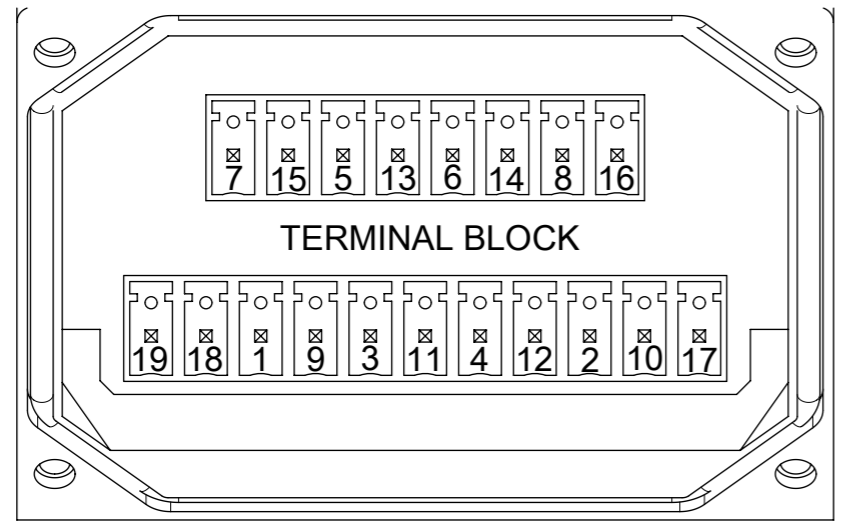
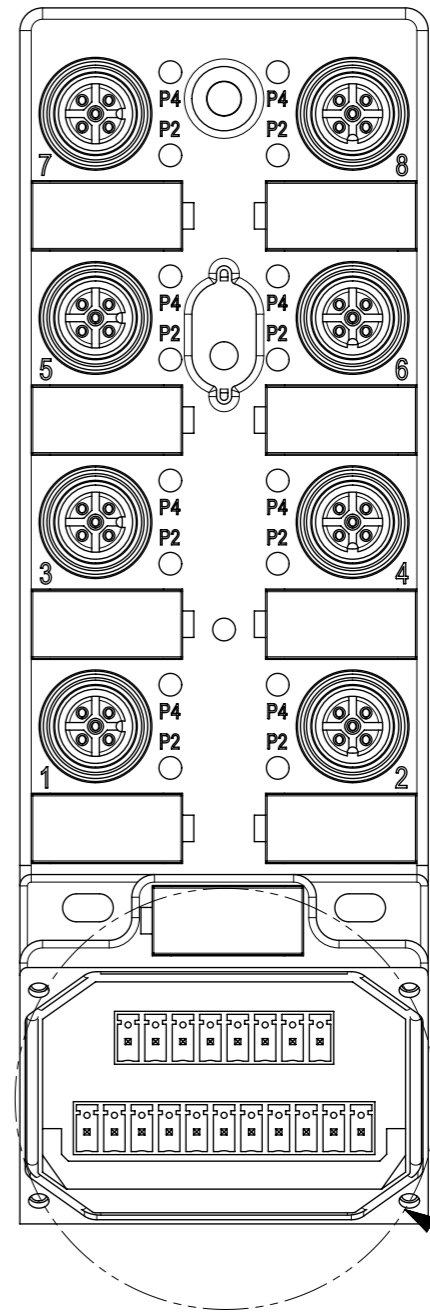


FUNCTION
 EARTH
 +V
 -V

PORT (CONTACT)
 PORT 1(2)
 PORT 1(4)
 PORT 2(2)
 PORT 2(4)
 PORT 3(2)
 PORT 3(4)
 PORT 4(2)
 PORT 4(4)
 PORT 5(2)
 PORT 5(4)
 PORT 6(2)
 PORT 6(4)
 PORT 7(2)
 PORT 7(4)
 PORT 8(2)
 PORT 8(4)

TERMINAL BLOCK NUMBER
 PIN19
 PIN17
 PIN18

TERMINAL BLOCK NUMBER
 PIN 9
 PIN 1
 PIN 10
 PIN 2
 PIN 11
 PIN 3
 PIN 12
 PIN 4
 PIN 13
 PIN 5
 PIN 14
 PIN 6
 PIN 15
 PIN 7
 PIN 16
 PIN 8



DETAIL D
 SCALE 2:1

THIS DRAWING CONTAINS INFORMATION THAT IS PROPRIETARY TO MOLEX ELECTRONIC TECHNOLOGIES, LLC AND SHOULD NOT BE USED WITHOUT WRITTEN PERMISSION													
SYMBOLS	DIMENSION UNITS	SCALE	CURRENT REV DESC: LASER PRINTING ADDED										
	mm												
▽ = 0	GENERAL TOLERANCES (UNLESS SPECIFIED)		EC NO: 172073			MPIS M12 FA PNP 5P 8PT AC FE							
	ANGULAR TOL ± °		DRWN: BBRAUCH 2018/01/31										
▽ = 0	4 PLACES	±	CHK'D: ULETTENMEIER 2018/02/08			PRODUCT CUSTOMER DRAWING							
▽ = 0	3 PLACES	±	APPR: RSILLER 2018/02/09										
▽ = 0	2 PLACES	±	INITIAL REVISION:			DOCUMENT NUMBER		DOC TYPE		DOC PART		REVISION	
▽ = 0	1 PLACE	± 0.2	DRWN: AAHLERS 2015/04/09			1202480087		PSD		000		A4	
▽ = 0	0 PLACES	± 0.3	APPR: JALEXANDER 2015/05/28			SEE TABLE 1		GENERAL MARKET		SHEET NUMBER		2 OF 2	
■ = 0	DRAFT WHERE APPLICABLE MUST REMAIN WITHIN DIMENSIONS		THIRD ANGLE PROJECTION		DRAWING	SERIES	MATERIAL NUMBER		CUSTOMER		SHEET NUMBER		
▽ = 0					A3-SIZE	120248							