

Table of Contents

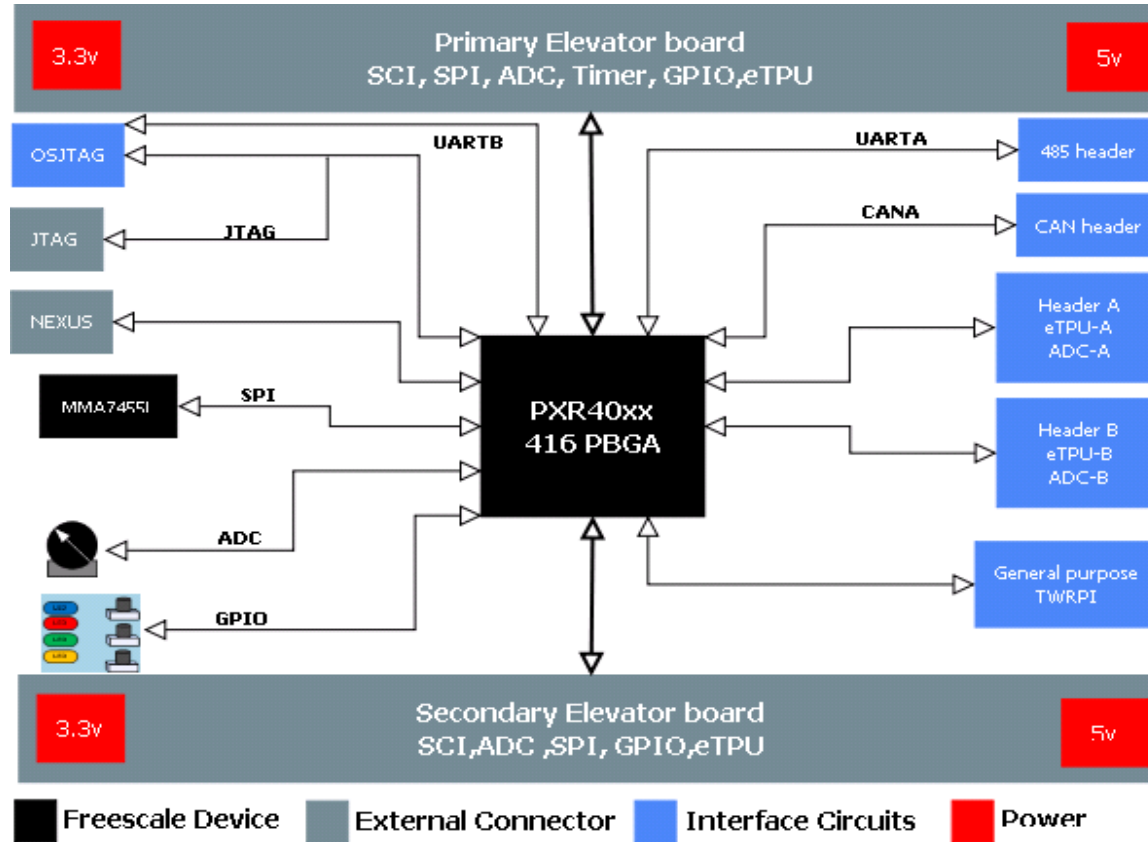
1	TITLE
2	BLOCK DIAGRAM
3	MCU
4	CAN / RS-485 / BOOT CONFIG SW.
5	ADC/TWRPI/GPIO/NEXUS
6	USB/OSJTAG
7	ELEVATORS
8	EXPANSION HEADERS

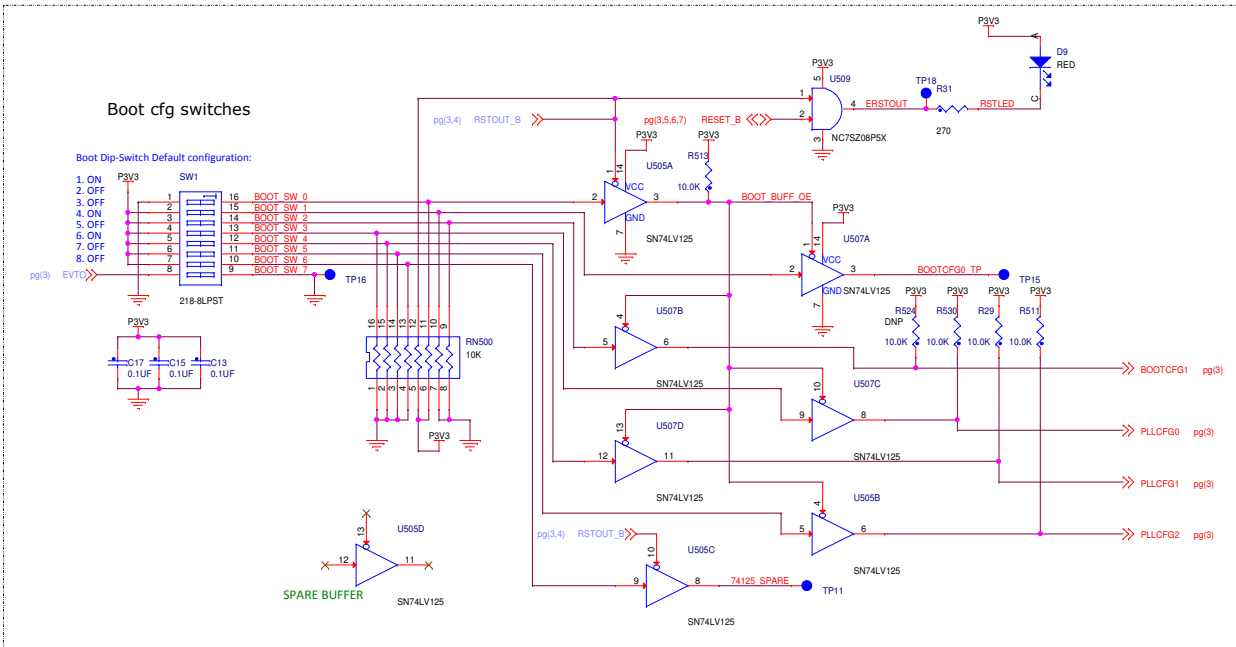
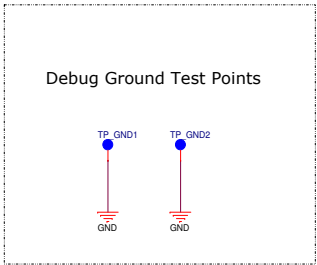
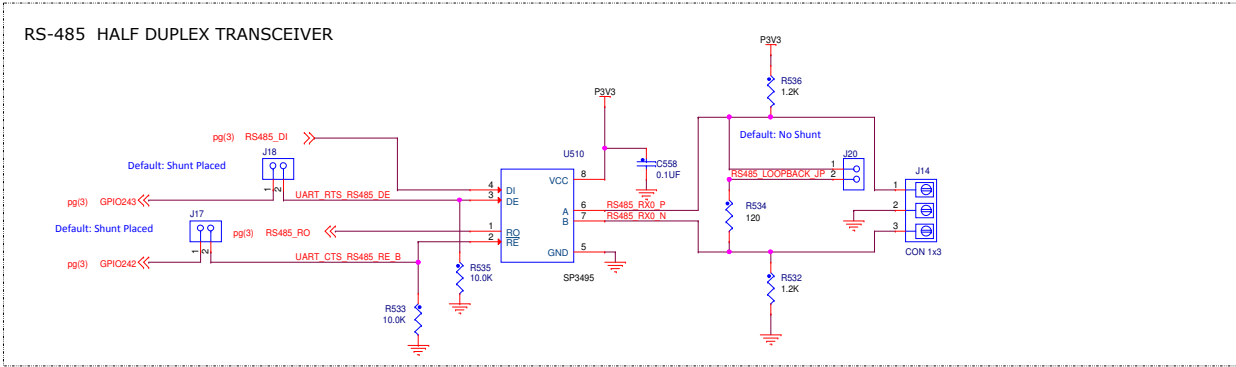
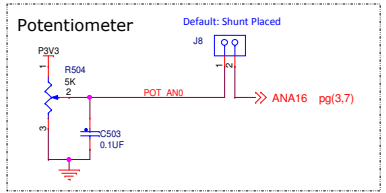
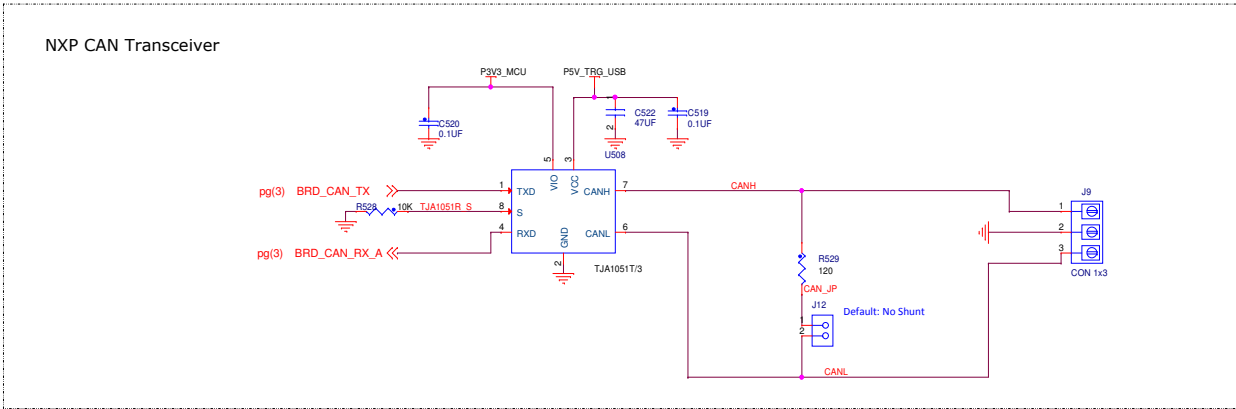
Revisions

Rev	Description	Date	Approved
X1	Initial Draft	10/03/11	A. Pintor
X2	Implemented changes requested on design review checklist Several changes done on power section (UID and ballast) per BU review. Changed PCIE connectors for Expansion Headers A/B Changed Test Block symbols	10/07/11	A. Pintor
A	Initial Release	10/19/11	A. Pintor
B	Rev B Release	03/02/12	A. Pintor

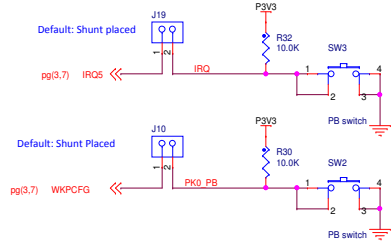
		Microcontroller Solutions Group 6501 William Cannon Drive West Austin, TX 78752-8689	
<small>This document contains information proprietary to Freescale Semiconductor and shall not be used for engineering design, procurement or manufacture in whole or in part without the express written permission of Freescale Semiconductor.</small>			
Designer: Rafael del Rey		ICAP Classification: FCP: FIUQ: X PUB:	
Drawn by: Rafael del Rey		TWR-PXR40	
TITLE PAGE			
Approved: Alberto Pintor	Size C	Document Number SCH-27308 PDF: SPF-27308	Rev B1
Date: Wednesday, March 14, 2012		Sheet 1 of 8	

- Unless Otherwise Specified:
 All resistors are in ohms, 5%, 1/8 Watt
 All capacitors are in uF, 20%, 50V
 All voltages are DC
 All polarized capacitors are aluminum electrolytic
- Interrupted lines coded with the same letter or letter combinations are electrically connected.
- Device type number is for reference only. The number varies with the manufacturer.
- Special signal usage:
 _B Denotes - Active-Low Signal
 <> or [] Denotes - Vectored Signals
- Interpret diagram in accordance with American National Standards Institute specifications, current revision, with the exception of logic block symbology.

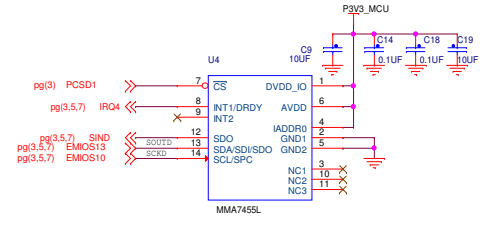




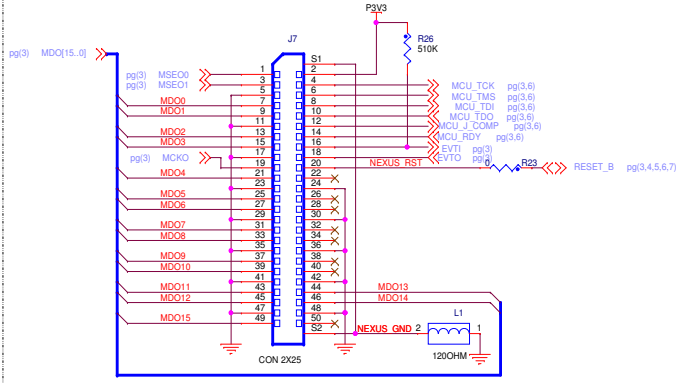
User Push Buttons



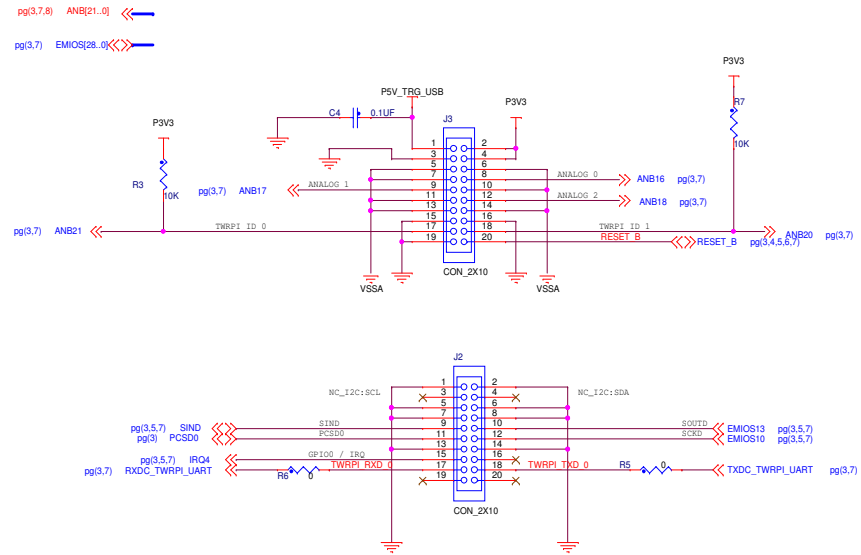
MMA7455L Accelerometer



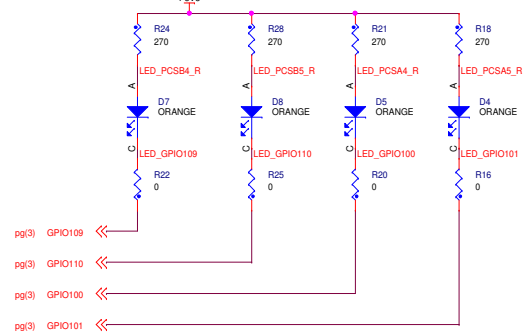
NEXUS (SAMTEC)



General Purpose TWRPI Socket



USER LED



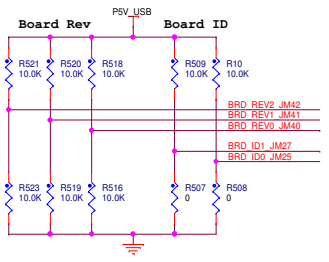
freescale
semiconductor

ICAP Classification: FCP: FIUC: X PUI: _____
Drawing Title: **TWR-PXR40**

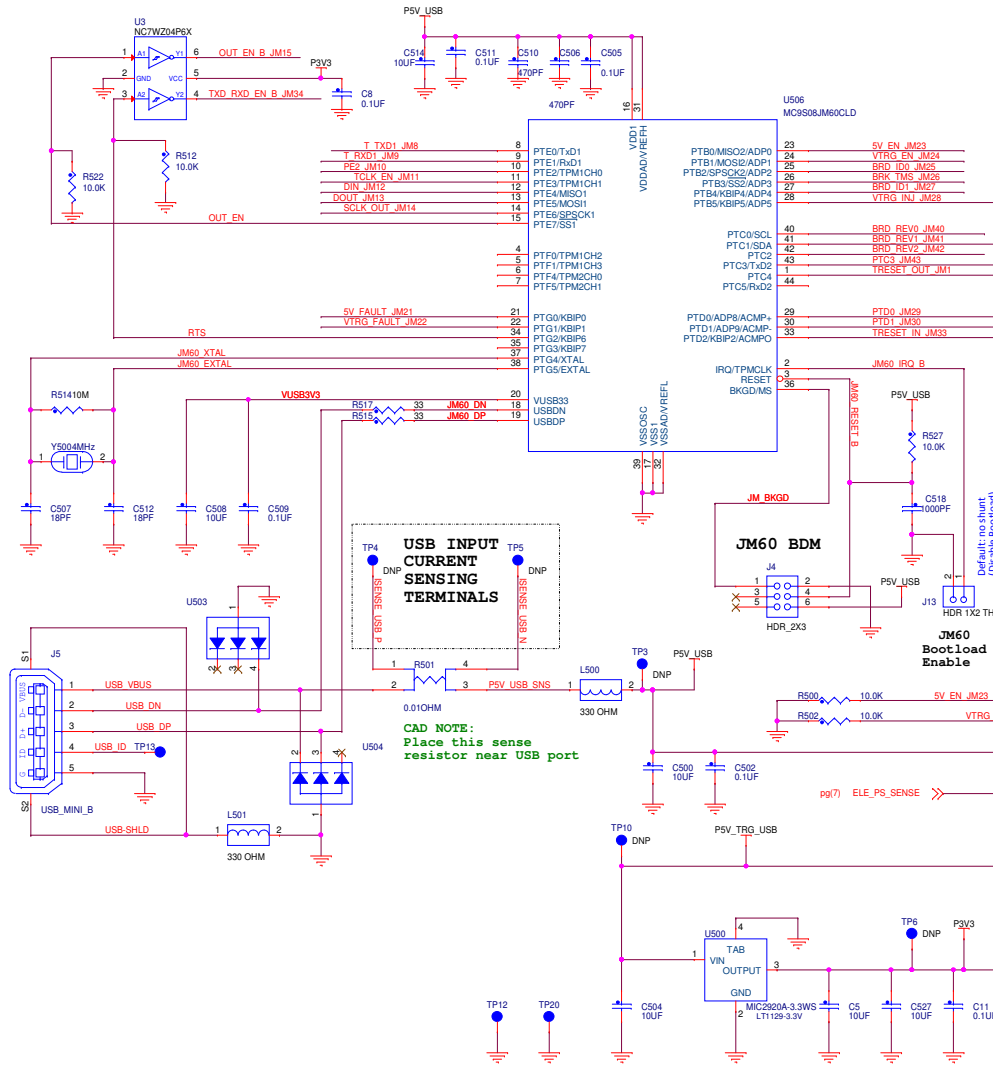
Page Title: **ADC / TWRPI / GPIO / NEXUS**

Size	Document Number	Rev
C	SCH-27308 PDF: SPF-27308	B1

Date: Wednesday, March 14, 2012 Sheet 5 of 8



On Board OSBDM/Serial Bridge



USB INPUT CURRENT SENSING TERMINALS

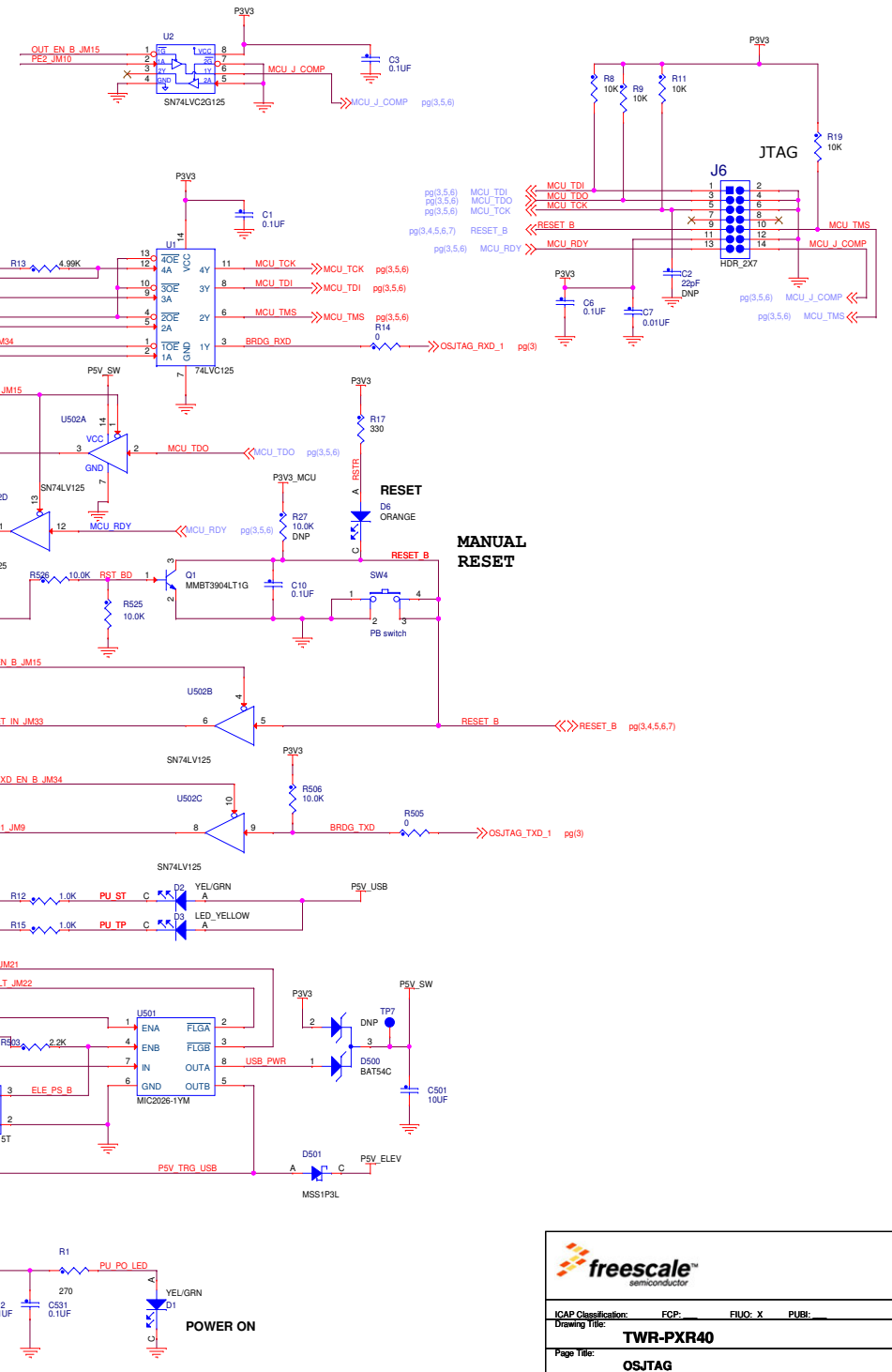
TP4 DNP SENSE_USB_P

TP5 DNP SENSE_USB_N

TP6 DNP SENSE_USB_P

TP7 DNP SENSE_USB_N

CAD NOTE:
Place this sense resistor near USB port



freescale semiconductor

ICAP Classification: FCP: FIUC: X PUB: _____

Drawing Title: **TWR-PXR40**

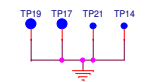
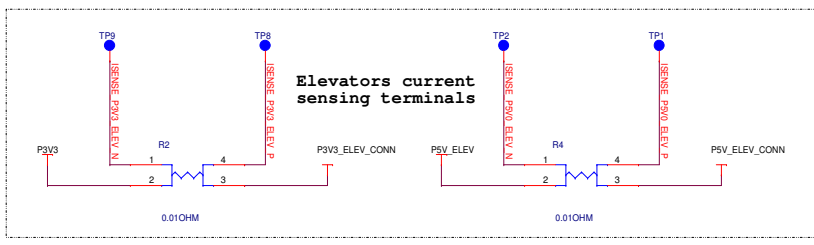
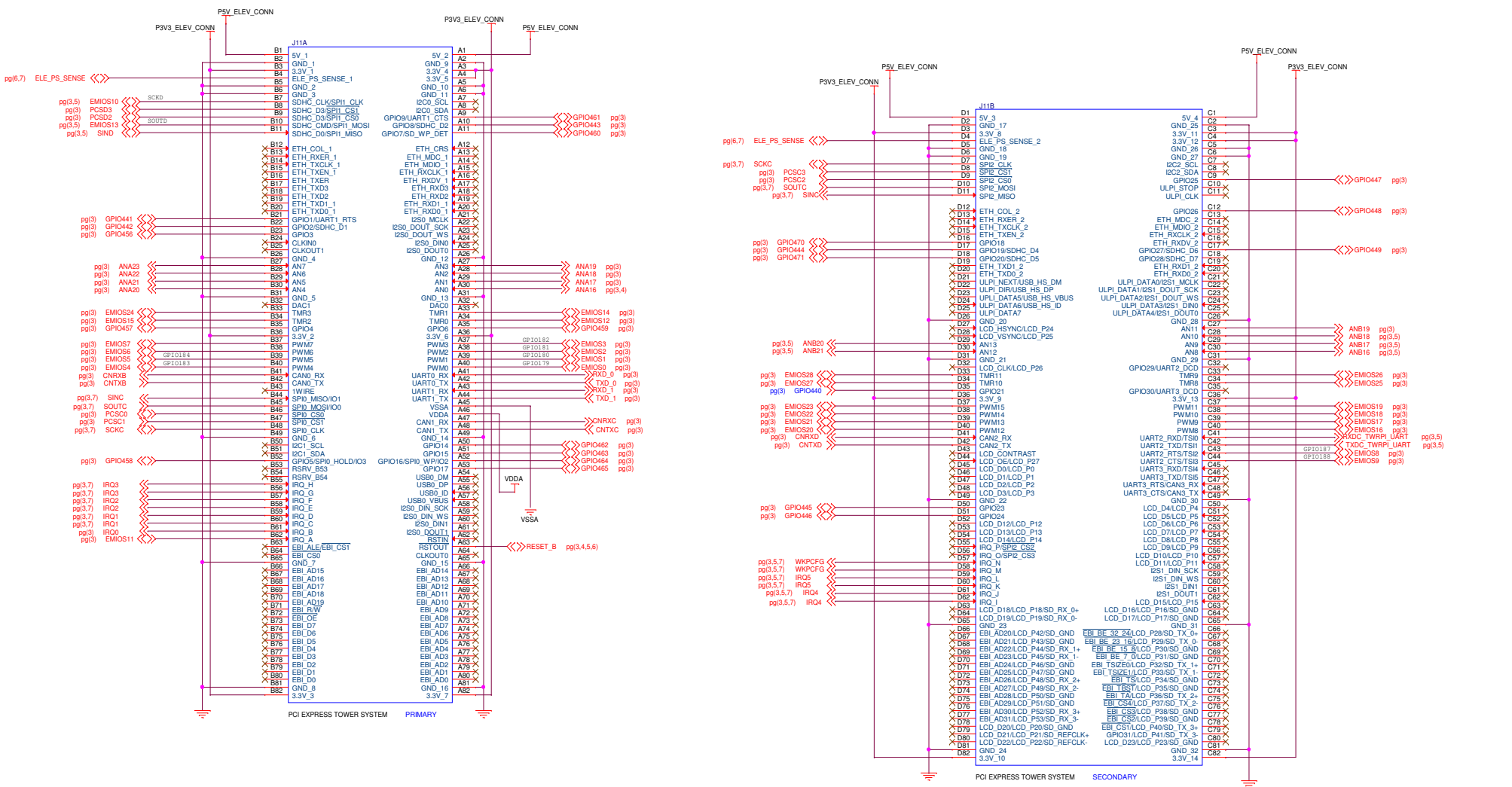
Page Title: **OSJTAG**

Size C	Document Number SCH-27306 PDF: SPF-27306	Rev B1
--------	--	--------

Date: Wednesday, March 14, 2012 Sheet 6 of 8

TOWER ELEVATORS' GOLDFINGERS

- pg(3.5) EMIO5[28..0] <<>
- pg(3) PCSC3..1 <<>
- pg(3.4.8) ANA23..0 <<>



freescale
semiconductor

ICAP Classification: FCP: FIUC: X PUBL: _____
Drawing Title: **TWR-PXR40**

Page Title: **TOWER ELEVATORS**

Size C	Document Number SCH-27306 PDF: SPF-27306	Rev B1
--------	--	--------

Date: Wednesday, March 14, 2012 Sheet 7 of 8

EXPANSION HEADERS A / B

