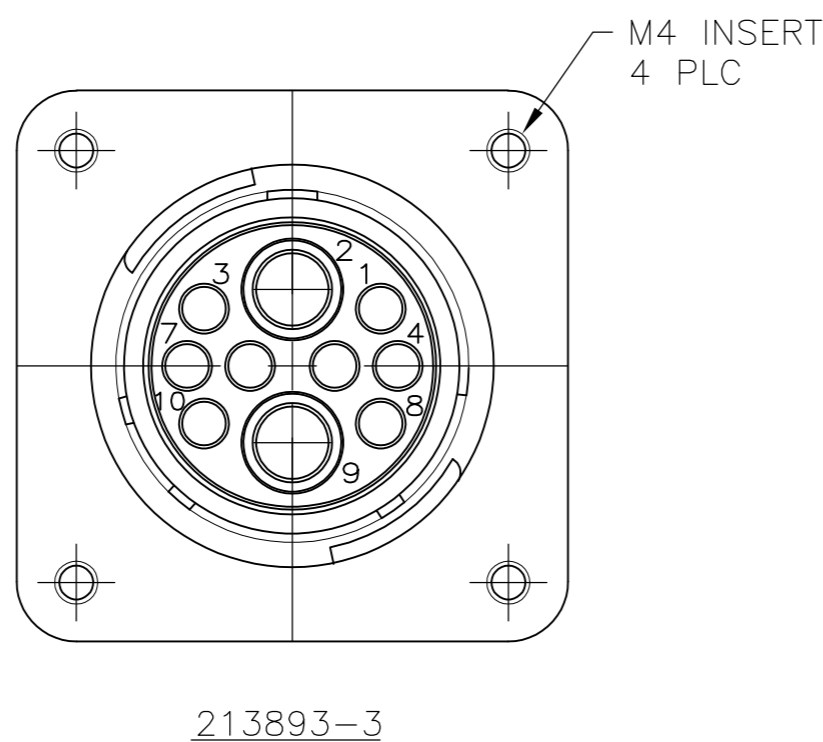
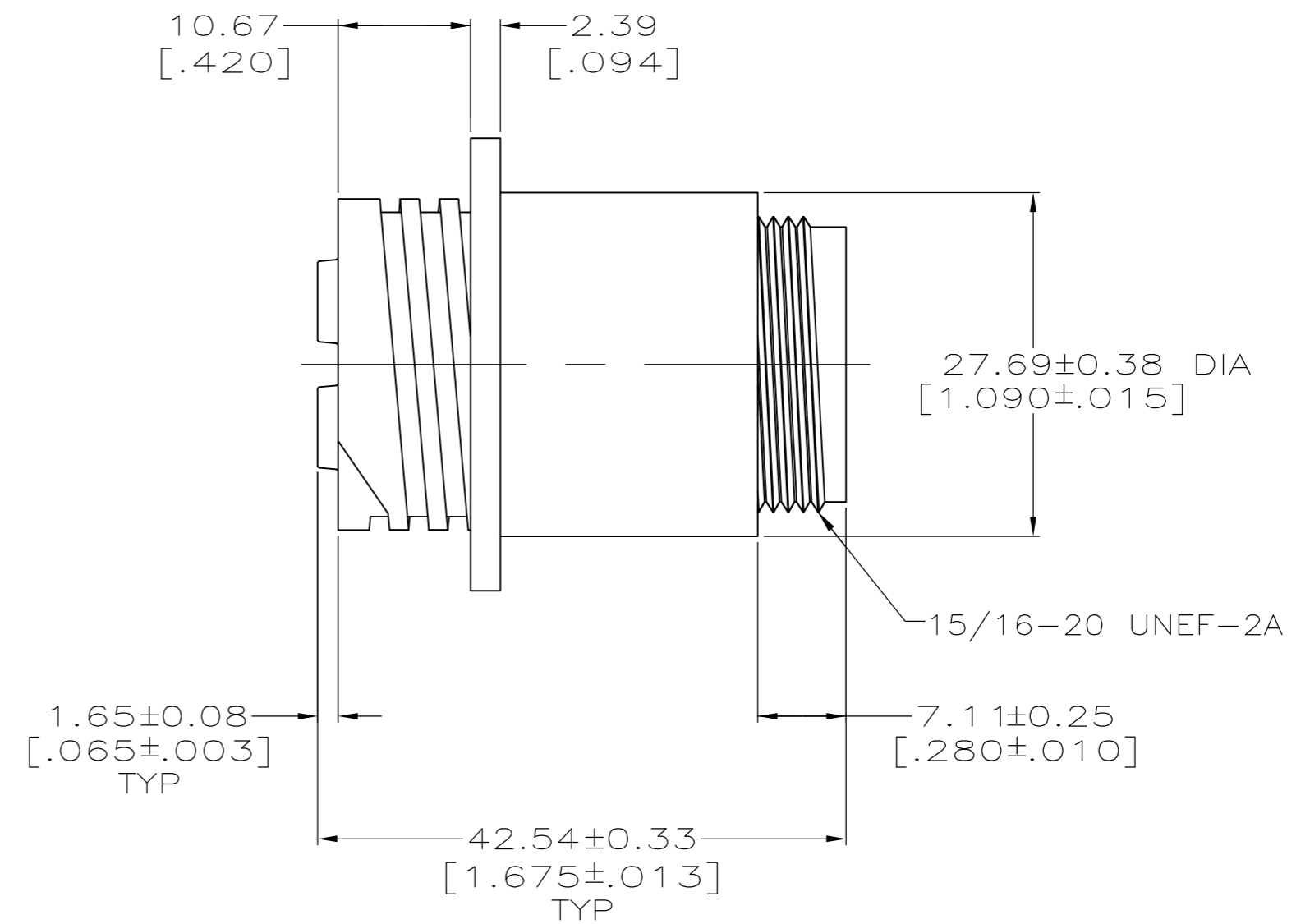
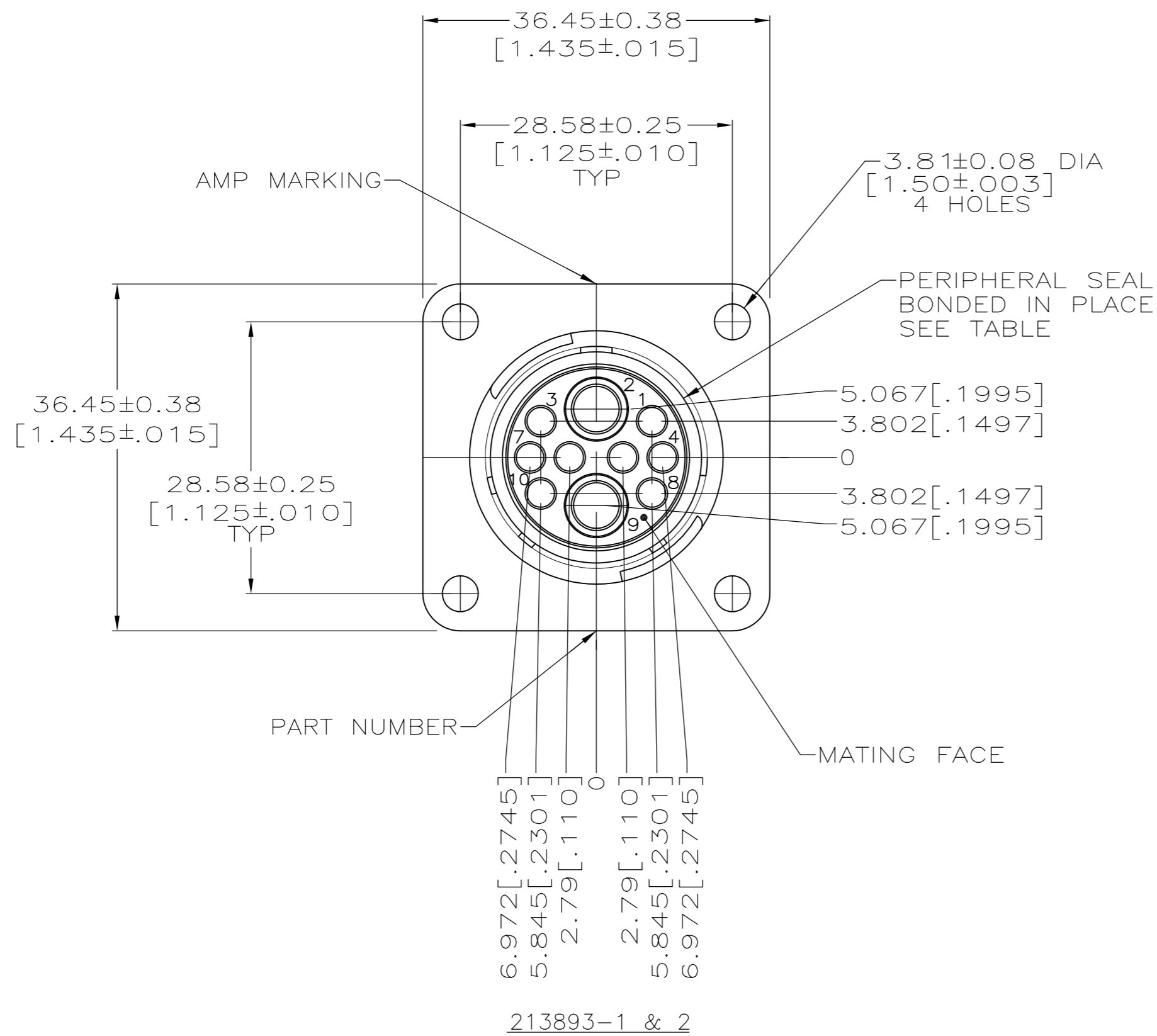


THIS DRAWING IS UNPUBLISHED. RELEASED FOR PUBLICATION  
 © COPYRIGHT - By - ALL RIGHTS RESERVED.

LOC		DIST		REVISIONS			
P	LTR	DESCRIPTION		DATE	DWN	APVD	
FT	0	C2	REVISED PER ECO-11-004820		11MAR11	RK	HMR



1 OBSOLETE PARTS: OBSOLETE CIS STREAMLINING PER D.RENAUD/D.SINISI

1 OBSOLETE	YES	YES	213893-3
	NO	YES	213893-2
	NO	NO	213893-1
	THREADED INSERTS	PERIPHERAL SEAL	PART NUMBER

THIS DRAWING IS A CONTROLLED DOCUMENT.		DWN D.HARDY 06/27/95																
DIMENSIONS: mm		CHK R.STONE 06/29/95																
TOLERANCES UNLESS OTHERWISE SPECIFIED:		APVD A.FRANTUM 06/29/95	NAME RECEPTACLE HOUSING, REVERSE SEX, SERIES 6, 17-10, CIRCULAR PLASTIC CONNECTOR															
<table border="1"> <tr><td>0 PLC</td><td>± -</td></tr> <tr><td>1 PLC</td><td>± -</td></tr> <tr><td>2 PLC</td><td>± 0.13 [.005]</td></tr> <tr><td>3 PLC</td><td>± 0.013 [.0005]</td></tr> <tr><td>4 PLC</td><td>± -</td></tr> <tr><td>ANGLES</td><td>± -</td></tr> <tr><td>FINISH</td><td>-</td></tr> </table>		0 PLC	± -	1 PLC	± -	2 PLC	± 0.13 [.005]	3 PLC	± 0.013 [.0005]	4 PLC	± -	ANGLES	± -	FINISH	-	PRODUCT SPEC 108-1579	SIZE A2	CAGE CODE 00779
0 PLC	± -																	
1 PLC	± -																	
2 PLC	± 0.13 [.005]																	
3 PLC	± 0.013 [.0005]																	
4 PLC	± -																	
ANGLES	± -																	
FINISH	-																	
MATERIAL NYLON, BLACK	WEIGHT -	APPLICATION SPEC -	DRAWING NO C=213893	RESTRICTED TO -														
CUSTOMER DRAWING			SCALE 2:1	SHEET 1 of 1														
			REV C2															