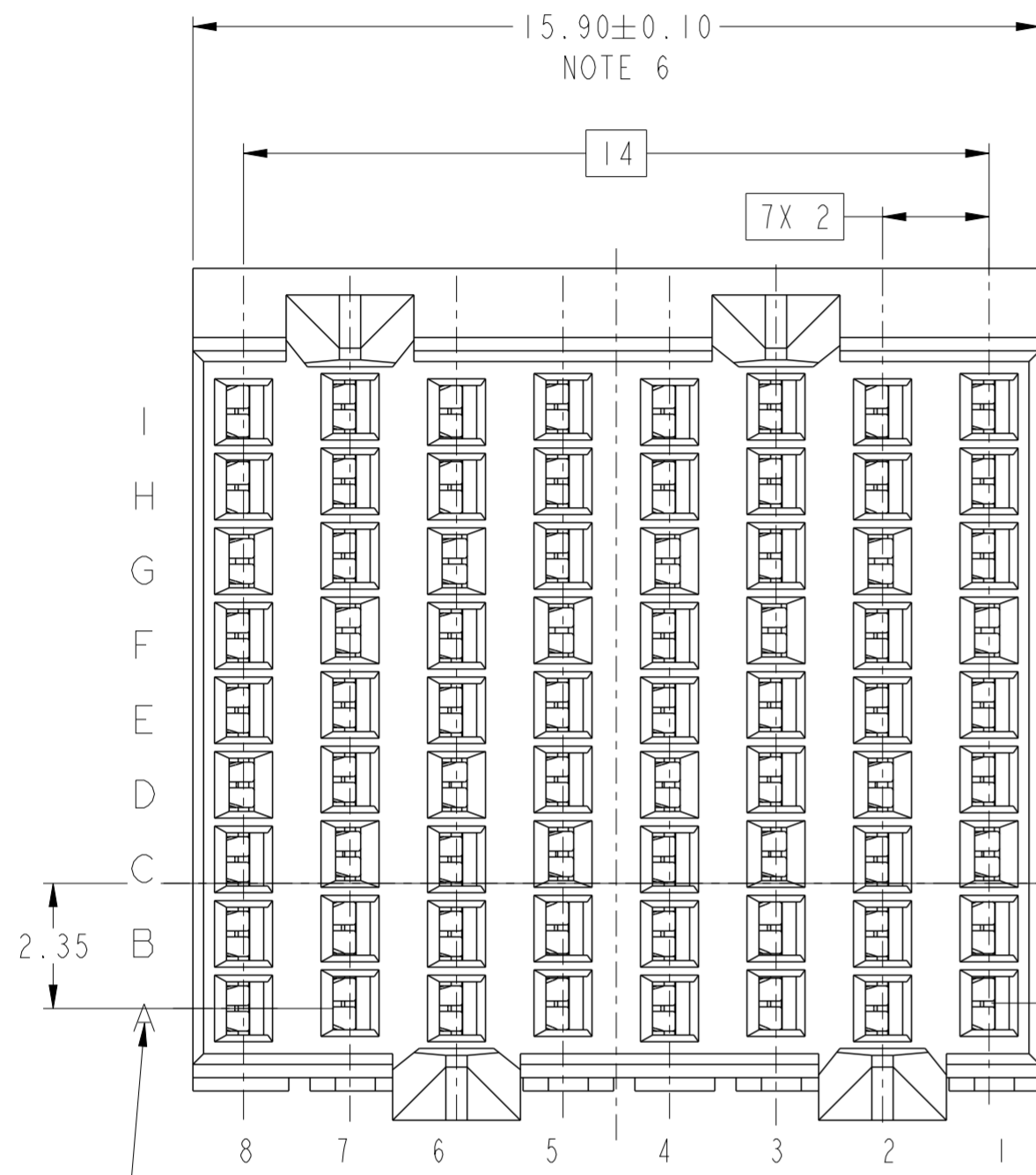


PRODUCT NUMBER
SEE SHEET 3



TOP SURFACE OF DAUGHTER CARD

2.25

2.35

10.50 ϕ OF EVEN COLUMNS
10.60 ϕ OF ODD COLUMNS

1.4

14

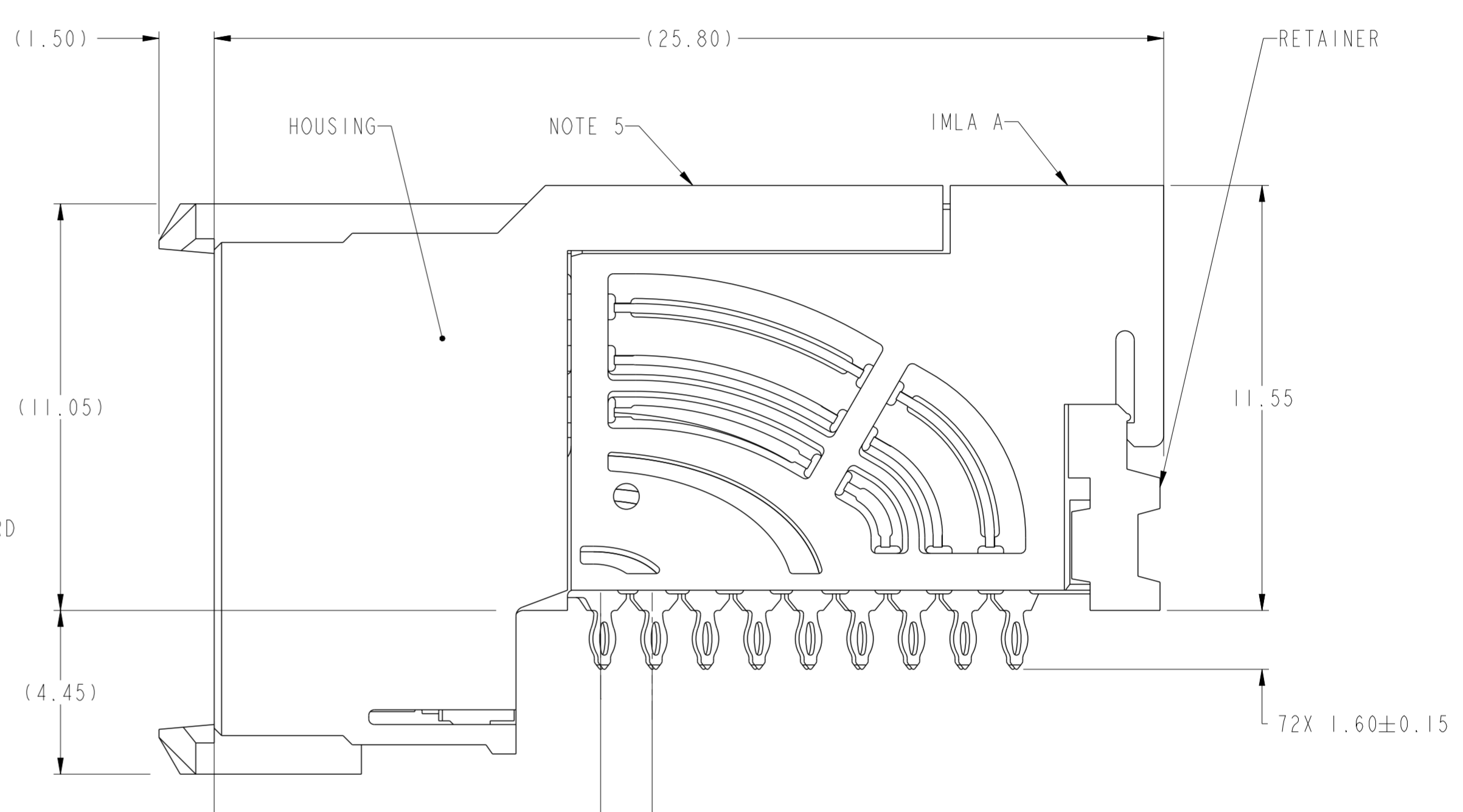
7X 2

15.90 \pm 0.10
NOTE 6

COLUMN ID

EVEN COLUMN, CONTACT ROW ID
ODD AND EVEN COLUMNS ARE OFFSET

ODD COLUMN, CONTACT ROW ID



HOUSING

NOTE 5

IMLA A

RETAINER

11.55

72X 1.60 \pm 0.15

4.45

1.4

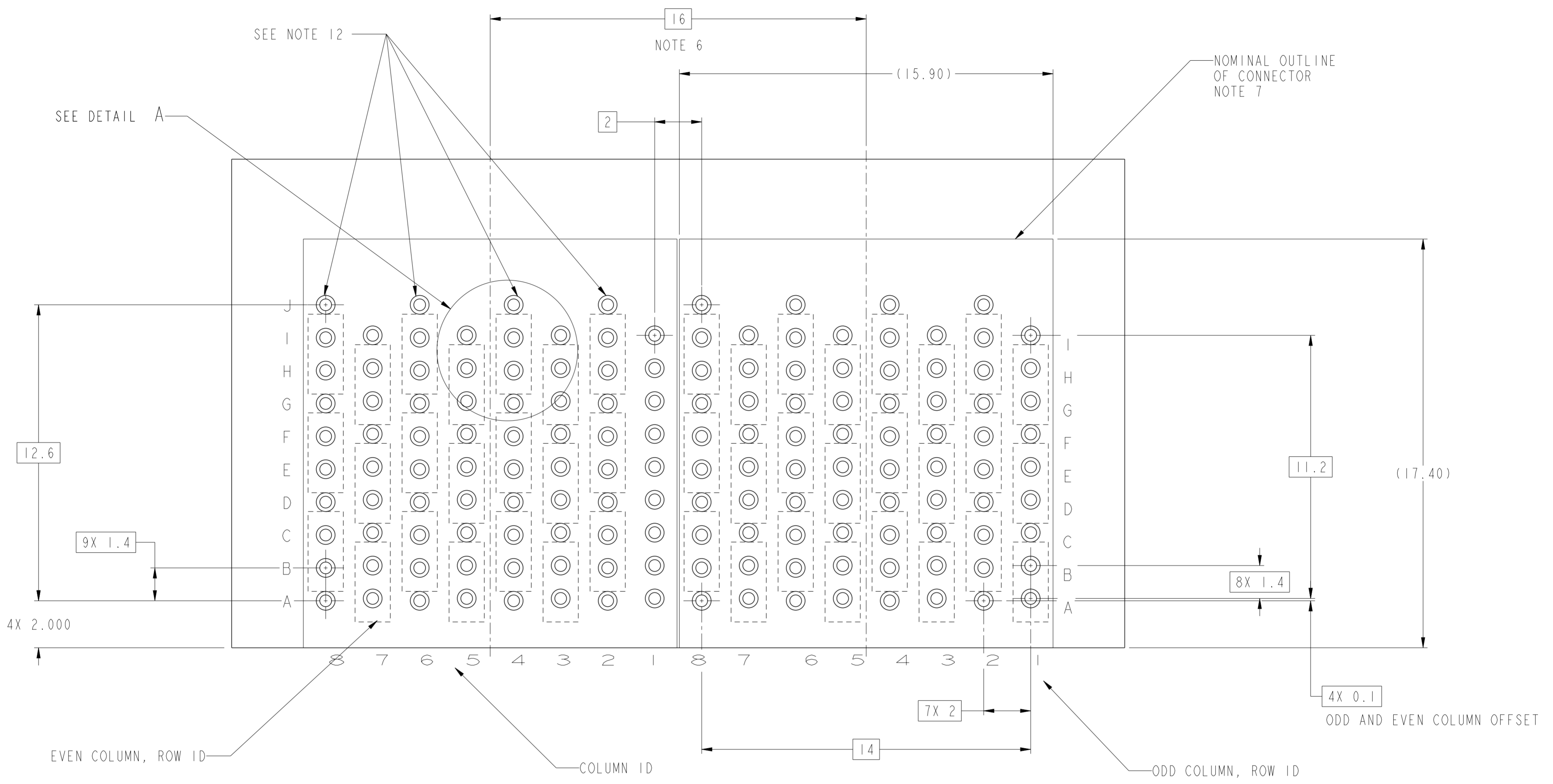
25.80

(1.50)

(11.05)

Copyright FCI.

spec ref	---	dr	Lin-Soe Ngwe	2013/02/20	projection	MM	size	A2	scale	1:1											
tolerance std	ASME Y14.5M	eng	Jeny Ren	2015/02/04			ecn no	ELX-DG-20165-1													
TOLERANCES UNLESS OTHERWISE SPECIFIED		chr					rel level	Released													
surface	<table border="1"> <tr> <td>linear</td> <td>0.X</td> <td>±.3</td> </tr> <tr> <td></td> <td>0.XX</td> <td>±.10</td> </tr> <tr> <td></td> <td>0.XXX</td> <td>±.050</td> </tr> <tr> <td>angular</td> <td>0°</td> <td>±°</td> </tr> </table>	linear	0.X	±.3				0.XX	±.10		0.XXX	±.050	angular	0°	±°	appr	Collins Lu	2015/02/06	product family	AirMax VSE	
linear	0.X	±.3																			
	0.XX	±.10																			
	0.XXX	±.050																			
angular	0°	±°																			
				AIRMAX VS2 R.A. RECEPTACLE ASS'Y, 3 PAIR, 72 POS, 8 IMLA, 16MM		dwg no	10124355		rev	B											
		www.fci.com		cat. no.		Product - Customer Drw		sheet 1 of 3													



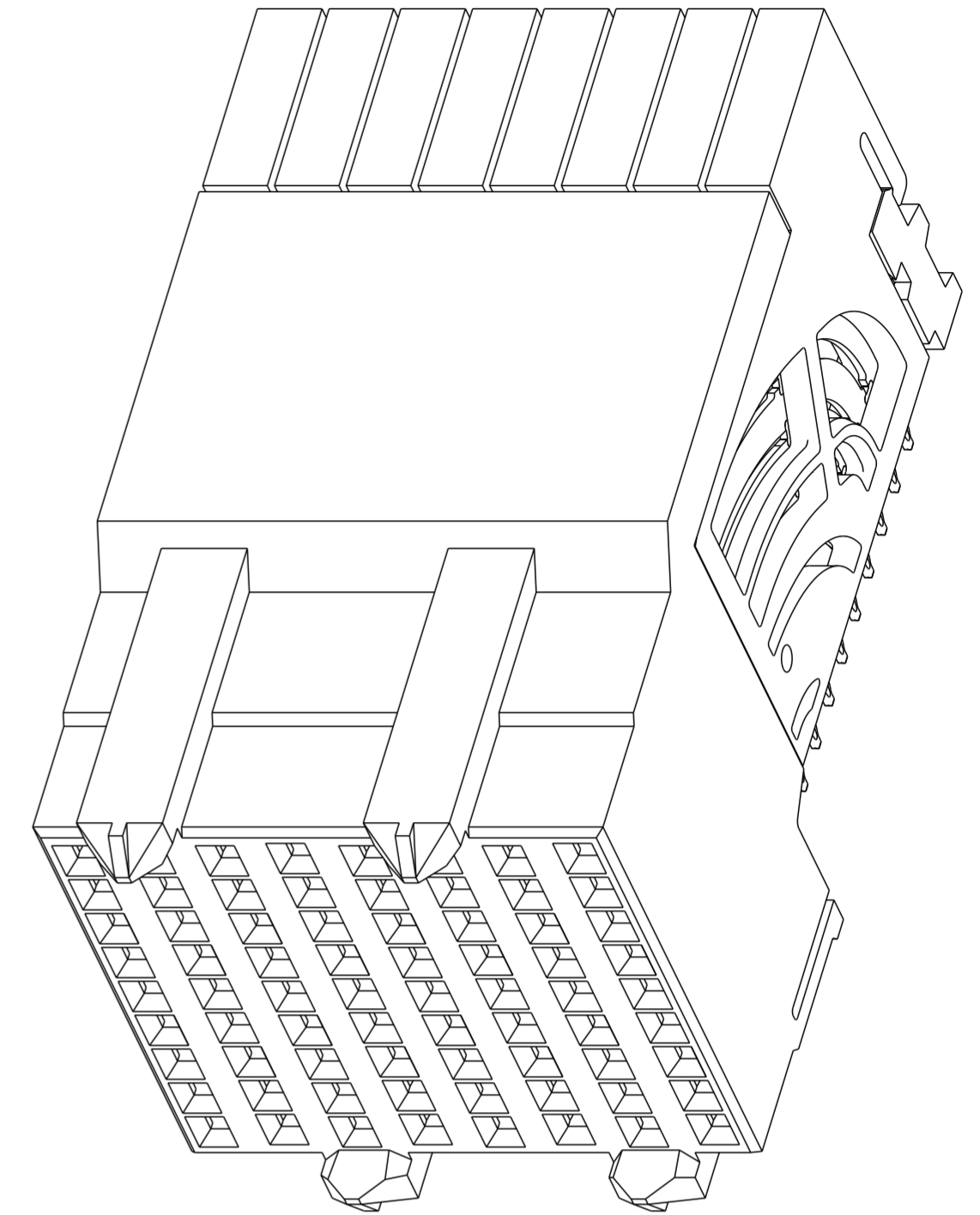
RECOMMENDED PCB LAYOUT
FOR DIFFERENTIAL APPLICATIONS
COMPONENT SIDE
(TWO ADJACENT FOOTPRINTS SHOWN)
NOTES 6, 8, & 11

Copyright FCI.
FCI

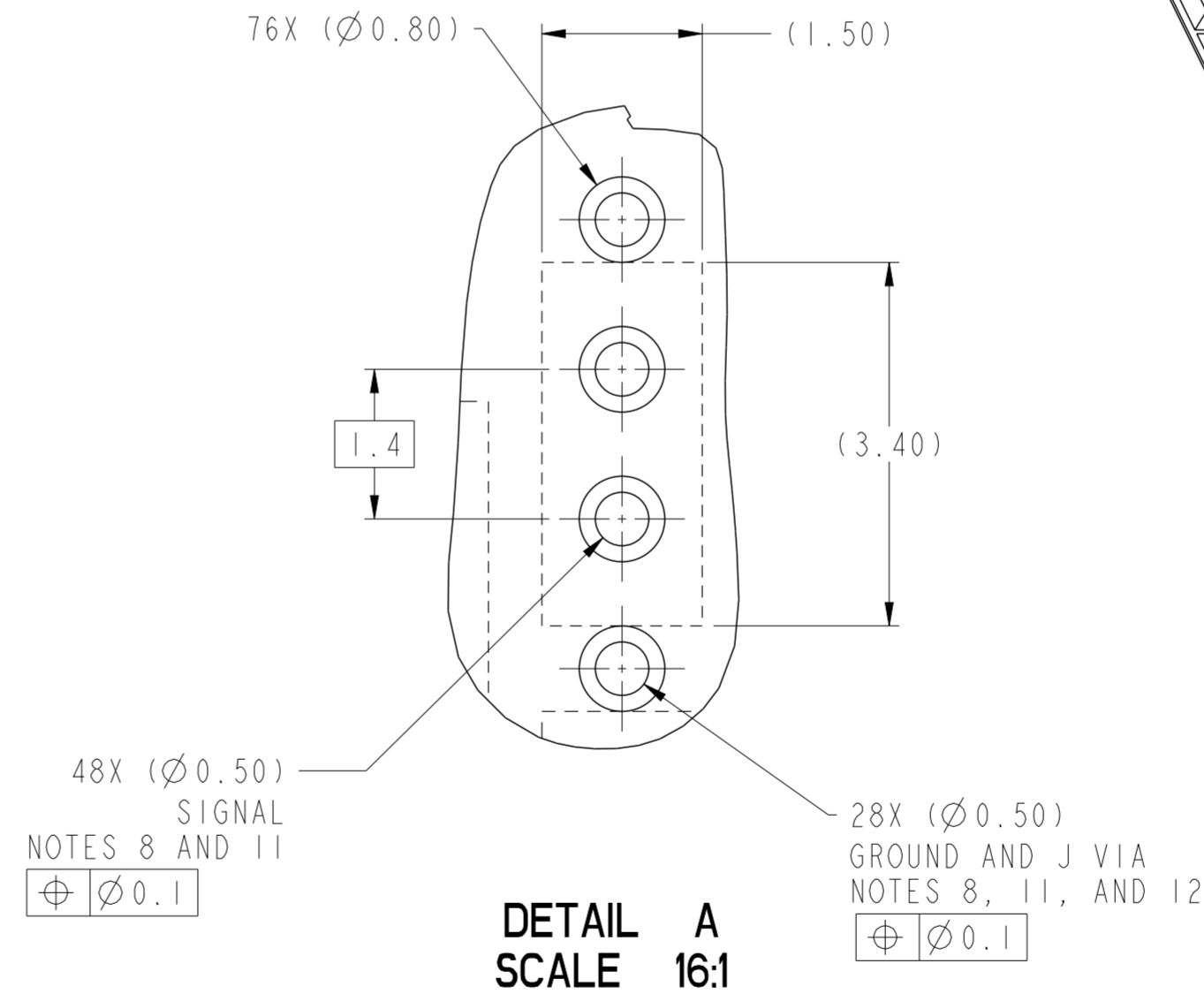
spec ref	---	dr	Lin-Soe Ngwe	2013/02/20	projection	MM	size	A2	scale	1:1
tolerance std	ASME Y14.5M	eng	Jeny Ren	2015/02/04			ecn no	ELX-DG-20165-1		
TOLERANCES UNLESS OTHERWISE SPECIFIED		chr	-	rel level				Released		
surface	✓	appr	Collins Lu	2015/02/06	product family	AirMax VSE	rel level	Blue		
linear	0.X ±.3			AIRMAX VS2 R.A. RECEPTACLE ASS'Y, 3 PAIR, 72 POS, 8 IMLA, 16MM		dwg no 10124355	rev B	sheet 2 of 3		
linear	0.XX ±.10							Product - Customer Drw		
linear	0.XXX ±.050							PDS: Rev :B		
angular	0° ±°	www.fci.com		cat. no.		STATUS:Released		Printed: Feb 06, 2015		

PRODUCT NUMBER	PRESS-FIT TAIL PLATING TYPE
10124355-101	TIN/LEAD ALLOY OVER NICKEL
10124355-101LF	TIN OVER NICKEL (LEAD FREE)

- ① - CONNECTOR MATERIALS:
HOUSING: HIGH TEMP THERMOPLASTIC, NATURAL, UL94-V0
IMLA PLASTIC: HIGH TEMP THERMOPLASTIC, BLACK, UL94-V0
CONTACT: COPPER ALLOY
ORGANIZER: HIGH TEMP THERMOPLASTIC, WHITE, UL94-V0
- 2 - CONTACT PLATING:
SEPARABLE INTERFACE:
PERFORMANCE-BASED PLATING, QUALIFIED TO MEET THE REQUIREMENTS OF FCI PRODUCT SPECIFICATION GS-12-0956 INCLUDING TELCORDIA GR-1217-CORE (NOVEMBER 1995) CENTRAL OFFICE TEST SEQUENCE
- PRESS-FIT TAILS: SEE TABLE
- 3 - PRODUCT SPECIFICATION: GS-12-0956
- 4 - APPLICATION SPECIFICATION: GS-20-0305.
- ⑤ - PRODUCT MARKING, (PART NUMBER & LOT CODE), ON THIS SURFACE.
- ⑥ - THE MINIMUM CENTERLINE SPACING BETWEEN ADJACENT MODULES IS 16.0 MM.
- ⑦ - CONNECTOR OUTLINE MAY BE SCREEN PRINTED ONTO CUSTOMER PCB TO BE USED AS A GUIDE FOR MANUAL CONNECTOR PLACEMENT.
- ⑧ - REFER TO CUSTOMER DRAWING 10104444 FOR INFORMATION ON PCB HOLE DIAMETERS AND PLATING OPTIONS
- 9 - LEAD FREE PRODUCT MEETS THE EUROPEAN UNION DIRECTIVES & OTHER COUNTRY REGULATIONS AS DESCRIBED IN GS-22-008
- 10 - PACKAGING MEETS GS-14-920 LEAD FREE LABELING SPECIFICATION.
- ⑪ - GROUND CONTACTS (C,F, AND I IN ODD COLUMNS AND A, D, AND G, EVEN COLUMNS) REQUIRE (Ø0.500) FINISHED HOLES. SIGNAL LOCATIONS REQUIRE (Ø0.500) FINISHED HOLES.
- ⑫ - THESE OUTER VIAS (J) ARE OPTIONAL. WHILE NO CONNECTOR EONS ARE PRESSED INTO THESE HOLES WE RECCOMEND (Ø0.500) FINISHED HOLES AT THESE LOCATIONS TO PROVIDE GROUND SYMMETRY THROUGH THE PCB.
- 13 - A \triangle SYMBOL WILL BE NEXT TO ANY DIMENSION, VIEW OR NOTE, WHICH HAS BEEN MODIFIED WITH THE CURRENT DRAWING REVISION.



10124355-101 OR -101LF



spec ref	---	dr	Lin-Soe Ngwe	2013/02/20	projection	MM	size	A2	scale	4:1
tolerance std	ASME Y14.5M	eng	Jeny Ren	2015/02/04			ecn no	ELX-DG-20165-1		
TOLERANCES UNLESS OTHERWISE SPECIFIED		chr	-	appr			Collins Lu	2015/02/06	product family	rel level
surface		linear	0.X	±.3		AIRMAX VS2 R.A. RECEPTACLE ASS'Y, 3 PAIR, 72 POS, 8 IMLA, 16MM	dwg no 10124355	rev B	Product - Customer Drw	
			0.XX	±.10					sheet 3 of 3	
			0.XXX	±.050						
		angular	0°	±°	www.fci.com	cat. no.	Product - Customer Drw		sheet 3 of 3	