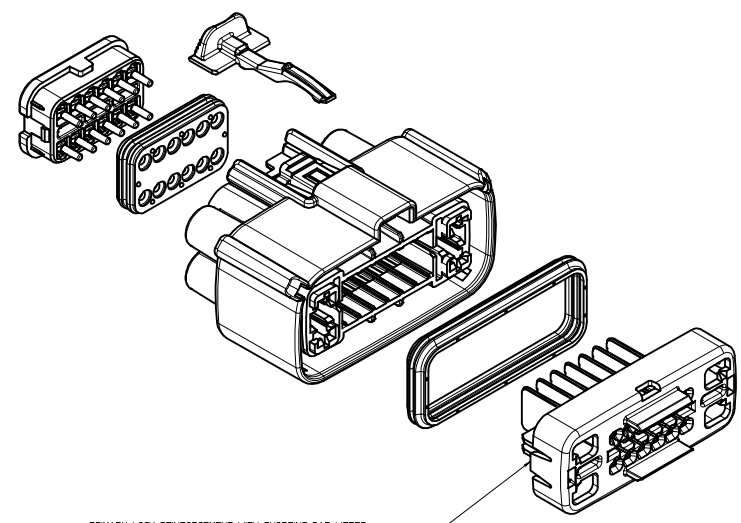
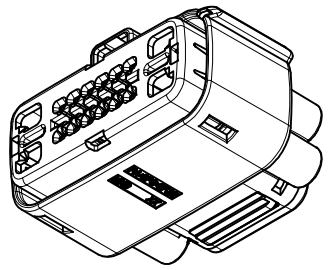


MX150 16 WAY HYBRID RECPT HRN CONN - STANDARD (STD)



MX150 16 WAY HYBRID RECPT HRN CONN - SHORTING (SHRT) BAR
UNLESS COMPONENT NOTED, SEE STANDARD ASSEMBLY

TABLE OF CONTENTS	
SHEET NO.	SHEET DESCRIPTION
1	NOTES
2	KEY CONFIGURATIONS
3	RECEPTACLE SEALED ASSEMBLY
4-7	BOM

NOTES: VALID UNLESS OTHERWISE SPECIFIED

1. GENERAL:
 - a. APPLICATION SPECIFICATION SEE: AS-33472-100
CONTAINS: PRODUCT INTRODUCTION, PRODUCT SUMMARY, CONNECTOR ASSEMBLY, PACKAGING INFORMATION, CONNECTOR MATING, SERVICE INSTRUCTIONS, ELECTRICAL CONTINUITY CHECKING, CRIMPING, AND TROUBLESHOOTING.
-STANDARD (NON-SHRT) CONFIGURATIONS DESIGNED TO MATE WITH DEVICE CONNECTION AS SPECIFIED IN DRAWING EWCAP 999-S-016-2-202. AVAILABLE AT <http://www.molex.com/connector>
-STANDARD (NON-SHRT) CONFIGURATIONS AND SHORTING BAR CONFIGURATIONS DESIGNED TO MATE WITH BLADE HOUSING ASSEMBLY SPECIFIED IN DRAWING SD-33486-161.
-FOR 15mm RECEPTACLE TERMINALS TO BE USED WITH THIS ASSEMBLY. SEE MOLEX DRAWING SD-33012-002.
-15mm TERMINALS TO BE USED WITH WIRE WITH DIAMETER RANGE OF 1.4mm TO 2.69mm.
-FOR 2.8mm RECEPTACLE TERMINALS TO BE USED WITH THIS ASSEMBLY SEE TABLE.
-2.8mm TERMINALS TO BE USED WITH WIRE WITH DIAMETER RANGE OF 1.50mm TO 3.30mm.
-ASSEMBLY SHIPPED WITH PLR AND CPA IN PRE-LOCK POSITION (SEE SECTION 2-2 PRE-LOCK).
IN THE EVENT THAT THE PLR IS FOUND IN THE SEATED (FINAL LOCK) POSITION, REFER TO MOLEX SPECIFICATION PS-34646-001. AVAILABLE AT www.molex.com <http://www.molex.com>.
-ASSEMBLY CONFORMS TO SAE/USCAR-2 REV.4 WITH THE FOLLOWING EXCEPTIONS:
ENGAGEMENT FORCE TO MOVE CPA FROM PRE-LOCK TO FINAL LOCK POSITION WHEN UNMATED: 40N MIN.
DISENGAGEMENT FORCE TO MOVE CPA FROM FINAL LOCK TO PRE-LOCK POSITION: 3N MIN. 40N MAX.
-TERMINAL INSERTION FORCE FOR WIRE DIAMETER ABOVE 2.5mm NOT EXCEEDING 2.69mm SHALL NOT EXCEED 40 NEWTONS.
 - b. PRODUCT SPECIFICATION SEE: PS-33476-000
CONTAINS: PRODUCT INTRODUCTION, PRODUCT SUMMARY, RATINGS (CURRENT, TEMPERATURE, SEALING, AND FLAMMABILITY), AND PRODUCT VALIDATION.
 - c. PACKAGING SPECIFICATION PER MOLEX DRAWING: PK-30907-895
 - d. PARTS MUST BE IN COMPLIANCE TO MOLEX CHEMICAL SUBSTANCES FOR PRODUCTS SPECIFICATION: ES-40000-5016
 - e. DATA MUST BE SUBMITTED UNDER THE MOLEX PART NUMBER TO IMDS (COMPANY ID:13259)
 - f. FOR INFORMATION ON 16 WAY HYBRID RECEPT HRN ASSY WITH CLIPSLOT SEE E-33476-181

2. DESIGN - MATERIALS:
 - a. SEE BOM TABLE
3. DESIGN - GEOMETRY:
 - a. THIS IS A 100% CAD GENERATED PART. THE CAD MATHEMATICAL DATA IS THE MASTER FOR THIS PART. FOR DIMENSIONAL OR ANY INFORMATION NOT SHOWN ON THIS DRAWING, ANALYZE THE CAD MODEL.
 - b. GEOMETRIC DIMENSIONS AND TOLERANCES PER ASME Y14.5M - 1994
 - c. EDGES AND UNDIMENSIONED DETAILS PER ISO13715
 - d. CORNERS SHOWN AS SHARP TO BE R 0.2 MAX.
 - e. LETTERING SHALL BE 0.15 MAX RAISED IN 0.25 MAX RECESS PAD. THIS INCLUDES RECYCLING CODE, CAVITY ID, VENDOR IDENTIFICATION, AND CUSTOMER MATERIAL NUMBER.
 - f. VISUAL DEFECTS SHALL MEET COSMETIC STANDARD PS-45499-002 (Class B)
 - g. LASER MARKING: TBD

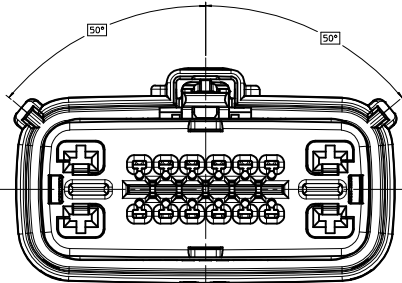
TYCO 2.8mm CABLE SEAL TERMINAL		
FORD P/N	FEMALE RECEPTACLE	GRIP SIZE
IFIT-14474-KA		12
IFIT-14474-JA		14
IFIT-14474-HA		16
IFIT-14474-GA		18
IFIT-14474-FA		20
IFIT-14474-EA		22

INSPECTION NUMBER LOG
LAST NUMBER USED:
ADDED:
REMOVED:

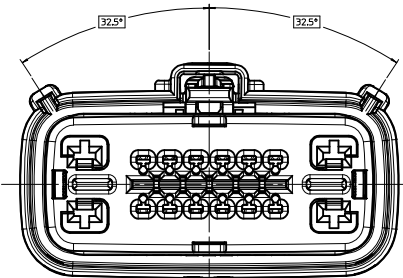
BX	UPDATED TO PLANNED OBSOLESCENCE
BW	ADD NEW P/N 33476-4043 THRU 33476-4046
BV10	ADD NEW P/N 33476-4042
BV9	ADD NEW P/N 33476-4041
BV8	ADD NEW P/N 33476-4037 33476-4038 33476-4039 33476-4040
BV7	ADDED NEW P/N 33476-4023 33476-4024 33476-4025 33476-4026 33476-4027 33476-4028 33476-4029 33476-4030 33476-4031 33476-4032 33476-4033 33476-4034 33476-4035 33476-4036
BV6	ADD NEW P/N 33476-4022
BV5	ADD NEW P/N 33476-4016 33476-4017 33476-4018 33476-4019 33476-4020 33476-4021
BV4	ADD NEW P/N 33476-4014 33476-4015
BV3	ADD NEW P/N 33476-4012 33476-4013
BV2	ADD NEW P/N 33476-4011
BV1	CHANGE PART NUMBER STATUS ADD NEW P/N 33476-4009 33476-4010 ADD NEW P/N 33476-4006 33476-4007
BV	33476-4008
REV	DESCRIPTION

ENTER DESCRIPTION EC NO: JAU2016-0550 DRAWING P/N: 2015/0174 APPROVED: 2015/0178 REV: BX	QUALITY SYMBOLS $\nabla=0$ $\nabla=0$ $\nabla=0$ $\nabla=0$	GENERAL TOLERANCES (UNLESS SPECIFIED) mm INCH 4 PLACES ± 0.1 ± 0.004 3 PLACES ± 0.15 ± 0.006 2 PLACES ± 0.2 ± 0.008 1 PLACE ± 0.3 ± 0.010 0 PLACE ± 0.5 ± 0.015 ANGULAR ± 3° DRAFT WHERE APPLICABLE MUST REMAIN WITHIN DIMENSIONS	DIMENSION STYLE MM ONLY DRAWN BY: DATE X CUNNINGHAM 2011/10/27 CHECKED BY: DATE APPROVED BY: DATE	SCALE 3:1 DESIGN UNITS METRIC THIRD ANGLE PROJECTION	TITLE MX150 16 WAY HYBRID RECPT SEALED ASSEMBLY	MATERIAL NO. SEE BOM DOCUMENT NO. SD-33476-161 SHEET NO. OF 8
	molex					
	THIS DRAWING CONTAINS INFORMATION THAT IS PROPRIETARY TO MOLEX INCORPORATED AND SHOULD NOT BE USED WITHOUT WRITTEN PERMISSION					
	Ibm: frame_E_P_AM_T Rev. G 2012/01/11					

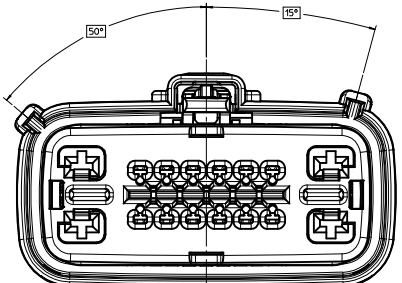
KEY CONFIGURATIONS



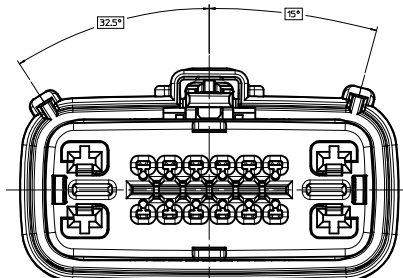
KEY A



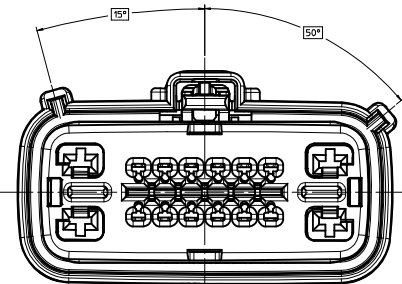
KEY E



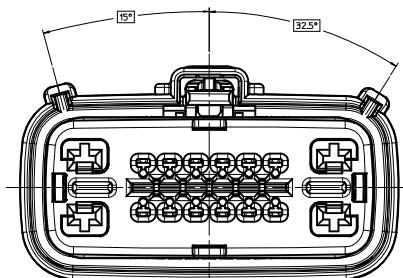
KEY B



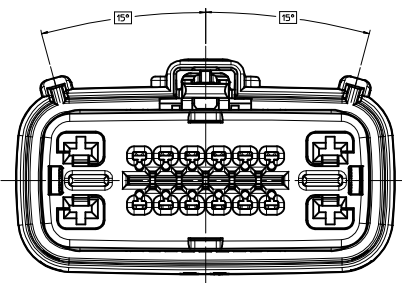
KEY F



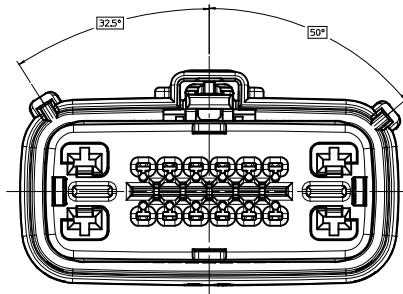
KEY C



KEY G



KEY D

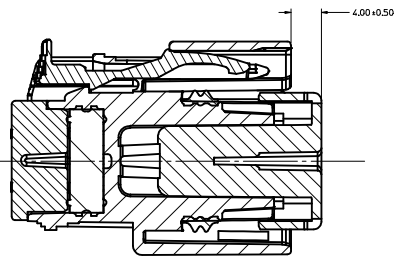
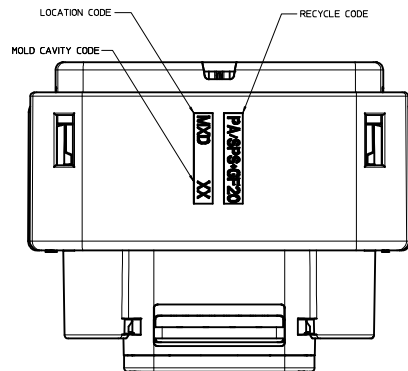
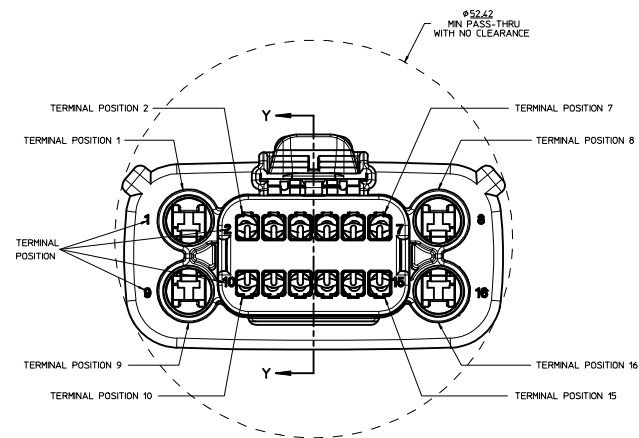
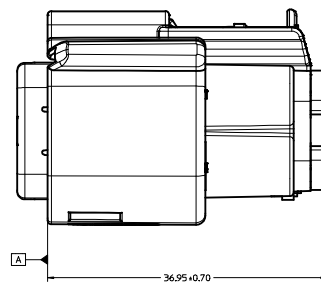
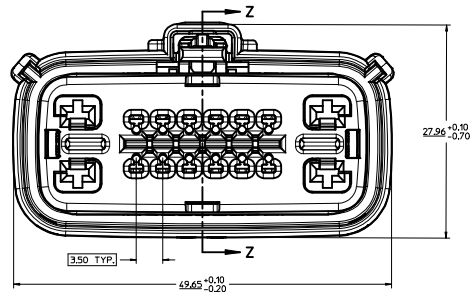
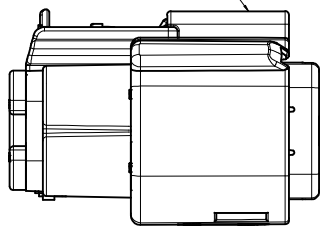


KEY H

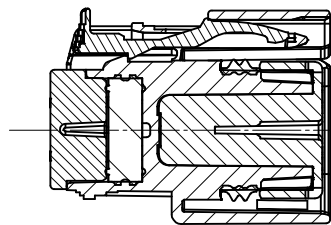
ENTER DESCRIPTION EC NO. UAU2016-0550 DRAWN BY: J. DUNN DATE: 2015/10/27 CHECKED BY: J. DUNN DATE: 2015/10/27 APPROVED BY: J. DUNN DATE: 2015/10/27 REV: BX	QUALITY SYMBOLS ∇=0 ∇=0 ∇=0	GENERAL TOLERANCES (UNLESS SPECIFIED) <table border="1"> <thead> <tr> <th></th> <th>mm</th> <th>INCH</th> </tr> </thead> <tbody> <tr> <td>4 PLACES</td> <td>± .005</td> <td>± .0005</td> </tr> <tr> <td>3 PLACES</td> <td>± .005</td> <td>± .0005</td> </tr> <tr> <td>2 PLACES</td> <td>± .01</td> <td>± .0005</td> </tr> <tr> <td>1 PLACE</td> <td>± .03</td> <td>± .0005</td> </tr> <tr> <td>0 PLACE</td> <td>± .05</td> <td>± .0005</td> </tr> </tbody> </table> ANGULAR ± 3° DRAFT WHERE APPLICABLE MUST REMAIN WITHIN DIMENSIONS		mm	INCH	4 PLACES	± .005	± .0005	3 PLACES	± .005	± .0005	2 PLACES	± .01	± .0005	1 PLACE	± .03	± .0005	0 PLACE	± .05	± .0005	DIMENSION STYLE MM ONLY DRAWN BY: KCUNNINGHAM DATE: 2011/10/27 CHECKED BY: DATE: APPROVED BY: DATE:	SCALE: 3:1 DESIGN UNITS: METRIC THIRD ANGLE PROJECTION TITLE: MX150 16 WAY HYBRID RECPCT SEALED ASSEMBLY	MATERIAL NO.: SEE BOM DOCUMENT NO.: SD-33476-161 SHEET NO.: 2 OF 8
		mm	INCH																				
	4 PLACES	± .005	± .0005																				
	3 PLACES	± .005	± .0005																				
2 PLACES	± .01	± .0005																					
1 PLACE	± .03	± .0005																					
0 PLACE	± .05	± .0005																					
THIS DRAWING CONTAINS INFORMATION THAT IS PROPRIETARY TO MOLEX INCORPORATED AND SHOULD NOT BE USED WITHOUT WRITTEN PERMISSION																							
molex																							
THIS DRAWING CONTAINS INFORMATION THAT IS PROPRIETARY TO MOLEX INCORPORATED AND SHOULD NOT BE USED WITHOUT WRITTEN PERMISSION																							

RCPT. HRN. CONN.

OPTIONAL LASER MARKING ON THIS SURFACE
SEE NOTE 3g.

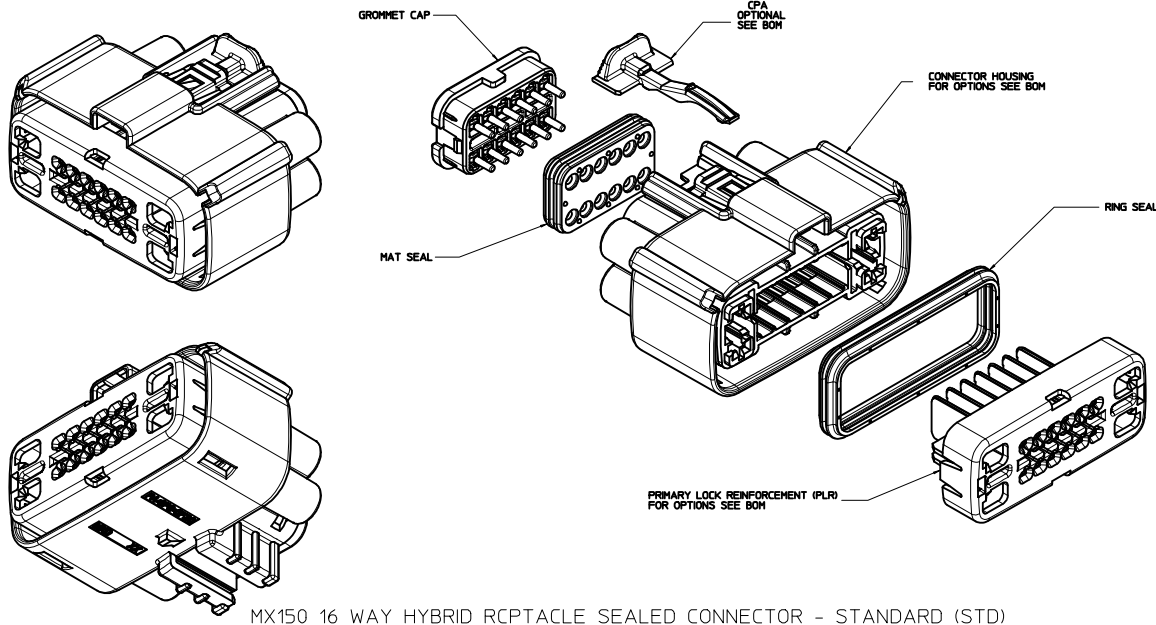


PRIMARY LOCK REINFORCEMENT (PLR) SHOWN
IN PRE-STAGED POSITION
SECTION Z-Z

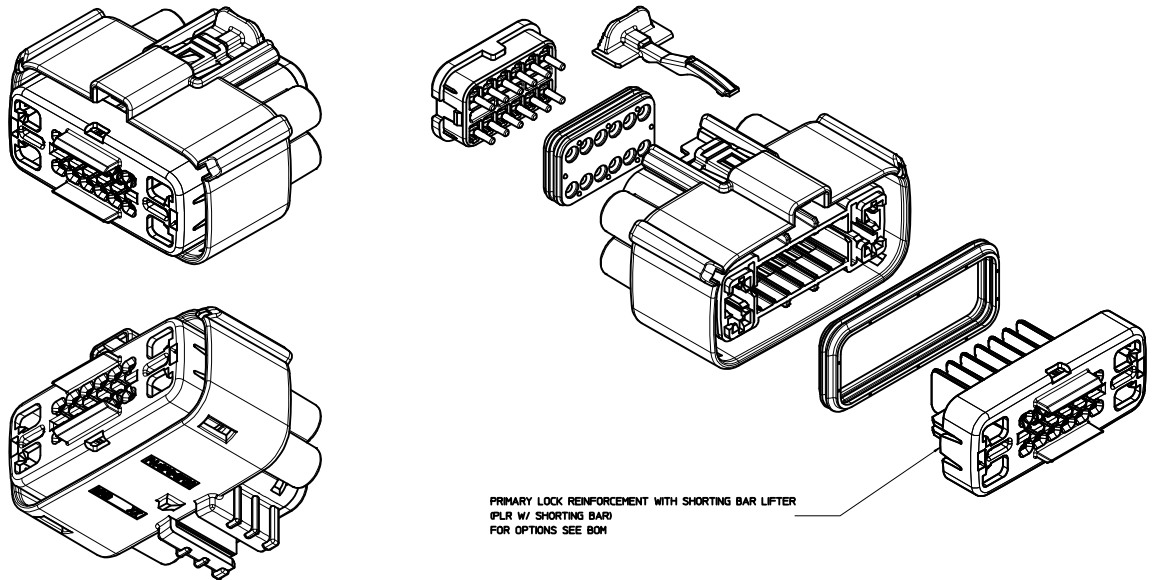


PRIMARY LOCK REINFORCEMENT (PLR) SHOWN
IN FINAL-LOCK POSITION
SECTION Y-Y

ENTER DESCRIPTION EC. NO. 0A02016-0550 DRAWING TITLE 2015/10/27 0 PASSEGGI APPROVED BY 2015/10/27 APPROVED BY 2015/10/27 REV.	QUALITY SYMBOLS ∇=0 ∇=0 ∇=0	GENERAL TOLERANCES (UNLESS SPECIFIED) <table border="1"> <thead> <tr> <th></th> <th>mm</th> <th>INCH</th> </tr> </thead> <tbody> <tr> <td>4 PLACES ±</td> <td>---</td> <td>---</td> </tr> <tr> <td>3 PLACES ±</td> <td>---</td> <td>---</td> </tr> <tr> <td>2 PLACES ±</td> <td>0.1</td> <td>---</td> </tr> <tr> <td>1 PLACE ±</td> <td>0.3</td> <td>---</td> </tr> <tr> <td>0 PLACE ±</td> <td>---</td> <td>---</td> </tr> </tbody> </table> ANGULAR ± 3 ° DRAFT WHERE APPLICABLE MUST REMAIN WITHIN DIMENSIONS		mm	INCH	4 PLACES ±	---	---	3 PLACES ±	---	---	2 PLACES ±	0.1	---	1 PLACE ±	0.3	---	0 PLACE ±	---	---	DIMENSION STYLE MM ONLY DRAWN BY DATE KCUNNINGHAM 2011/10/27 CHECKED BY DATE APPROVED BY DATE	SCALE 4:1 DESIGN UNITS METRIC THIRD ANGLE PROJECTION	TITLE MX150 16 WAY HYBRID RCPT SEALED ASSEMBLY
		mm	INCH																				
	4 PLACES ±	---	---																				
	3 PLACES ±	---	---																				
2 PLACES ±	0.1	---																					
1 PLACE ±	0.3	---																					
0 PLACE ±	---	---																					
MATERIAL NO. SEE BOM	DOCUMENT NO. SD-33476-161	SHEET NO. 3 OF 8	molex THIS DRAWING CONTAINS INFORMATION THAT IS PROPRIETARY TO MOLEX INCORPORATED AND SHOULD NOT BE USED WITHOUT WRITTEN PERMISSION																				



MX150 16 WAY HYBRID RCPTACLE SEALED CONNECTOR - STANDARD (STD)



MX150 16 WAY HYBRID RCPTACLE SEALED CONNECTOR - SHORTING (SHRT) BAR
UNLESS COMPONENT NOTED, SEE STANDARD ASSEMBLY

TABLE OF CONTENTS	
SHEET NO.	SHEET DESCRIPTION
1	NOTES
2	KEY CONFIGURATIONS
3	RECEPTACLE SEALED ASSEMBLY
4-6	BOM

NOTES: VALID UNLESS OTHERWISE SPECIFIED

1. GENERAL:

- a. APPLICATION SPECIFICATION SEE: AS-33472-100
 - CONTAINS: PRODUCT INTRODUCTION, PRODUCT SUMMARY, CONNECTOR ASSEMBLY, PACKAGING INFORMATION, CONNECTOR MATING, SERVICE INSTRUCTIONS, ELECTRICAL CONTINUITY CHECKING, CRIMPING, AND TROUBLESHOOTING.
 - STANDARD (NON-SHRT) CONFIGURATIONS DESIGNED TO MATE WITH DEVICE CONNECTION AS SPECIFIED IN DRAWING ENCAP 999-5-016-2-202. AVAILABLE AT <http://www.cpacar.com>
 - STANDARD (NON-SHRT) CONFIGURATIONS AND SHORTING BAR CONFIGURATIONS DESIGNED TO MATE WITH BLADE HOUSING ASSEMBLY SPECIFIED IN DRAWING SD-33486-161.
 - FOR 1.5mm RECEPTACLE TERMINALS TO BE USED WITH THIS ASSEMBLY. SEE MOLEX DRAWING SD-33092-002.
 - FOR 2.8mm RECEPTACLE TERMINALS TO BE USED WITH THIS ASSEMBLY SEE TABLE.
 - 2.8mm TERMINALS TO BE USED WITH WIRE WITHIN DIAMETER RANGE OF 150mm TO 3.30mm.
 - ASSEMBLY SHIPPED WITH PLR AND CPA IN PRE-LOCK POSITION (SEE SECTION Z-Z PRE-LOCK).
 - IN THE EVENT THAT THE PLR IS FOUND IN THE SEATED (FINAL LOCK) POSITION, REFER TO MOLEX SPECIFICATION PS-34666-001. AVAILABLE AT www.molex.com -<http://www.molex.com>
 - ASSEMBLY CONFORMS TO SAE/USCAR-2 REV.4 WITH THE FOLLOWING EXCEPTIONS: ENGAGEMENT FORCE TO MOVE CPA FROM PRE-LOCK TO FINAL LOCK POSITION WHEN UNMATED: 40N MN.
 - DISENGAGEMENT FORCE TO MOVE CPA FROM FINAL LOCK TO PRE-LOCK POSITION: 3N MIN 40N MAX.
 - TERMINAL INSERTION FORCE FOR WIRE DIAMETER ABOVE 2.5mm NOT EXCEEDING 2.69mm SHALL NOT EXCEED 40 NEWTONS.

b. PRODUCT SPECIFICATION SEE: PS-33476-000

- CONTAINS: PRODUCT INTRODUCTION, PRODUCT SUMMARY, RATINGS (CURRENT, TEMPERATURE, SEALING, AND FLAMMABILITY), AND PRODUCT VALIDATION.

c. PACKAGING SPECIFICATION PER MOLEX DRAWING: PK-30907-895

d. PARTS MUST BE IN COMPLIANCE TO MOLEX CHEMICAL SUBSTANCES FOR PRODUCTS SPECIFICATIONS ES-40000-5016

e. DATA MUST BE SUBMITTED UNDER THE MOLEX PART NUMBER TO MDS (COMPANY 0419295)

f. FOR INFORMATION ON 16 WAY HYBRID RECEPT HRN ASSY WITHOUT CLIPSLOT SEE E-33476-161

2. DESIGN - MATERIALS:

a. SEE BOM TABLE

3. DESIGN - GEOMETRY:

- a. THIS IS A 100% CAD GENERATED PART. THE CAD MATHEMATICAL DATA IS THE MASTER FOR THIS PART. FOR DIMENSIONAL OR ANY INFORMATION NOT SHOWN ON THIS DRAWING, ANALYZE THE CAD MODEL.
- b. GEOMETRIC DIMENSIONS AND TOLERANCES PER ASME Y14.5M - 1994
- c. EDGES AND UNDIMENSIONED DETAILS PER ISO1975
- d. CORNERS SHOWN AS SHARP TO BE R 0.2 MAX.
- e. LETTERING SHALL BE 0.15 MAX RAISED IN 0.25 MAX RECESS PAD. THIS INCLUDES RECYCLING CODE, CAVITY ID, VENDOR IDENTIFICATION, AND CUSTOMER MATERIAL NUMBER.
- f. VISUAL DEFECTS SHALL MEET COSMETIC STANDARD PS-45499-002 (Class B)
- g. LASER MARKING: TBD

TYCO 2.8mm CABLE SEAL TERMINAL	
FORD P/N FEMALE RECEPTACLE	GRIP SIZE
IFIT-14474-KA	12
IFIT-14474-JA	14
IFIT-14474-HA	16
IFIT-14474-GA	18
IFIT-14474-FA	20
IFIT-14474-EA	22

INSPECTION NUMBER LOG
LAST NUMBER USED:
ADDED:
REMOVED:

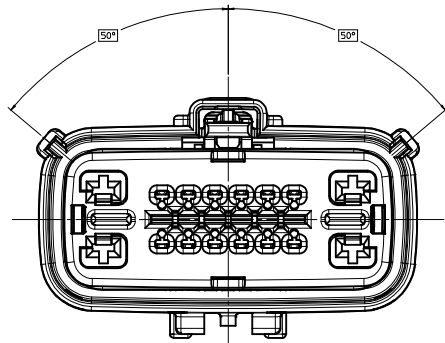
REV	DESCRIPTION
BC	UPDATED TO PLANNED OBSOLESCENCE
BB	ADD NEW P/N 33476-2345 THRU 33476-2348
BA10	ADD NEW P/N 33476-2343 THRU 33476-2344
BA9	ADD NEW P/N 33476-2338 THRU 33476-2342
BA8	CHANGE TO PK-30907-895
BA7	ADD NEW P/N 33476-2336 THRU 33476-2337
BA6	ADD NEW P/N 33476-2333 THRU 33476-2335
BA5	ADD NEW P/N 33476-2332
BA4	ADD NEW P/N 33476-2327 THRU 2331
BA3	ADD NEW P/N 33476-2314 THRU 2326
BA2	ADD NEW P/N 33476-2313
BA1	ADD NEW P/N 33476-2312
BA	ADD NEW P/N 33476-2310 33476-2311
A210	ADD NEW P/N 33476-2308 33476-2309
A29	ADD NEW P/N 33476-2305 33476-2306 33476-2307
A28	ADD NEW P/N 33476-2304
A27	ADD NEW P/N 33476-2303
A26	ADD NEW P/N 33476-2301 33476-2302
A25	ADD NEW P/N 33476-2295 33476-2300
A24	ADD NEW P/N 33476-2294
A23	ADD NEW P/N 33476-2292 33476-2293
A22	ADD NEW P/N 33476-2285 33476-2286 33476-2289 33476-2290 33476-2291
A21	ADD NEW P/N 33476-2283 33476-2284
A2	ADD NEW P/N 33476-2279 33476-2280
AY17	ADD NEW P/N 33476-2278
AY16	ADD NEW P/N 33476-2275 33476-2276 33476-2277
AY15	ADD NEW P/N 33476-2273 33476-2274
AY14	ADD NEW P/N 33476-2265 33476-2266 33476-2267 33476-2268 33476-2269 33476-2270 33476-2271 33476-2272
AY13	ADD NEW P/N 33476-2263 33476-2264
AY12	ADD NEW P/N 33476-2262
AY11	ADD NEW P/N 33476-2261
AY10	ADD NEW P/N 33476-2260
AY9	ADD NEW P/N 33476-2257 33476-2258 33476-2259
AY8	UPDATED 2.8MM WIRE SIZE
AY7	UPDATED WIRE SIZE
AY6	ADD NEW P/N 33476-2255 33476-2256
AY5	ADD NEW P/N 33476-2254
AY4	ADD NEW P/N 33476-2253

ENTER DESCRIPTION	QUALITY SYMBOLS	GENERAL TOLERANCES (UNLESS SPECIFIED)	DIMENSION STYLE	SCALE	DESIGN UNITS	THIRD ANGLE PROJECTION
EC NO: JAU0206-0550 10/17/14 DRAWN: MORGAN/STANLEY 2015/10/14 APPROVED: STANLEY 2015/10/29	▽=0 ▽=0 ▽=0	mm INCH 4 PLACES ± --- ± --- 3 PLACES ± --- ± --- 2 PLACES ± 0.10 ± --- 1 PLACE ± 0.3 ± --- 0 PLACE ±	MM ONLY DRAWN BY DATE KUNNINGHAM 2011/10/26 CHECKED BY DATE	3:1	METRIC	☉
REV	DESCRIPTION	APPROVED BY DATE	MATERIAL NO.	DOCUMENT NO.	SEE BOM	SD-33476-181
BC			SIZE		DRAFT WHERE APPLICABLE MUST REMAIN WITHIN DIMENSIONS	THIS DRAWING CONTAINS INFORMATION THAT IS PROPRIETARY TO MOLEX, INCORPORATED AND SHOULD NOT BE USED WITHOUT WRITTEN PERMISSION

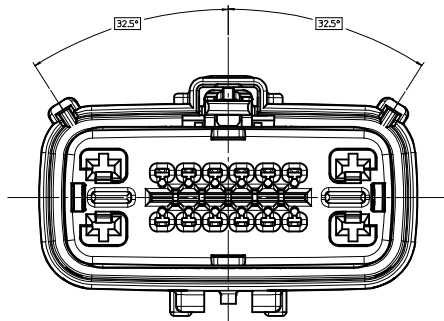
ENTER DESCRIPTION	QUALITY SYMBOLS	GENERAL TOLERANCES (UNLESS SPECIFIED)	DIMENSION STYLE	SCALE	DESIGN UNITS	THIRD ANGLE PROJECTION
EC NO: JAU0206-0550 10/17/14 DRAWN: MORGAN/STANLEY 2015/10/14 APPROVED: STANLEY 2015/10/29	▽=0 ▽=0 ▽=0	mm INCH 4 PLACES ± --- ± --- 3 PLACES ± --- ± --- 2 PLACES ± 0.10 ± --- 1 PLACE ± 0.3 ± --- 0 PLACE ±	MM ONLY DRAWN BY DATE KUNNINGHAM 2011/10/26 CHECKED BY DATE	3:1	METRIC	☉
REV	DESCRIPTION	APPROVED BY DATE	MATERIAL NO.	DOCUMENT NO.	SEE BOM	SD-33476-181
BC			SIZE		DRAFT WHERE APPLICABLE MUST REMAIN WITHIN DIMENSIONS	THIS DRAWING CONTAINS INFORMATION THAT IS PROPRIETARY TO MOLEX, INCORPORATED AND SHOULD NOT BE USED WITHOUT WRITTEN PERMISSION

ENTER DESCRIPTION	QUALITY SYMBOLS	GENERAL TOLERANCES (UNLESS SPECIFIED)	DIMENSION STYLE	SCALE	DESIGN UNITS	THIRD ANGLE PROJECTION
EC NO: JAU0206-0550 10/17/14 DRAWN: MORGAN/STANLEY 2015/10/14 APPROVED: STANLEY 2015/10/29	▽=0 ▽=0 ▽=0	mm INCH 4 PLACES ± --- ± --- 3 PLACES ± --- ± --- 2 PLACES ± 0.10 ± --- 1 PLACE ± 0.3 ± --- 0 PLACE ±	MM ONLY DRAWN BY DATE KUNNINGHAM 2011/10/26 CHECKED BY DATE	3:1	METRIC	☉
REV	DESCRIPTION	APPROVED BY DATE	MATERIAL NO.	DOCUMENT NO.	SEE BOM	SD-33476-181
BC			SIZE		DRAFT WHERE APPLICABLE MUST REMAIN WITHIN DIMENSIONS	THIS DRAWING CONTAINS INFORMATION THAT IS PROPRIETARY TO MOLEX, INCORPORATED AND SHOULD NOT BE USED WITHOUT WRITTEN PERMISSION

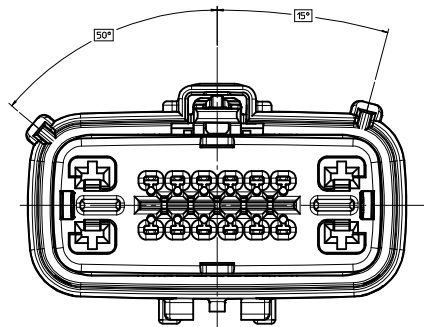
KEY CONFIGURATIONS



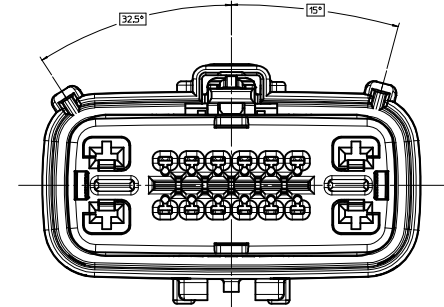
KEY A



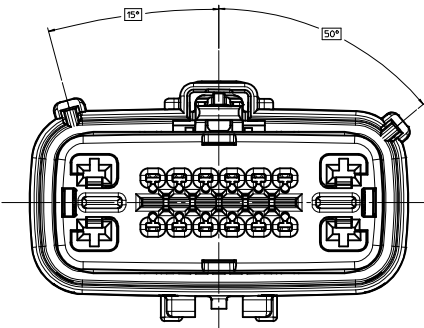
KEY E



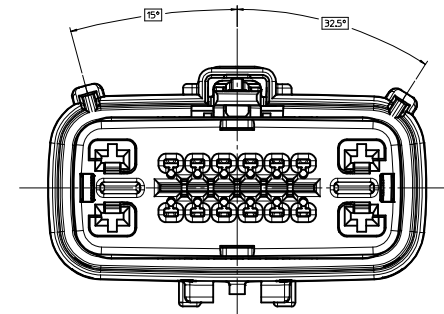
KEY B



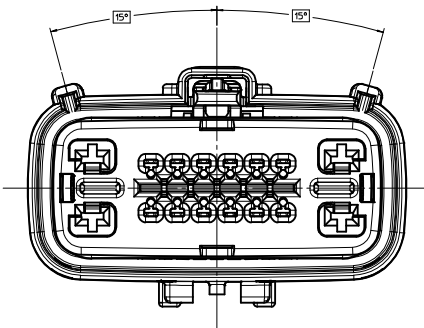
KEY F



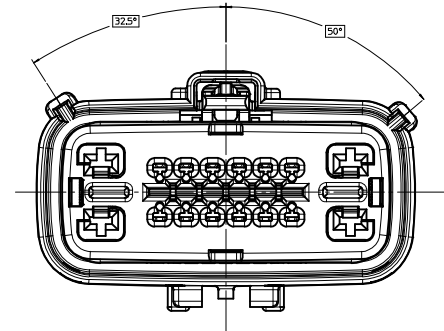
KEY C



KEY G



KEY D

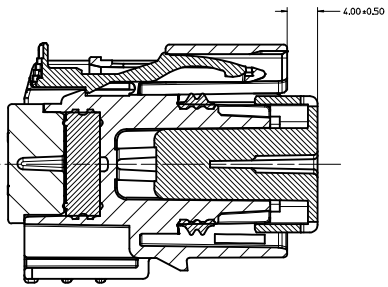
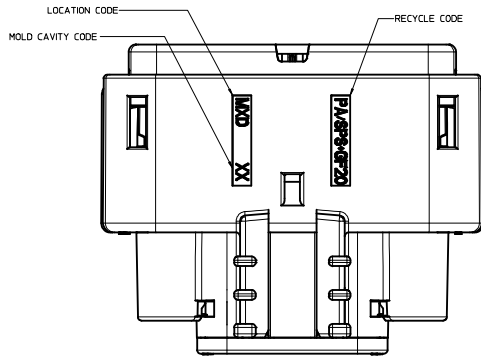
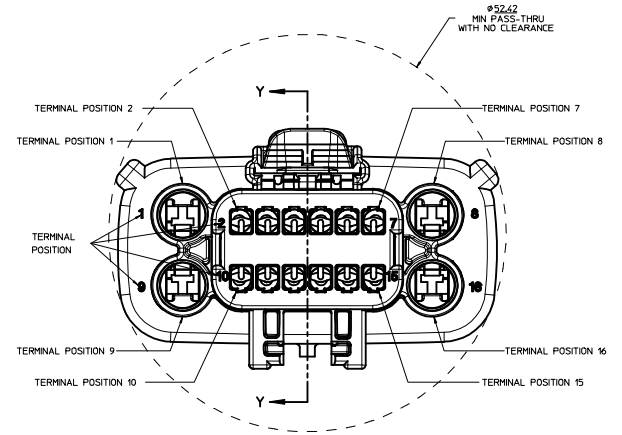
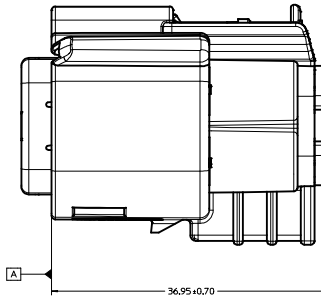
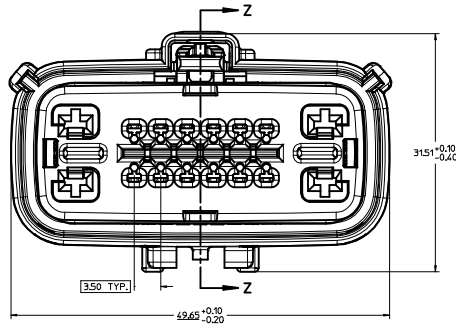
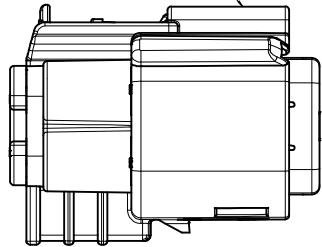


KEY H

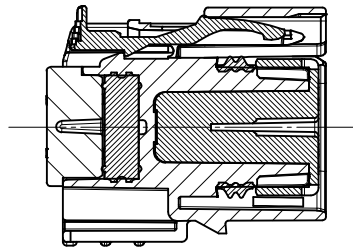
ENTER DESCRIPTION EC NO: 040206-0550 DRAWN BY: JACOB CHECKED BY: JACOB APPROVED BY: JACOB DATE: 2015/10/26	QUALITY SYMBOLS ∇=0 ∇=1 ∇=2	GENERAL TOLERANCES (UNLESS SPECIFIED) <table border="1"> <thead> <tr> <th></th> <th>mm</th> <th>INCH</th> </tr> </thead> <tbody> <tr> <td>4 PLACES</td> <td>± 0.15</td> <td>± 0.006</td> </tr> <tr> <td>3 PLACES</td> <td>± 0.20</td> <td>± 0.008</td> </tr> <tr> <td>2 PLACES</td> <td>± 0.30</td> <td>± 0.012</td> </tr> <tr> <td>1 PLACE</td> <td>± 0.50</td> <td>± 0.020</td> </tr> <tr> <td>0 PLACE</td> <td>± 0.75</td> <td>± 0.030</td> </tr> </tbody> </table>		mm	INCH	4 PLACES	± 0.15	± 0.006	3 PLACES	± 0.20	± 0.008	2 PLACES	± 0.30	± 0.012	1 PLACE	± 0.50	± 0.020	0 PLACE	± 0.75	± 0.030	DIMENSION STYLE MM ONLY	SCALE 4:1	DESIGN UNITS METRIC	THIRD ANGLE PROJECTION
		mm	INCH																					
	4 PLACES	± 0.15	± 0.006																					
	3 PLACES	± 0.20	± 0.008																					
2 PLACES	± 0.30	± 0.012																						
1 PLACE	± 0.50	± 0.020																						
0 PLACE	± 0.75	± 0.030																						
		DRAWN BY: JACOB DATE: 2011/10/26	TITLE MX150 16 WAY HYBRID RECEPT SEALED ASSEMBLY CLIPSLOT																					
		CHECKED BY: JACOB DATE:	APPROVED BY: JACOB DATE:	MATERIAL NO. SEE BOM	DOCUMENT NO. SD-33476-181	SHEET NO. 2 OF 7																		
		DRAFT WHERE APPLICABLE MUST REMAIN WITHIN DIMENSIONS	THIS DRAWING CONTAINS INFORMATION THAT IS PROPRIETARY TO MOLEX INCORPORATED AND SHOULD NOT BE USED WITHOUT WRITTEN PERMISSION																					

RECEPTACLE SEALED ASSEMBLY

OPTIONAL LASER MARKING ON THIS SURFACE
SEE NOTE 3g.



PRIMARY LOCK REINFORCEMENT (PLR) SHOWN
IN PRE-STAGED POSITION
SECTION Z-Z



PRIMARY LOCK REINFORCEMENT (PLR) SHOWN
IN FINAL-LOCK POSITION
SECTION Y-Y

ENTER DESCRIPTION EC NO. UAU2016-0550 DRAWN BY: J. W. BETHUNE CHECKED BY: J. W. BETHUNE APPR. MOSES, 2015/10/28	QUALITY SYMBOLS ∇=0 ∇=1 ∇=2	GENERAL TOLERANCES (UNLESS SPECIFIED) <table border="1"> <thead> <tr> <th></th> <th>mm</th> <th>INCH</th> </tr> </thead> <tbody> <tr> <td>4 PLACES</td> <td>± 0.10</td> <td>± 0.004</td> </tr> <tr> <td>3 PLACES</td> <td>± 0.15</td> <td>± 0.005</td> </tr> <tr> <td>2 PLACES</td> <td>± 0.20</td> <td>± 0.008</td> </tr> <tr> <td>1 PLACE</td> <td>± 0.30</td> <td>± 0.012</td> </tr> <tr> <td>0 PLACE</td> <td>± 0.40</td> <td>± 0.016</td> </tr> </tbody> </table>		mm	INCH	4 PLACES	± 0.10	± 0.004	3 PLACES	± 0.15	± 0.005	2 PLACES	± 0.20	± 0.008	1 PLACE	± 0.30	± 0.012	0 PLACE	± 0.40	± 0.016	DIMENSION STYLE MM ONLY	SCALE 4:1	DESIGN UNITS METRIC	THIRD ANGLE PROJECTION
		mm	INCH																					
	4 PLACES	± 0.10	± 0.004																					
	3 PLACES	± 0.15	± 0.005																					
2 PLACES	± 0.20	± 0.008																						
1 PLACE	± 0.30	± 0.012																						
0 PLACE	± 0.40	± 0.016																						
DRAFT WHERE APPLICABLE MUST REMAIN WITHIN DIMENSIONS	MATERIAL NO. SEE BOM	DRAWN BY DATE KCUNNINGHAM 2011/10/26	CHECKED BY DATE	TITLE MX150 16 WAY HYBRID RECEPT SEALED ASSEMBLY CLIPSLOT	DOCUMENT NO. SD-33476-181	SHEET NO. 3 OF 7																		
THIS DRAWING CONTAINS INFORMATION THAT IS PROPRIETARY TO MOLEX INCORPORATED AND SHOULD NOT BE USED WITHOUT WRITTEN PERMISSION																								

KEY	DESCRIPTION	QTY	UNIT	ASSEMBLY	PART	STATUS	1	2	3	4	5	6	7	8	9	10	11	12	13	14	15					
KEY A, BLACK	33476-2253	A				P											11		14							
KEY A, BLACK	33476-2252	A				P											11		13	14						
KEY A, BLACK	33476-2251	A				P		2	3	4	5															
KEY A, BLACK	33476-2250	A				P						5	6	7	10	11	12	13								
KEY A, BLACK	33476-2249	A				P						5	6					12	13							
KEY A, BLACK	33476-2248	A				P		2				5	6					12	13	14						
KEY A, BLACK	33476-2247	A				P			3	4	5						11	12	14	15						
KEY A, BLACK	33476-2246	A				P							7			11		13	14							
KEY A, BLACK	33476-2245	A				P							7			11										
KEY A, BLACK	33476-2244	A				P		2				6	7	10	11											
KEY A, BLACK	33476-2243	A				P		2				5	6	10	11											
KEY A, BLACK	33476-2242	A				P						5				10	11				15					
KEY A, BLACK	33476-2241	A				P		2										12	13	14						
KEY A, BLACK	33476-2240	A				P		2	3			5	6	7		11	12	13			15					
KEY A, BLACK	33476-2239	A				P		2	3			5	6	7		11	12	13	14		15					
KEY A, BLACK	33476-2238	A				P		2	3			5	6	7		11	12	13			15					
KEY A, BLACK	33476-2237	A				P		2	3			5	6	7		11	12	13			15					
KEY A, BLACK	33476-2236	A				P										10					15					
KEY A, BLACK	33476-2235	A				P			3	4			7	10	11											
KEY A, BLACK	33476-2234	A				P			3			5	6	7				13	14		15					
KEY A, BLACK	33476-2233	A				P		2	3			5	6	7		11					15					
KEY A, BLACK	33476-2232	A				P		2	4			5	6	7	10	11	12		14		15					
KEY A, BLACK	33476-2231	A				P		2	3			5	6	7	10	11	12	13	14		15					
KEY A, BLACK	33476-2230	A				P		2	3	4		5	6	7	10	11	12	13			15					
KEY A, BLACK	33476-2229	A				P		2					7	10												
KEY A, BLACK	33476-2228	A				P						5														
KEY A, BLACK	33476-2227	A				P			3				7	10	11											
KEY A, BLACK	33476-2226	A				P			3			5	6	7							15					
KEY A, BLACK	33476-2225	A				P			3			5	6	7	10	11					15					
KEY A, BLACK	33476-2224	A				P		2									12	13	14							
KEY A, BLACK	33476-2223	A				P		2	3			5	6	7		11	12	13	14		15					
KEY A, BLACK	33476-2222	A				P		2	3	4		5	6	7		11	12	13	14		15					
KEY A, BLACK	33476-2221	A				P		2		4					10	11	12	13	14		15					
KEY A, BLACK	33476-2220	A				P										10	11	12	13	14	15					
KEY A, BLACK	33476-2219	A				P			3			5	6	7		11		13	14		15					
KEY A, BLACK	33476-2218	A				P		2	3			5	6	7		11					15					
KEY A, BLACK	33476-2217	A				P		2	3	4		5	6	7		11					15					
KEY A, BLACK	33476-2216	A				P			3	4			7	10	11	12	13	14			15					
KEY F W/ SHRT, BAR, LT, GRAY	33476-2215				F	PS		2	3	4		5	6	7	10	11	12	13	14		15					
KEY A, BLACK	33476-2214	A				P		2	3			5	6	7	10	11	12	13	14		15					
KEY A, BLACK	33476-2213	A				P			3			5	6	7	10	11	12		14		15					
KEY A, BLACK	33476-2212	A				P			3	4			6	7				13	14		15					
KEY F W/ SHRT, BAR, LT, GRAY	33476-2211				F	PS		2	3	4		5	6	10												
KEY F W/ SHRT, BAR, LT, GRAY	33476-2210				F	PS						6														
KEY F W/ SHRT, BAR, LT, GRAY	33476-2209				F	PS		2	3				6	10												
KEY F W/ SHRT, BAR, LT, GRAY	33476-2208				F	PS						6			11	12										
KEY F W/ SHRT, BAR, LT, GRAY	33476-2207				F	PS						6			10	11	12									
KEY F W/ SHRT, BAR, LT, GRAY	33476-2206				F	PS		2				6														
KEY F W/ SHRT, BAR, LT, GRAY	33476-2205				F	PS						6														
KEY F W/ SHRT, BAR, LT, GRAY	33476-2204				F	PS		2	3			6								13						
KEY F W/ SHRT, BAR, LT, GRAY	33476-2203				F	PS						6														
KEY F W/ SHRT, BAR, LT, GRAY	33476-2202				F	PS		2	3			6	7							13	14					
KEY E W/ SHRT, BAR, BLACK	33476-2201				E	PS																				
KEY B, LT, GRAY	33476-2141				B	P						4		6							13					
KEY A, BLACK	33476-2139	A				P		2	3	4		5	6	7	10	11	12	13	14		15					
KEY A, BLACK	33476-2137	A				P		2	3			4									15					
KEY F W/ SHRT, BAR, LT, GRAY	33476-2136				F	PS						6	7								14					
KEY F W/ SHRT, BAR, LT, GRAY	33476-2135				F	PS		2	3			6	7								14					
KEY F W/ SHRT, BAR, LT, GRAY	33476-2134				F	PS					4	5	6	7	10	11	12	13	14		15					
KEY A, YELLOW	33476-2133				A	P		2													15					
KEY A, BLACK	33476-2130	A				P						6	7	10	11	12	13	14			15					
KEY H W/ SHRT, BAR & CPA, YELLOW	33476-2129				H	PS	CPA	2													15					
KEY A, BLACK	33476-2128	A				P		2	3			5	6			11					15					
KEY H W/ CPA, YELLOW	33476-2127				H	PS	CPA	2	3												15					
KEY A, BLACK	33476-2124	A				P						4									14					
KEY A, BLACK	33476-2123	A				P		2	3			5	6	10	11	12	13	14			15					
KEY A, BLACK	33476-2122	A				P						4									14					
KEY A, BLACK	33476-2114	A				P			3	4		5	7	10	11	12	13	14			15					
KEY A, BLACK	33476-2109	A				P		2					7	10	11	12	13	14			15					
KEY A, BLACK	33476-2108	A				P		2	3	4											15					
KEY A, BLACK	33476-2105	A				P		2				5	6								15					
KEY B, LT, GRAY	33476-2104				B	P						4									13					
KEY B, LT, GRAY	33476-2103				B	P						4									13					
KEY B, LT, GRAY	33476-2072				B	P		2	3	4		5	6	7	10	11	12	13	14		15					
KEY B, LT, GRAY	33476-2071				B	P															15					
ASSEMBLY DESCRIPTION	ASSEMBLY PART NUMBER	A	B	C	D	E	F	G	H	A	P	PS	CPA	2	3	4	5	6	7	10	11	12	13	14	15	STATUS

PLANNED OBSOLESCENCE
SEE DRAWING SD-34985-8002
FOR REPLACEMENT P/N'S
34985-XXXX

DESCRIPTION	COLOR	MATERIAL
GROMMET CAP	BLACK	SPS/NYLON GF20
MAT SEAL	LIGHT BLUE	INHERENTLY LUBRICATED SILICONE
RING SEAL	GREEN	INHERENTLY LUBRICATED SILICONE
CPA	BRIGHT RED	PBT GF30
PLR SHRT, BAR LFFTER	NATURAL	PBT GF15
PLR STANDARD	NATURAL	SPS/NYLON GF20
HOUSING KEYING OPTION A	YELLOW	SPS/NYLON GF20
HOUSING KEYING OPTION H	YELLOW	SPS/NYLON GF20
HOUSING KEYING OPTION G	BROWN	SPS/NYLON GF20
HOUSING KEYING OPTION F	LIGHT GRAY	SPS/NYLON GF20
HOUSING KEYING OPTION E	BLACK	SPS/NYLON GF20
HOUSING KEYING OPTION D	GREEN	SPS/NYLON GF20
HOUSING KEYING OPTION C	BROWN	SPS/NYLON GF20
HOUSING KEYING OPTION B	LIGHT GRAY	SPS/NYLON GF20
HOUSING KEYING OPTION A	BLACK	SPS/NYLON GF20
DESCRIPTION	COLOR	MATERIAL

BOM/APPLICABLE COMPONENTS TABLE

BLOCKED TERMINAL
CAVITY WITH A NUMBER INDICATES BLOCKED TERMINAL POSITION
CAVITY WITHOUT A NUMBER INDICATES OPEN TERMINAL POSITION

ABBREVIATION	COMPONENT
A	HOUSING KEY A
B	HOUSING KEY B
C	HOUSING KEY C
D	HOUSING KEY D
E	HOUSING KEY E
F	HOUSING KEY F
G	HOUSING KEY G
H	HOUSING KEY H
GC	GROMMET CAP
M	MAT SEAL
P	PLR, STANDARD
PS	PLR, SHRT BAR LIFTER
R	RING SEAL
CPA	CPA

ENTER DESCRIPTION EC NO. JAC2016-0350 DRAWING NO. 34985-8002 DATE 2015/10/24 APPR. WOSHAN 2015/10/29	QUALITY SYMBOLS ∇=0 ∇=1 ∇=2	GENERAL TOLERANCES (UNLESS SPECIFIED) 1 mm INCH 4 PLACES ± --- ± --- 3 PLACES ± --- ± --- 2 PLACES ± 0.10 ± --- 1 PLACE ± 0.3 ± --- 0 PLACE ± ±	DIMENSION STYLE MM ONLY DRAWN BY DATE X CUNNINGHAM 2011/10/26 CHECKED BY DATE	SCALE DESIGN UNITS METRIC	DESIGN UNITS THIRD ANGLE PROJECTION
	APPROVED BY DATE	MATERIAL NO. DOCUMENT NO.	TITLE MX150 16 WAY HYBRID RECP2 SEALED ASSEMBLY CLIPSL0T	SHEET NO. 5 OF 7	MOLEX
	DRAFT WHERE APPLICABLE MUST REMAIN WITHIN DIMENSIONS	SEE BOM	SD-33476-181	THIS DRAWING CONTAINS INFORMATION THAT IS PROPRIETARY TO MOLEX INCORPORATED AND SHOULD NOT BE USED WITHOUT WRITTEN PERMISSION	

