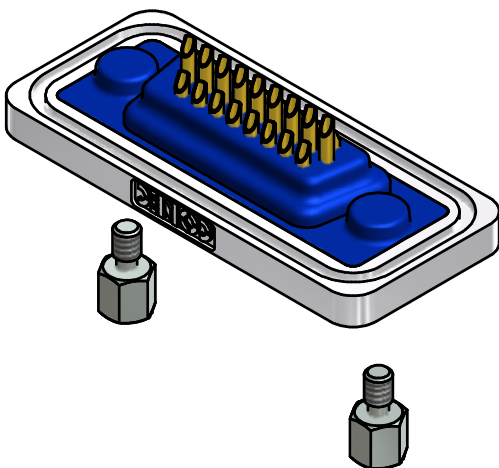
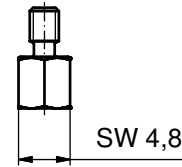
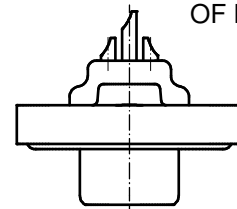
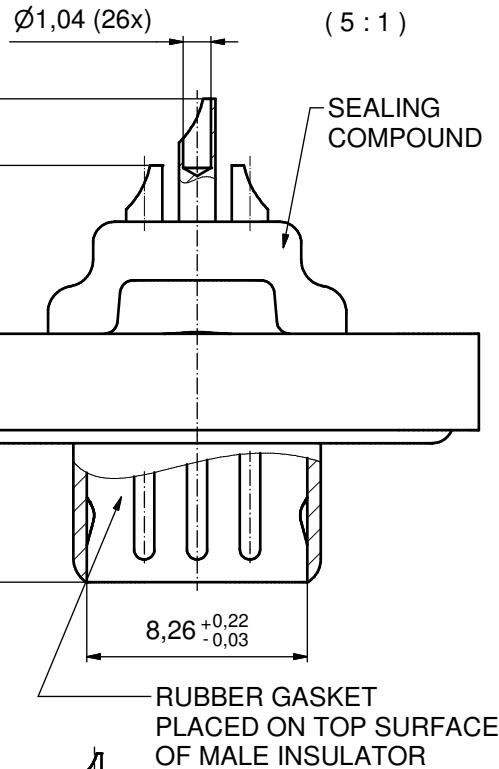
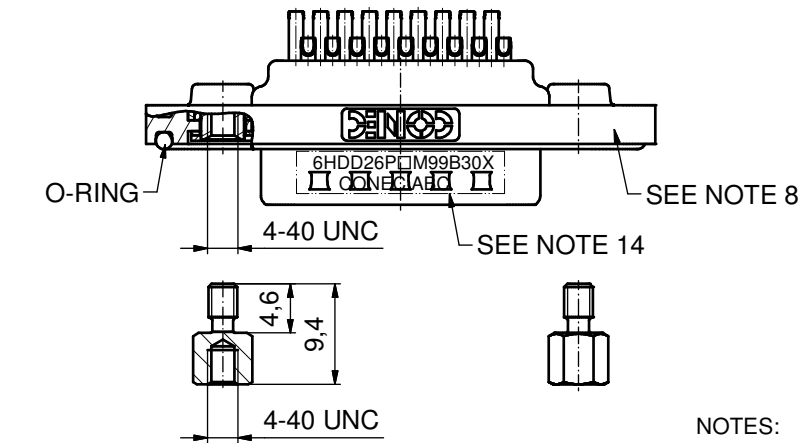
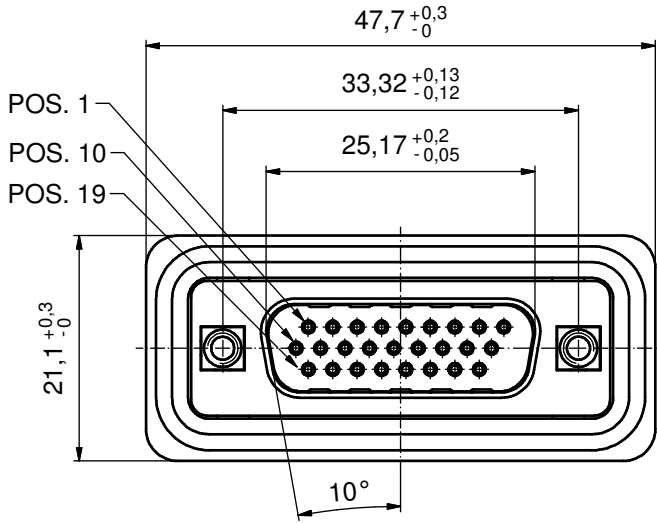


AT ALL TIMES WATER RESISTANT CONNECTORS NOT IN USE SHOULD BE COVERED WITH A CONEC WATER RESISTANT CAP OR WATER TIGHT HOOD.



NOTES:

1. RECOMMENDED SOLDER INSTRUCTION SEE SHEET 2
2. SEALING COMPOUND: PUR; BLUE
3. METALSHELLS: COPPER ALLOY; min. 315µm TIN over 40-80µm NICKEL
4. INSULATORS: PBT GF UL 94 V-0; BLACK
5. CONTACTS: COPPER ALLOY; PLATING (SEE PART NO.):
 - PLEASE ADD A for GOLD FLASH over NICKEL (PREFERRED TYPE)
 - PLEASE ADD B for 20µm HARD GOLD over min. 50µm NICKEL
 - PLEASE ADD C for 30µm HARD GOLD over min. 50µm NICKEL
- SOLDER CUP ACCEPTS CABLE AWG 22
6. THREADED INSERTS: COPPER ALLOY; min. 200µm TIN over 80µm NICKEL
7. COLLARS: COPPER ALLOY; min. 200µm TIN over 80µm NICKEL
8. FRAME: ZINC DIE CAST; NICKEL PLATED
9. RUBBER GASKET: TPE; BLACK
10. O-RING: SILICON; BLUE
11. HEXLOCKING SCREWS: STAINLESS STEEL
12. RECOMMENDED PANEL CUT-OUT ON SHEET 2
13. RECOMMENDED TORQUE FOR MOUNTING SCREW
35Ncm (3.1 in.LB) / max.40Ncm (3.5 in.LB)
14. CONNECTOR IS PART MARKED: 6HDD26P□M99B30X CONEC ABC (see note 5)

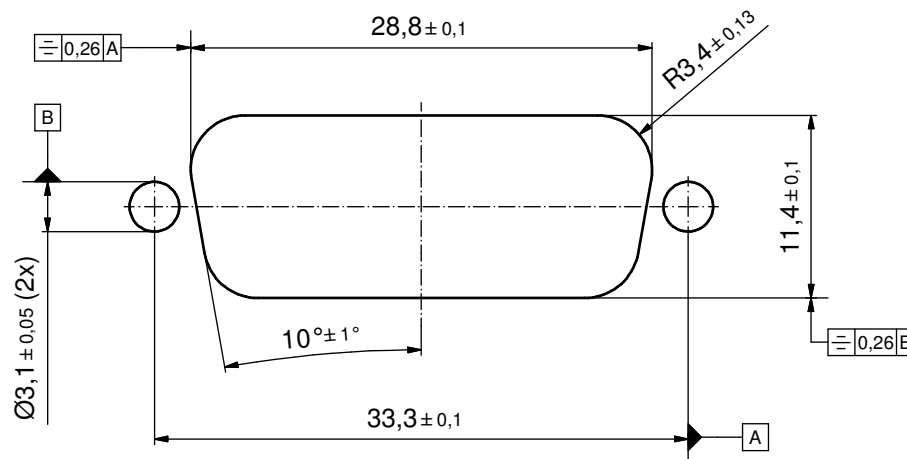
RoHS compliant

THIS DRAWING MAY NOT BE COPIED OR REPRODUCED IN ANY WAY, AND MAY NOT BE PASSED ON TO A THIRD PARTY WITHOUT WRITTEN PERMISSION. OWNERSHIP AND COPYRIGHT OF CONEC GmbH DO NOT ALTER CAD DRAWING BY HAND	tolerance		dim. in mm	scale: 2:1 (5:1)
				material: SEE NOTES
	date	name		title: D-SUB HD MALE 26pos. SOLDER CUP with threaded insert and hexlocking screw
	drawn 07.09.15	Henneboel		
	appd. 07.09.15	Lehmenkühler		
norm	d-old		dwg no:	
a Original			15K1A1662	
rev. description	date	name	part no: 6HDD26P□M99B30X (see note 5)	DIN-A3 sh: 1/2

Solder Instruction

1. Cable should be prepared for soldering. The cable/wires must be pretinned.
2. Insert cable/wire into solder cup.
3. Operate the soldering iron at 350°C, 50 Watt max. and use a pencil tip.
4. Put tip to wire in solder cup.
5. After 1 second bring in solder.
6. Heat for 3 seconds longer. Do not heat contact more than 4 seconds in total.
7. Remove soldering iron.
8. Wait until solder gets rigid again.
9. Do not solder adjacent contacts consecutively, alternate position within the connector to minimize heat build up.

RECOMMENDED PANEL CUT-OUT



THIS DRAWING MAY NOT BE COPIED OR REPRODUCED IN ANY WAY, AND MAY NOT BE PASSED ON TO A THIRD PARTY WITHOUT WRITTEN PERMISSION. OWNERSHIP AND COPYRIGHT OF CONEC GmbH DO NOT ALTER CAD DRAWING BY HAND				tolerance		scale: 3:1
				date	name	material: SEE SHEET 1
				drawn	07.09.15 Henneboel	title: RECOMMENDED PANEL CUT-OUT D-SUB HD MALE 26pos. SOLDER CUP with threaded insert and hexlocking screw
				appd.	07.09.15 Lehmenkühler	
				norm		
				d-old		dwg no:
	a	Original		CONEC [®]		15K1A1662
rev.	description	date	name			part no: SEE SHEET 1