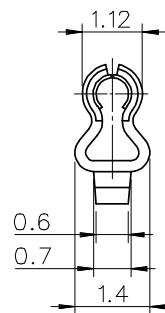
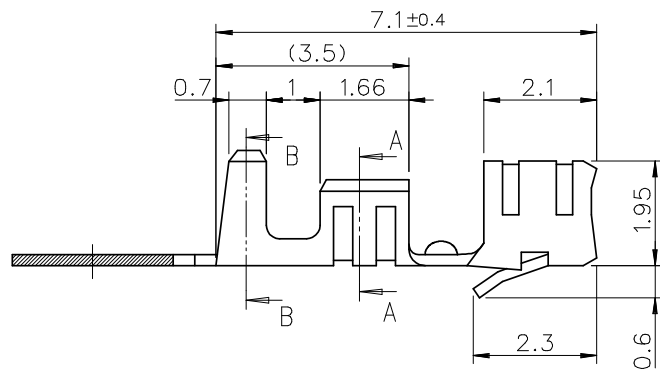


SECTION A-A

SECTION B-B



NOTE

1. APPLIED HOUSING : 5264-N
2. MATERIAL : PHOSPHOR BRONZE(PRE TIN)
3. APPLIED WIRE : AWG #22~#28
INS. RANGE: Ø1.15~1.9

ENG. NO.	Material No.	FORM
5263PBT9	39-00-0160	CHAIN

REVISED EC NO: KOR2008-0178 DRWN: HJEONG 2008/04/24 CHKD: 2008/04/24 APPR: YUNS IKKIM 2008/04/25	QUALITY SYMBOLS ▽=0 ∇=0	GENERAL TOLERANCES (UNLESS SPECIFIED)		DIMENSION STYLE MM ONLY		SCALE 10:1	DESIGN UNITS METRIC	THIRD ANGLE PROJECTION		
			mm	INCH	DRAWN BY 1988/09/13	DATE SJM00N	TITLE BOARD IN CONNECTOR CRIMP TERMINAL			
		4 PLACES ± ---	± ---	± ---	CHECKED BY 1988/09/13	DATE YS00KIM				
		3 PLACES ± ---	± ---	± ---	APPROVED BY 1988/09/13	DATE YS00KIM	MOLEX INCORPORATED DOCUMENT NO. SD-5263PBT9 SHEET NO. 1 OF 1			
2 PLACES ± 0.2	± ---	± ---	MATERIAL NO.							
1 PLACE ± 0.25	± ---	± ---	DRAFT WHERE APPLICABLE MUST REMAIN WITHIN DIMENSIONS		SEE TABLE		THIS DRAWING CONTAINS INFORMATION THAT IS PROPRIETARY TO MOLEX INCORPORATED AND SHOULD NOT BE USED WITHOUT WRITTEN PERMISSION			