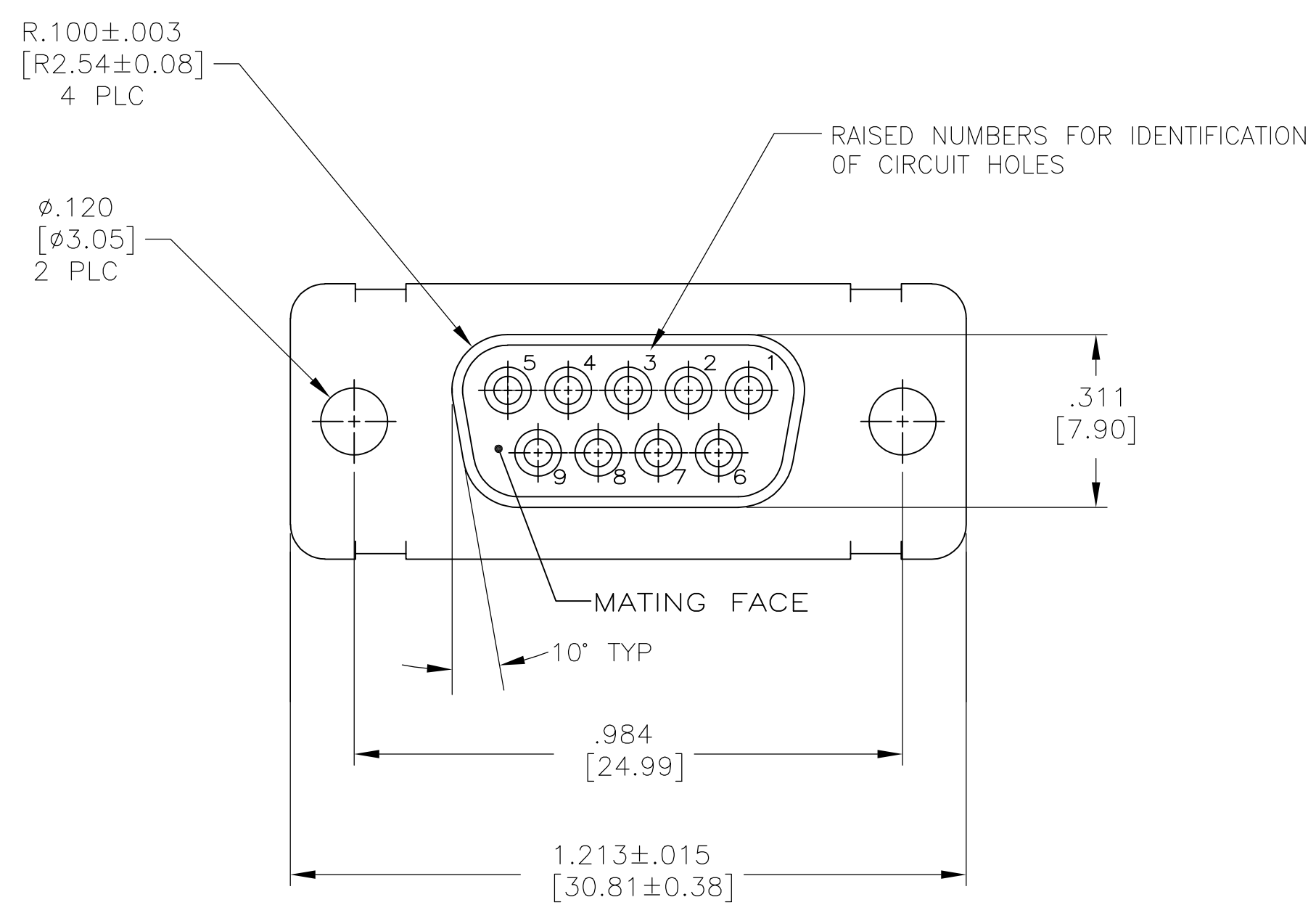
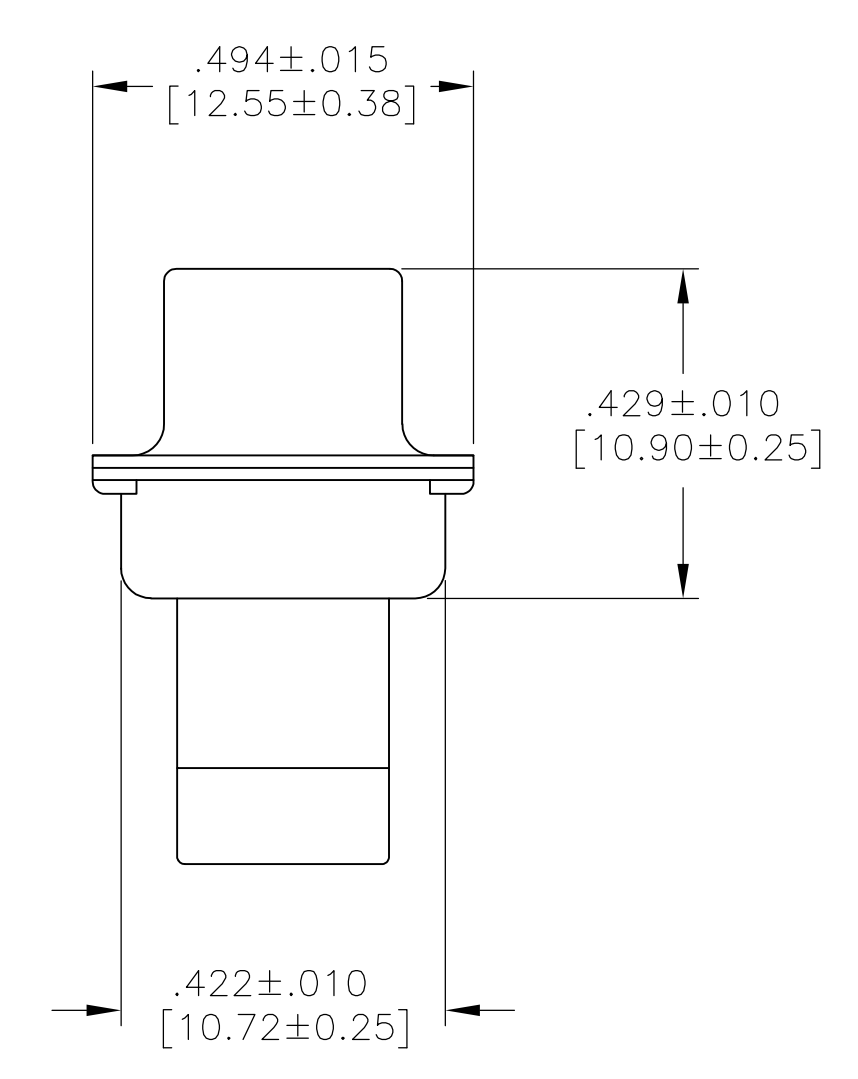
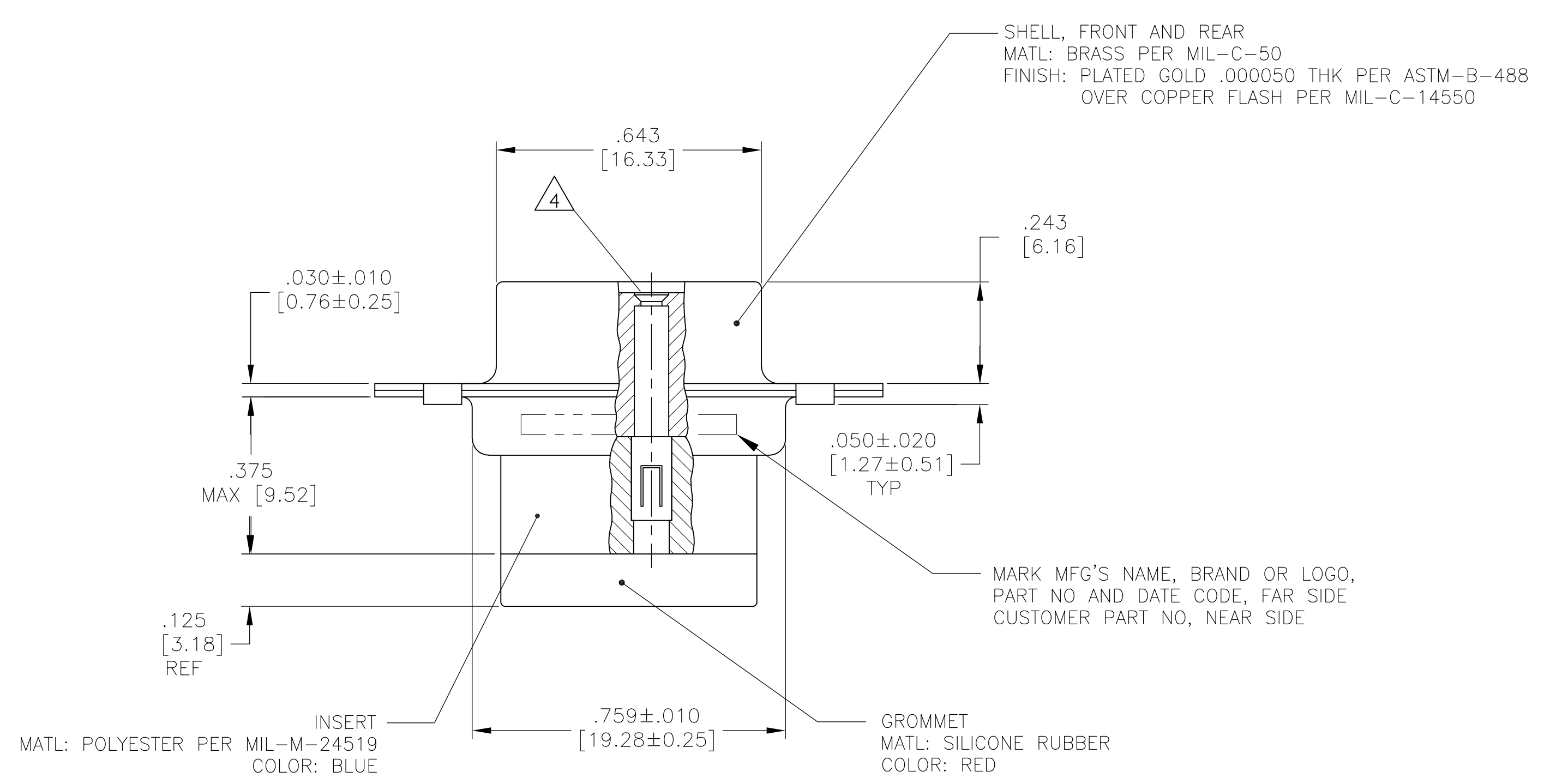


LOC		DIST		REVISIONS			
P	LTR	DESCRIPTION	DATE	DWN	APVD		
H		REV PER ECO 12-016000	9-18-12	RM	RL		



1. THIS RECEPTACLE WILL MATE WITH ANY 9 POSN, SIZE 1 PLUG IN AMPLIMITE SERIES
  2. MAXIMUM WIRE INSULATION USED WITH THIS RECEPTACLE IS  $\phi.068$  [1.73]
  3. BE CU RETENTION CLIPS ARE INCLUDED IN INSERT
- 4** CONNECTOR SUPPLIED WITHOUT CONTACTS; SHOWN FOR ILLUSTRATION ONLY



OBSOLETE	1A01-021	211633-1	211633-6
OBSOLETE	-	-	211633-5
		211633-4	211633-4
OBSOLETE	-	211633-3	211633-3
OBSOLETE	2A014-036V-001	211633-2	211633-2
	1A01-021-RHA	211633-1	211633-1
	MARKED CUSTOMER NO	MARKED TE PART NO	PART NO.

THIS DRAWING IS A CONTROLLED DOCUMENT.

DIMENSIONS: INCHES [mm]	TOLERANCES UNLESS OTHERWISE SPECIFIED:	DIN C.C.THOMAS 12-6-90	APVD F.KINSEY 12-6-90	NAME RCPT. ASSY.,AMPLIMITE,9 POSN,SIZE 1, SERIES 109, NON-MAG, W/GROMMET
0 PLC ± -	1 PLC ± -	2 PLC ± -	3 PLC ± .005 [0.13]	4 PLC ± -
ANGLES ± -				
MATERIAL SEE CALLOUTS	FINISH SEE CALLOUTS	WEIGHT -	SIZE A1	CAGE CODE 00779
CUSTOMER DRAWING		SCALE 4:1	SHEET 1 OF 1	REV H

STE TE Connectivity

211633