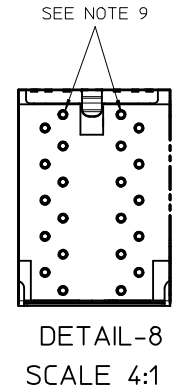
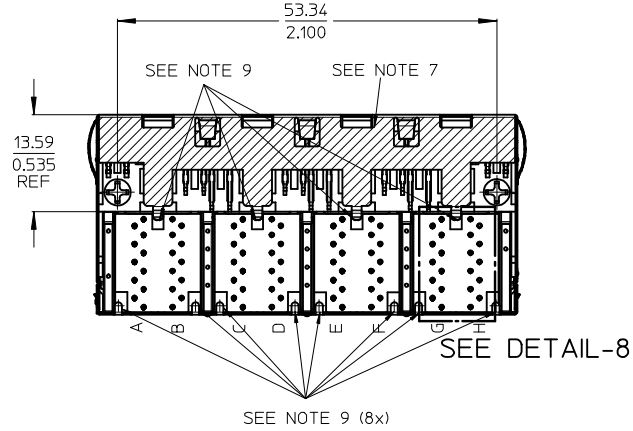
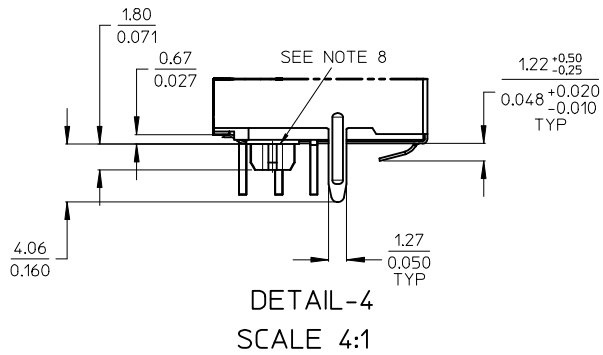
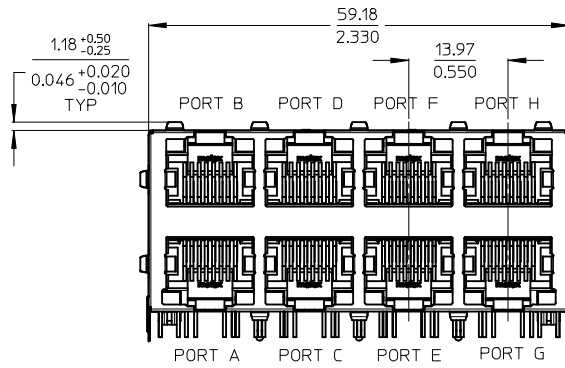
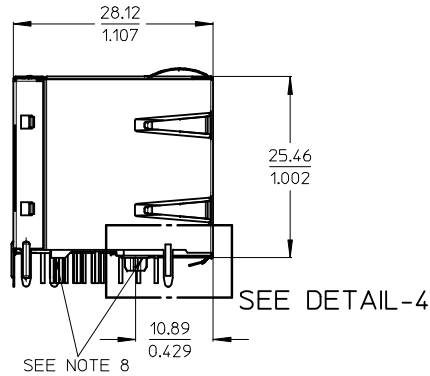


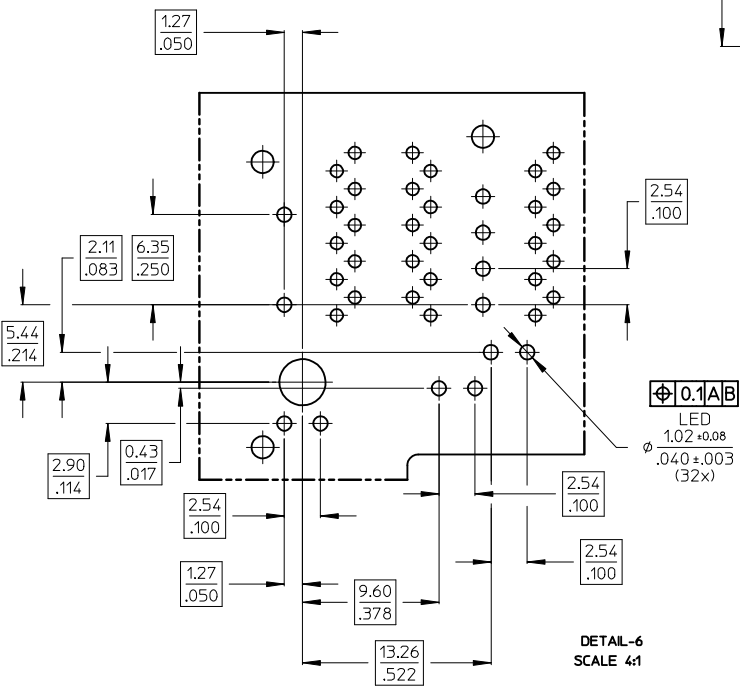
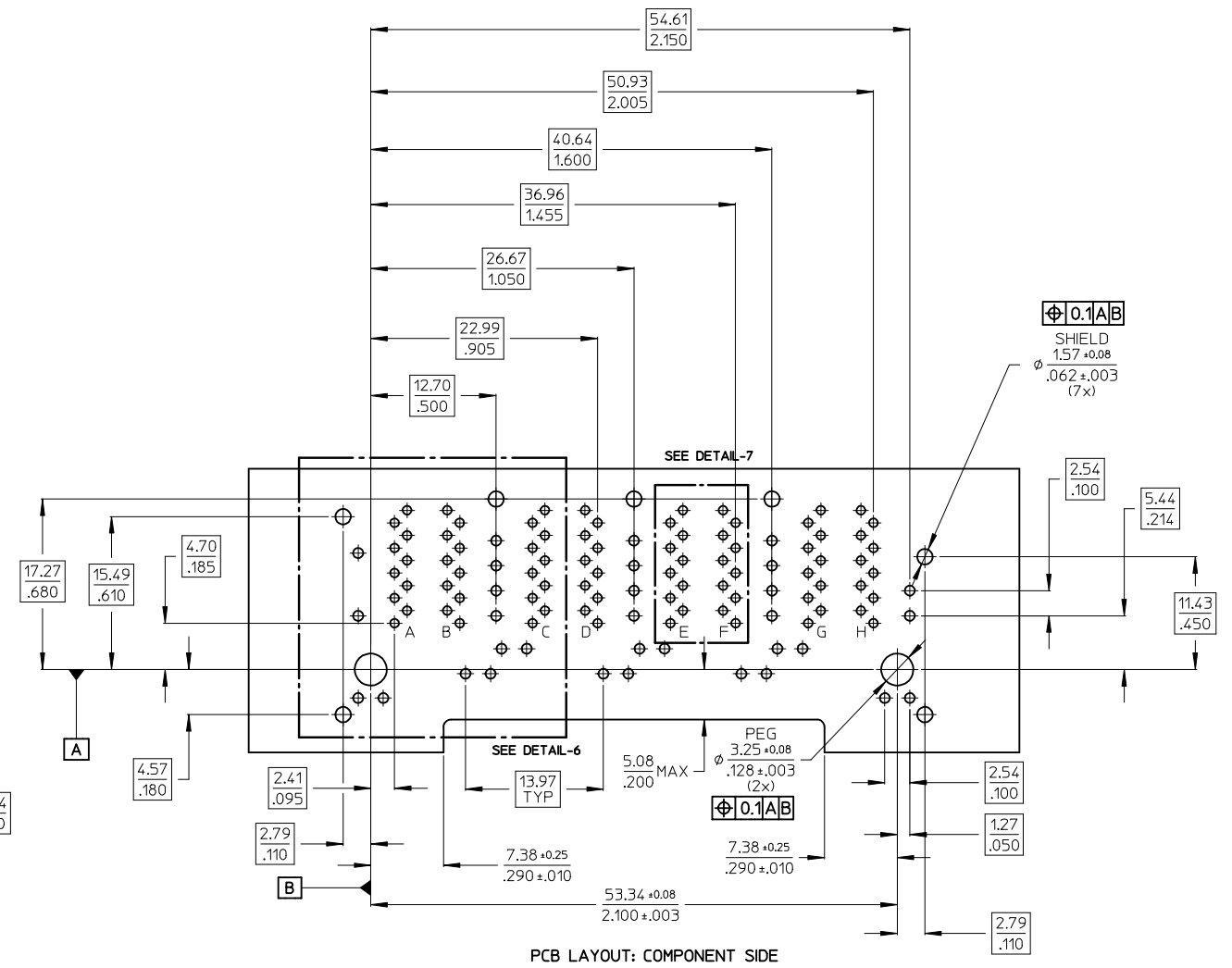
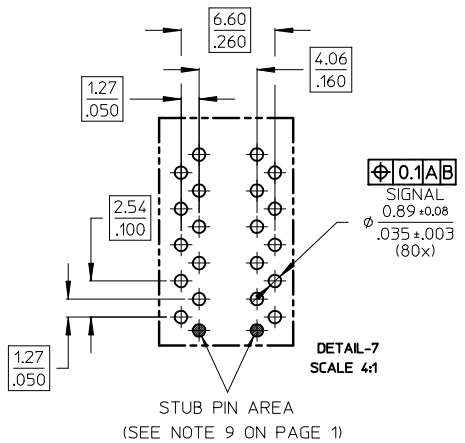
GIGABIT MAGNETIC JACK 2X4 LED



NOTES:

- 1 - SHIELD MATERIAL: BRASS; PLATING: NICKEL PRE-PLATING
- 2 - PLASTIC MATERIAL: POLYESTER (PBT)BLACK,30% UL 94V-0
- 3 - TERMINALS MATERIAL: COPPER ALLOY
RJ45 CONTACT AREA PLATING: 0.76 MICROMETER GOLD OVER 1.9 MICROMETER NICKEL
SOLDER TERMINALS: 3 MICROMETER TIN
- 4 - JACK TO BE MATED WITH FCC 68.5 PLUGS / IEC 60603-7 PLUGS
- 5 - PRODUCT SPECIFICATION: PS-85728-001
- 6 - PACKAGING SPECIFICATION: PK-85727-001
- 7 - TRACES WITHOUT INSULATION NOT ALLOWED IN THE DASHED AREAS.
(TO AVOID SHORTS TO SHIELD)
- 8 - STAND OFF TO SYSTEM BOARD
- 9 - STUB PINS AND SHIELD LATCHES AVOID TO ROUTE TRACES OR TO PLACE ANY VIAS OR PADS BELOW THESE PINS

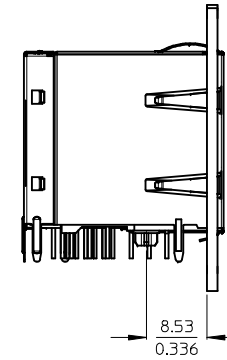
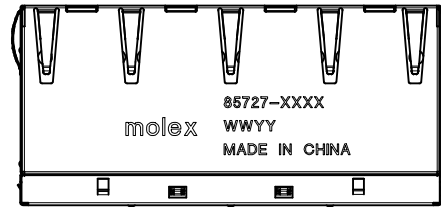
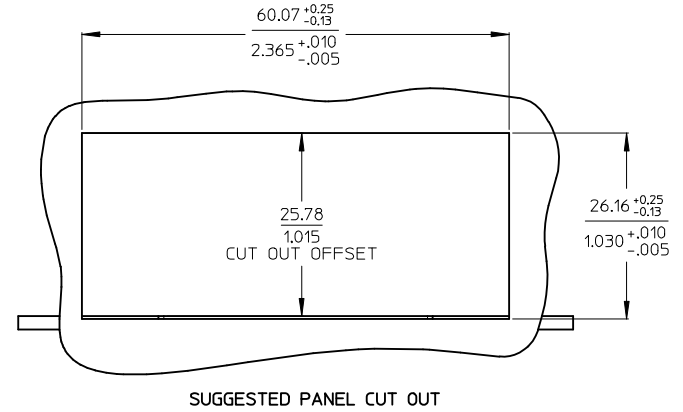
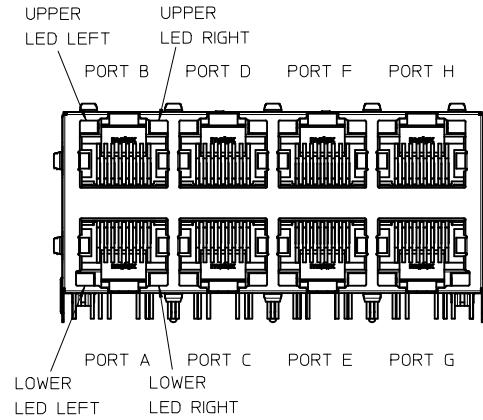
ENTER DESCRIPTION EC NO: MG2010-0093 DRWN:MMANGARUDOV 2010/05/07 CHKD:JBADER 2010/05/10 APPR:SSTEINKE 2012/04/24	QUALITY SYMBOLS ▽=0 ▽=0	GENERAL TOLERANCES (UNLESS SPECIFIED)		DIMENSION STYLE MM ONLY		SCALE 2:1	DESIGN UNITS METRIC	THIRD ANGLE PROJECTION		
			mm	INCH	DRAWN BY MMANGARUDOV	DATE 2010/05/07	TITLE GIGABIT MAGNETIC JACK 2X4 LED			
A	DESCRIPTION	4 PLACES ±---	±---	±---	CHECKED BY JBADER	DATE 2010/05/10	MOLEX INCORPORATED			
		3 PLACES ±---	±---	±---	APPROVED BY SSTEINKE	DATE 2012/04/24				
		2 PLACES ±0.25	±---	±---	MATERIAL NO. SEE SHEET 3		DOCUMENT NO. SD-85727-001	SHEET NO. 1 OF 4		
		1 PLACE ±0.5	±---	±---	THIS DRAWING CONTAINS INFORMATION THAT IS PROPRIETARY TO MOLEX INCORPORATED AND SHOULD NOT BE USED WITHOUT WRITTEN PERMISSION					
		ANGULAR ±.5°		DRAFT WHERE APPLICABLE MUST REMAIN WITHIN DIMENSIONS						



ENTER DESCRIPTION EC NO: MG2010-0093 DRW: MMANGARUDOV 2010/05/07 CHKD: JBADER 2010/05/10 APPR: SSTEINKE 2012/04/24	QUALITY SYMBOLS ▽=0 ▽=0	GENERAL TOLERANCES (UNLESS SPECIFIED)		DIMENSION STYLE MM ONLY	SCALE 3:1	DESIGN UNITS METRIC	THIRD ANGLE PROJECTION	
		4 PLACES ± --- ± --- 3 PLACES ± --- ± --- 2 PLACES ± 0.25 ± --- 1 PLACE ± 0.5 ± --- ANGULAR ± .5°	mm INCH ± --- ± --- ± 0.25 ± --- ± 0.5 ± ---	DRAWN BY MMANGARUDOV	DATE 2010/05/07	TITLE GIGABIT MAGNETIC JACK 2X4 LED		
DESCRIPTION A	DRAFT WHERE APPLICABLE MUST REMAIN WITHIN DIMENSIONS	APPROVED BY SSTEINKE		DATE 2012/04/24	MOLEX INCORPORATED			
		MATERIAL NO. SEE SHEET 3		DOCUMENT NO. SD-85727-001	SHEET NO. 2 OF 4			

PART NUMBER	UPPER & LOWER LED LEFT		UPPER & LOWER LED RIGHT	
85727-1001	COLOUR 1	GREEN	COLOUR 1	GREEN
85727-1002	COLOUR 1	GREEN	COLOUR 1	GREEN
	COLOUR 2	ORANGE		
85727-1003	COLOUR 1	GREEN	COLOUR 1	YELLOW
85727-1004	COLOUR 1	GREEN	COLOUR 1	GREEN
	COLOUR 2	ORANGE	COLOUR 2	ORANGE
85727-1006	COLOUR 1	GREEN	COLOUR 1	ORANGE
85727-1008	COLOUR 1	GREEN	COLOUR 1	GREEN
	COLOUR 2	YELLOW	COLOUR 2	YELLOW
85727-1012	COLOUR 1	YELLOW	COLOUR 1	YELLOW
	COLOUR 2	GREEN	COLOUR 2	GREEN
85727-1013	COLOUR 1	YELLOW	COLOUR 1	GREEN
	COLOUR 2	GREEN		
85727-1014	COLOUR 1	YELLOW	COLOUR 1	GREEN
85727-1016	COLOUR 1	GREEN	COLOUR 1	GREEN
			COLOUR 2	YELLOW

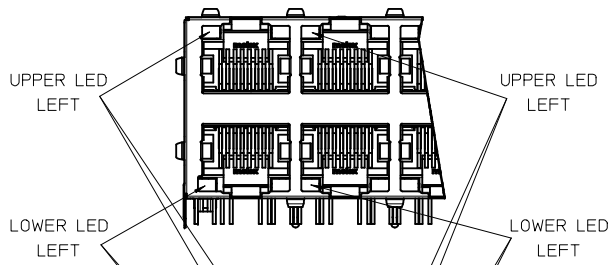
ADDITIONAL LED COLOURS AND CONFIGURATIONS AVAILABLE ON REQUEST



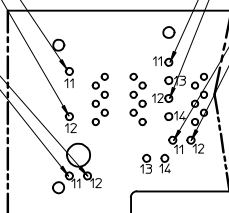
NOTED:

- 1 - PRINTING MARKED BY LASER
- 2 - INSCRIPTION:
1st LINE: PART NUMBER
2nd LINE: DATE CODE (YEAR,MONTH,DAY) - MANUFACTURER ID - COSECUTIVE NUMBER

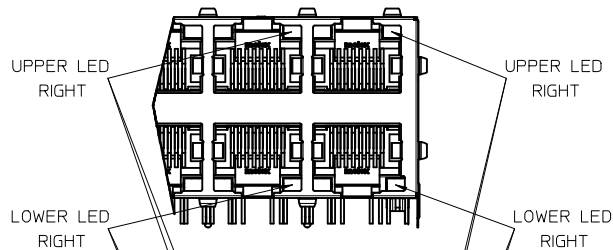
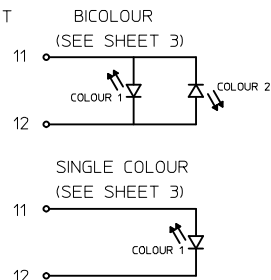
ENTER DESCRIPTION EC NO: MG2010-0093 DRWN:MMANGARUDOV 2010/05/07 CHKD:JBADER 2010/05/10 APPR:SSTEINKE 2012/04/24	QUALITY SYMBOLS ▽=0 ▽=0	GENERAL TOLERANCES (UNLESS SPECIFIED)		DIMENSION STYLE MM ONLY	SCALE 2:1	DESIGN UNITS METRIC	THIRD ANGLE PROJECTION
		4 PLACES ± --- ± --- 3 PLACES ± --- ± --- 2 PLACES ± 0.25 ± --- 1 PLACE ± 0.5 ± ---	mm INCH	DRAWN BY DATE MMANGARUDOV 2010/05/07	TITLE GIGABIT MAGNETIC JACK 2X4 LED		
		ANGULAR ± .5 °	CHECKED BY DATE JBADER 2010/05/10	MOLEX INCORPORATED			
		DRAFT WHERE APPLICABLE MUST REMAIN WITHIN DIMENSIONS	APPROVED BY DATE SSTEINKE 2012/04/24	MATERIAL NO. SEE BOM	DOCUMENT NO. SD-85727-001		
A	REV	THIS DRAWING CONTAINS INFORMATION THAT IS PROPRIETARY TO MOLEX INCORPORATED AND SHOULD NOT BE USED WITHOUT WRITTEN PERMISSION		SHEET NO. 3 OF 4			



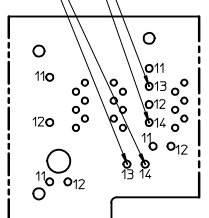
UPPER & LOWER LEFT LED		
PIN POSITION	COLOUR 1	COLOUR 2
11	+	-
12	-	+



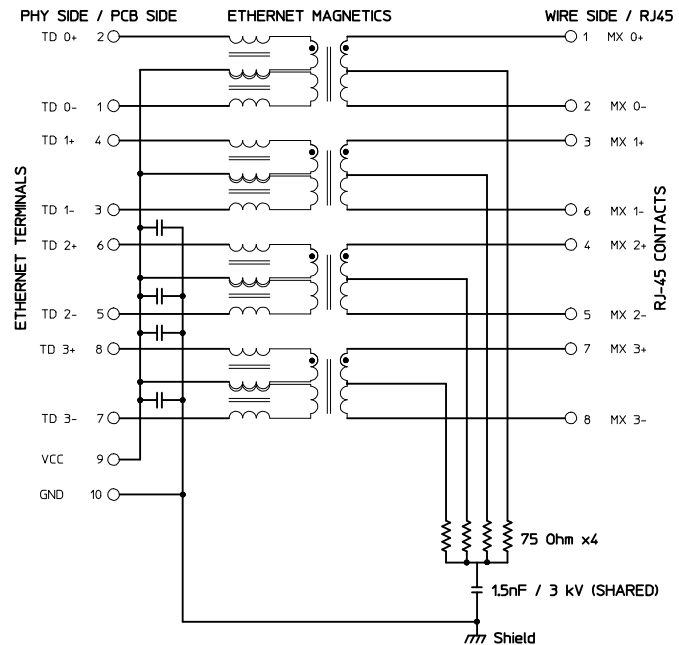
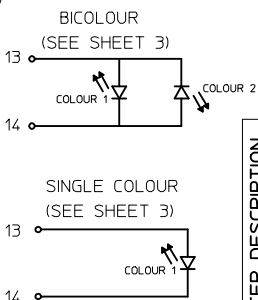
COMPONENT VIEW



UPPER & LOWER RIGHT LED		
PIN POSITION	COLOUR 1	COLOUR 2
13	+	+
14	-	-



COMPONENT VIEW



PIN	ETHERNET MAGNETICS
10	GND
9	Vcc
8	TD 3+
7	TD 3-
6	TD 2+
5	TD 2-
4	TD 1+
3	TD 1-
2	TD 0+
1	TD 0-

ENTER DESCRIPTION EC NO: MG2010-0093 DRW:MMANGARUDOV 2010/05/07 CHKD:JBADER 2010/05/10 APPR:SSTEINKE 2012/04/24	QUALITY SYMBOLS 	GENERAL TOLERANCES (UNLESS SPECIFIED)		DIMENSION STYLE MM ONLY		SCALE 2:1	DESIGN UNITS METRIC	THIRD ANGLE PROJECTION
		4 PLACES ± --- ± --- 3 PLACES ± --- ± --- 2 PLACES ± 0.25 ± --- 1 PLACE ± 0.5 ± ---	mm INCH	DRAWN BY DATE MMANGARUDOV 2010/05/07	TITLE GIGABIT MAGNETIC JACK 2X4 LED			
		DRAFT WHERE APPLICABLE MUST REMAIN WITHIN DIMENSIONS		CHECKED BY DATE JBADER 2010/05/10	MOLEX INCORPORATED			
		SEE SHEET 3		APPROVED BY DATE SSTEINKE 2012/04/24	MATERIAL NO. SD-85727-001	DOCUMENT NO. 4 OF 4		