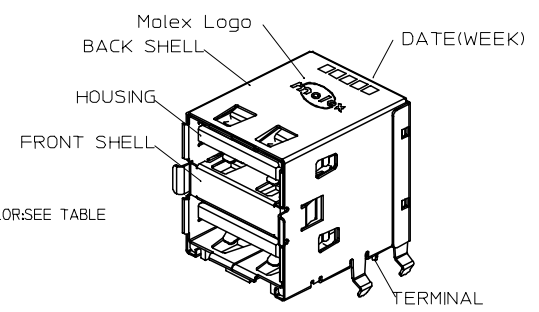
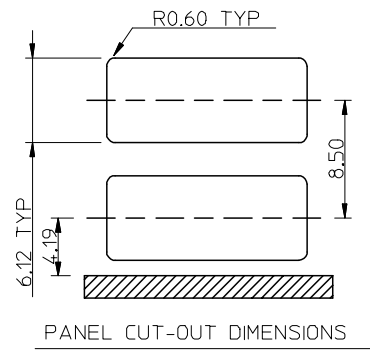
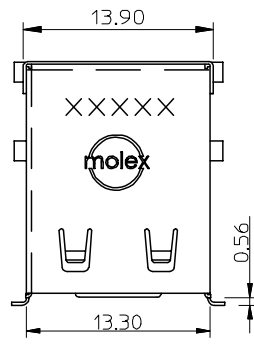
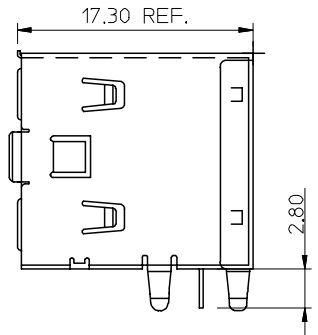
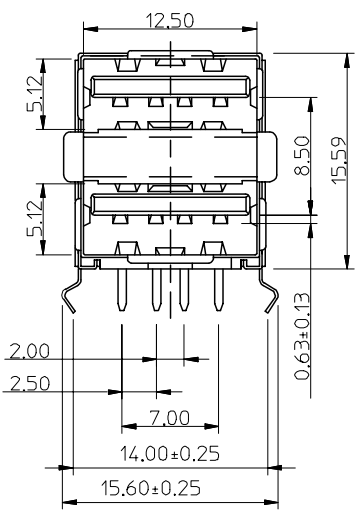
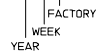


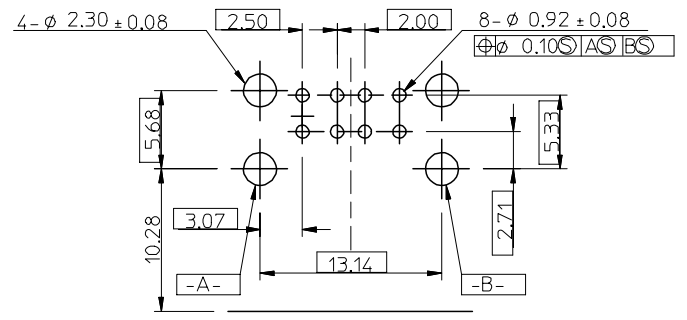
7 6 5 4 3 2 1



- NOTE :
- MATERIAL :
HOUSING :POLYESTER(PBT),GLASS FIBER FILLED, UL94-V0,COLOR:SEE TABLE
TERMINAL :PHOSPHOR BRONZE
METAL SHELL :FRONT SHELL:SUS 304
BACK SHELL:SPCC
 - PLATING :
TERMINAL :
CONTACT AREA :SEE TABLE
SOLDER TAIL :TIN(Sn) ALLOY,THICKNESS=75 MICROINCH MIN/1.9 MICROMETER MIN.
UNDER PLATE :NICKEL(Ni),THICKNESS=50 MICROINCH MIN/1.27 MICROMETER MIN.
METAL SHELL :TIN PLATING,THICKNESS=100 MICROINCH MIN/2.54 MICROMETER MIN.
UNDER PLATE :NICKEL (Ni),THICKNESS=50 MICROINCH MIN/1.27 MICROMETER MIN.
 - RECOMMENDED PCB THICKNESS :1.60 +/- 0.05mm
 - PRODUCT SPECIFICATION:REFER TO PS-67298-001
 - TEST SUMMARY:REFER TO TS-67298-008
 - PACKAGING:REFER TO PK-67298-003
 - THE HOUSING MATERIAL IS NOT FOR IR REFLOW PROCESS OR SURFACE MOUNTING COMPATIBLE PROCESS.
 - LEAD FREE AND ROHS COMPLIANCE PRODUCT
 - WEEK CODE XXXXX



P/N	COLOR	CONTACT PLATING
67298-3090	BLACK	GOLD FLASH
67298-4090	WHITE	GOLD FLASH
67298-3091	BLACK	30 MICRO INCH
67298-4091	WHITE	30 MICRO CHEN



RECOMMENDED PCB LAYOUT

L/F FOR 67298 EC NO: SH2005020297 DRWN: JCHEN12 2005/05/06 CHKD: 2005/05/10 APPR: WWSCHANG 2005/05/10	QUALITY SYMBOLS ▽=0 ◻=0	GENERAL TOLERANCES (UNLESS SPECIFIED)		DIMENSION STYLE MM ONLY		SCALE	DESIGN UNITS METRIC	THIRD ANGLE PROJECTION	
			mm	INCH	DRAWN BY IVY-LIN	DATE 2005/03/11	TITLE USB DUAL STACKED A CONNECTOR (LEAD FREE VERSION)	Molex MOLEX INCORPORATED	SHEET NO. 1 OF 1
		4 PLACES	± ---	± ---	CHECKED BY ALL IN	DATE 2005/04/01			
		3 PLACES	± ---	± ---	APPROVED BY WWSCHANG	DATE 2005/04/01			
			ANGULAR ± 3 °		MATERIAL NO. SEE TABLE	DOCUMENT NO. SD-67298-008			
		DRAFT WHERE APPLICABLE MUST REMAIN WITHIN DIMENSIONS		SIZE A4	THIS DRAWING CONTAINS INFORMATION THAT IS PROPRIETARY TO MOLEX INCORPORATED AND SHOULD NOT BE USED WITHOUT WRITTEN PERMISSION				

6 5 4 3 2 1