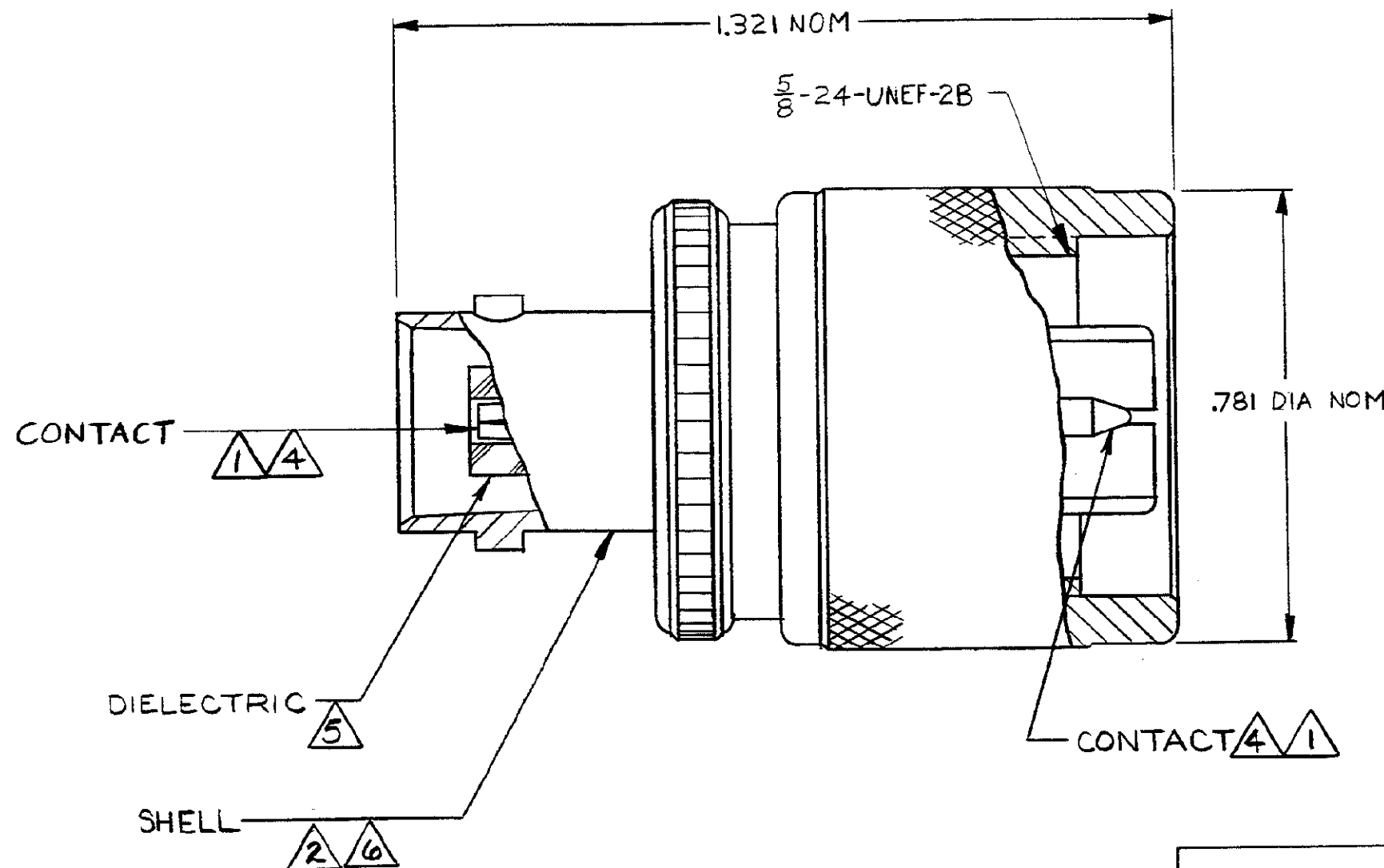


THIS DRAWING IS UNPUBLISHED. RELEASED FOR PUBLICATION

© COPYRIGHT 19 BY AMP INCORPORATED, HARRISBURG, PA. ALL INTERNATIONAL RIGHTS RESERVED. AMP PRODUCTS MAY BE COVERED BY U.S. AND FOREIGN PATENTS AND/OR PATENTS PENDING.

REVISIONS						
P	F	ZONE	LTR	DESCRIPTION	DATE	APPROVED
				RELEASED PR 87-3513-003	5/28/87	RHA/DH
		A		REV PER AJ-2864	10-12-87	Lam/DH



- ① GOLD PL PER MIL-G-45204, .000030 THK.
- ② NICKEL PL PER QQ-N-290
- ③ COMPARABLE UG/U CONNECTOR: 201 A/U
- ④ BERYLLIUM COPPER
- ⑤ PTFE
- ⑥ BRASS

222321-1
PART NO

UNLESS OTHERWISE SPECIFIED DIMENSIONS ARE IN INCHES. TOLERANCES ON: DECIMALS ± — ANGLES ± —	CONTRACT NO	AMP AMP INCORPORATED Harrisburg, Pa.		
	DR <i>Ray Alexander</i> 5/29/87			
	MATERIAL	CHK <i>J.S. Heide</i> 6/2/87	NAME	ADAPTER, BNC JACK TO N PLUG
	③ THRU ⑤ FINISH ① ②	APPD <i>Dan Whittle</i> 6-2-87 APPD <i>W. Sand</i> 9/1/87 DSGN APPD OTHER APPD	SIZE B FSCM NO 00779 DRAWING NO 222321-1	SCALE 4:1 SHEET 1 OF 1