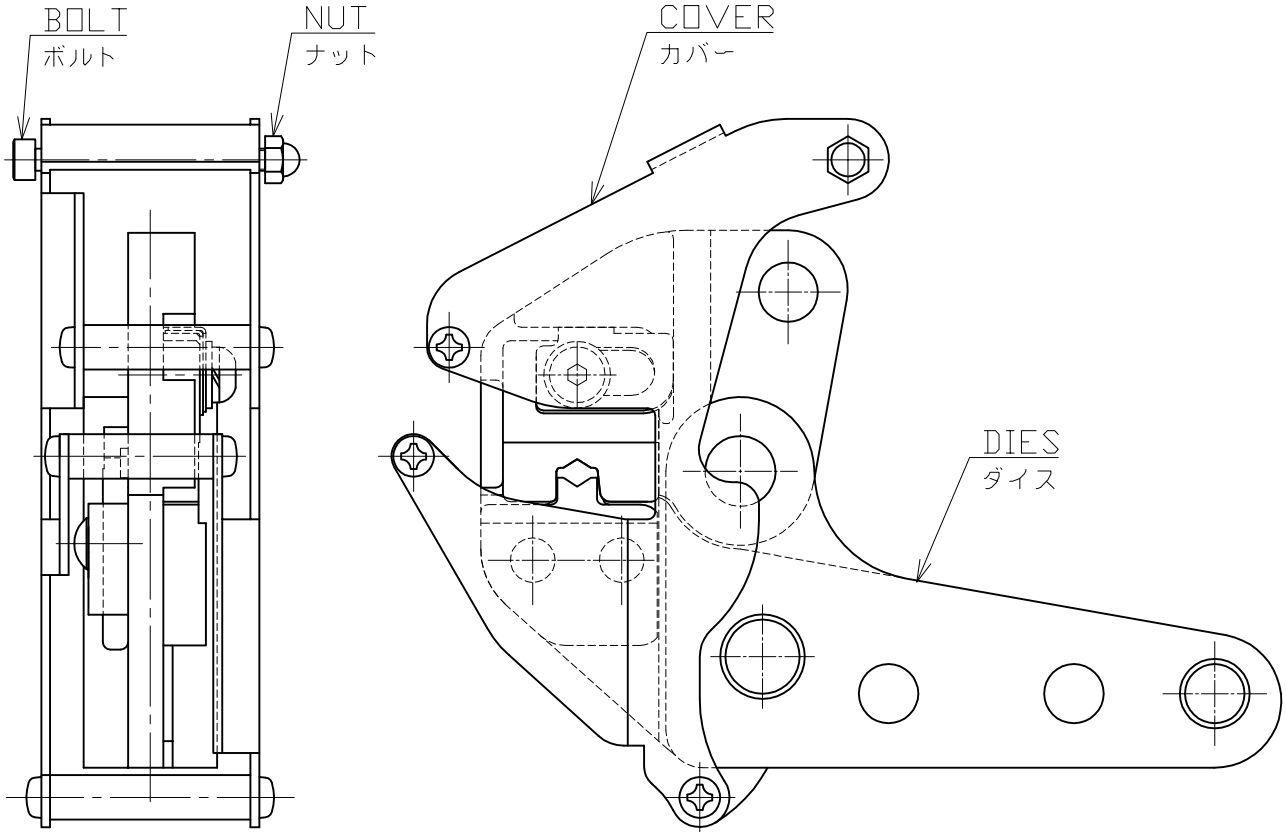


LOC J	DIST —	REVISIONS			
P	LTR	DESCRIPTION	DATE	DWN	APVD
	B	ECR-14-016637	07NOV2014	S.N	J.K

PART NUMBER	WIRE RANGE	TERMINAL	INSTRUCTION SHEET	REMARKS
2155399-1	AWG 16-14	PIDG	408-78049	WITH COVER




RELEASED FOR PUBLICATION

ALL RIGHTS RESERVED.

© COPYRIGHT - By Tyco Electronics Japan G.K.

THIS DRAWING IS UNPUBLISHED.

DIMENSIONS: mm	DWN S.NAKA	27SEP2013	MATERIAL	COMMERCIAL ITEM	FINISH	—	
	CHK S.NAKA	27SEP2013	 TE Connectivity				
TOLERANCES UNLESS OTHERWISE SPECIFIED:  0 PLC ± — 1 PLC ± — 2 PLC ± — 3 PLC ± — 4 PLC ± — ANGLES ± —	APVD J.KOGA	27SEP2013					NAME
	PRODUCT SPEC	—	SIZE	CAGE CODE	DRAWING NO	RESTRICTED TO	
	APPLICATION SPEC	—	A4	00779	C-2155399	—	
	WEIGHT	486g	CUSTOMER DRAWING			SCALE	1:1
						SHEET	1 of 1
						REV	B