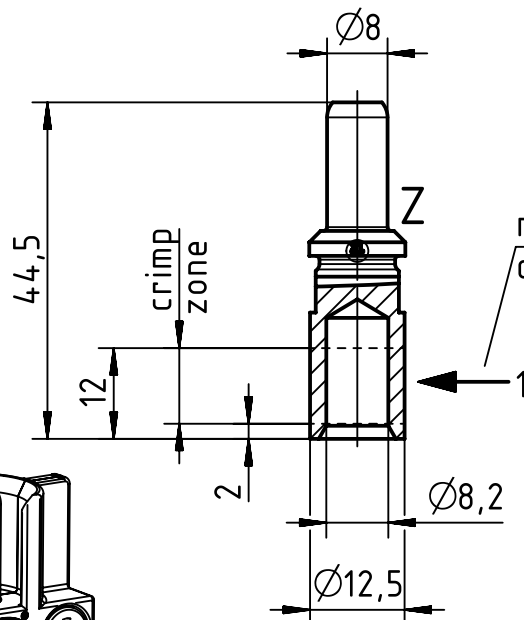
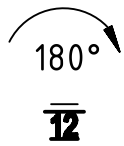
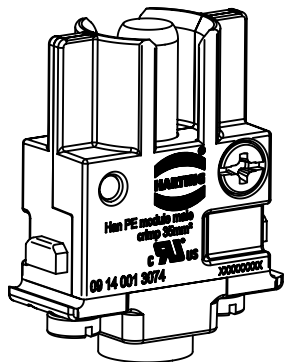


Z (2:1)



number of crimps

assembly notes see catalog
 crimp zone acc. to DIN EN 46235 indicator 12
 for stranded fone wire acc. to VDE 0295 class 5 / IEC 60228 class 5
 wire gauge 35mm²
 stripping length: 16mm
 All component parts are enclosed separately



	All Dimensions in mm Original Size DIN A4		Scale 1:1	Free size tol.		Ref.
	All rights reserved Department EL PD - DE		Created by DICK	Inspected by SCHLEGEL	Standardisation TIEMANNA	Date 2016-05-11
HARTING Electric GmbH & Co. KG D-32339 Espelkamp			Title Han PE-module male crimp 35qmm			Doc-Key / ECM-Nr. 100614415/UGD/002/B 500000104304
			Type TB	Number 09 14 001 3074		Rev. B Page 1/1